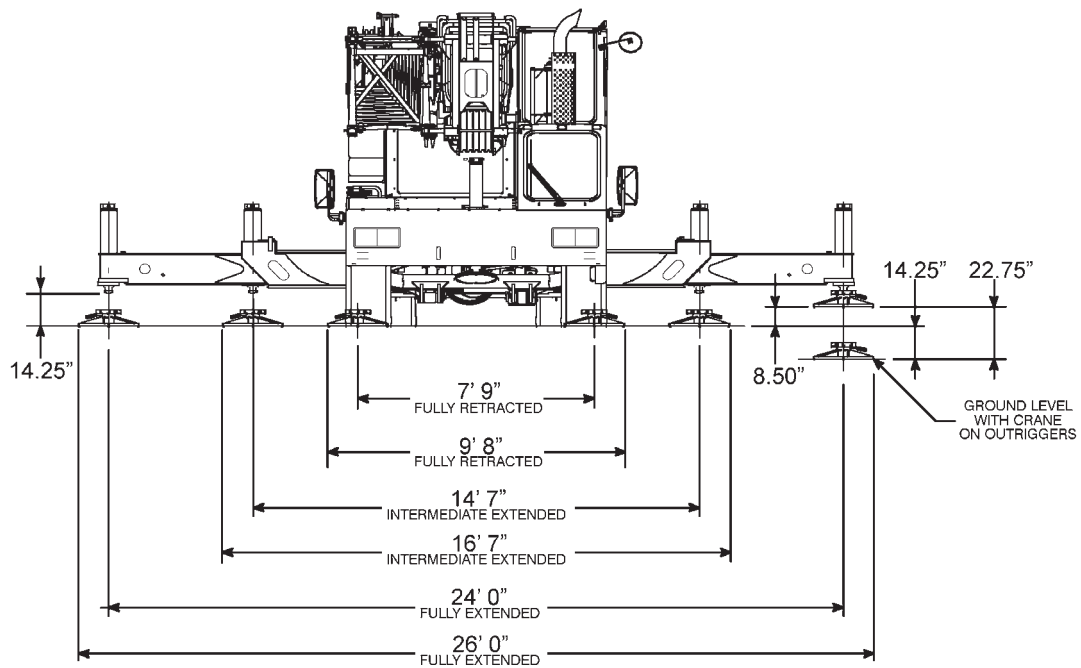
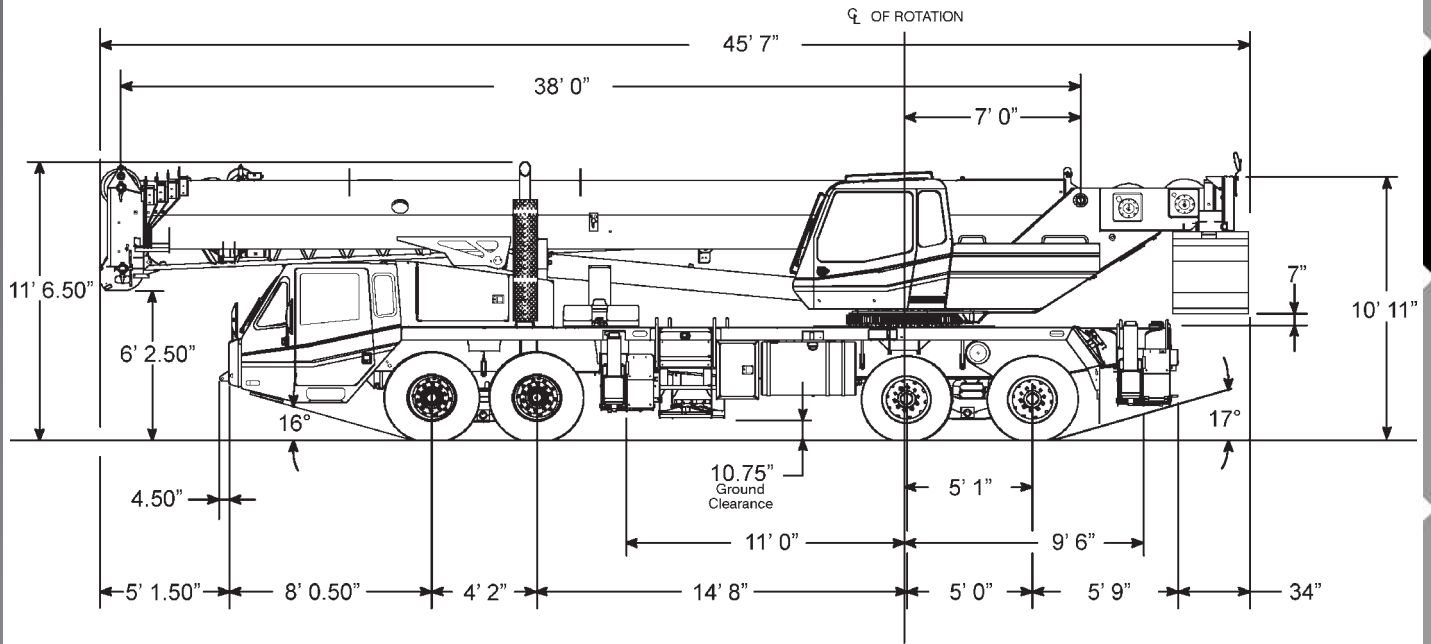


90 t Hydraulic Truck Crane



All information given are for reference only.

General Information

Hydraulic Truck Cranes

Crawler Cranes

Carry Decks

Rough Terrain Cranes

Rigging Equipment

Aerial Lifts

Transportation

90 t Hydraulic Truck Crane

LINK BELT HTC 8690



General Information

Hydraulic Truck Cranes

Crawler Cranes

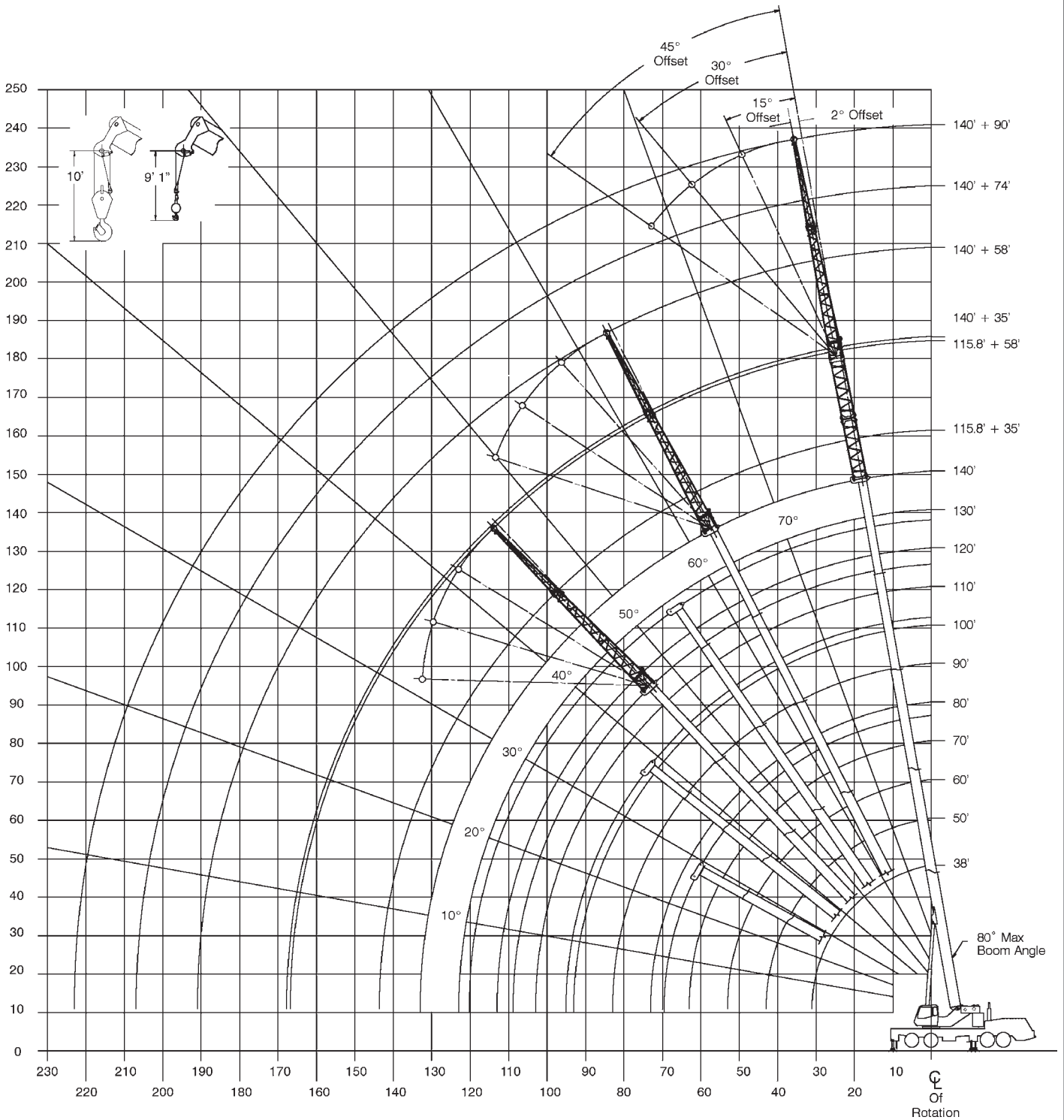
Carry Decks

Rough Terrain Cranes

Rigging Equipment

Aerial Lifts

Transportation



All information given are for reference only.


 38-140 ft


 39,500 lbs


 20'6"x24'


 360°

85
 85%

All information given are for reference only.

| ft | 38 | 50 | 60 | 70 | 80 | 90 | 100 | 110 | 120 | 130 | 140 | ft |
|-----|-------|-------|-------|------|------|------|------|------|------|------|------|-----|
| 8 | 180 | | | | | | | | | | | 8 |
| 9 | 167.6 | | | | | | | | | | | 9 |
| 10 | 158.8 | 152.1 | 117.9 | 89.7 | | | | | | | | 10 |
| 12 | 143.6 | 138.7 | 108.8 | 85 | 85.1 | | | | | | | 12 |
| 15 | 123.7 | 122.6 | 106.5 | 78.8 | 78.4 | 57.7 | | | | | | 15 |
| 20 | 91.3 | 93.5 | 93.8 | 70.3 | 76.5 | 56.2 | 49.1 | 42.5 | | | | 20 |
| 25 | 71 | 73.3 | 73.8 | 63.6 | 73.3 | 55.3 | 45.8 | 42.5 | 33.7 | 29.7 | | 25 |
| 30 | 57.2 | 59.6 | 60.1 | 58.1 | 61.1 | 54.5 | 45.2 | 38.3 | 31.2 | 29.4 | 24.4 | 30 |
| 35 | | 49.7 | 50.3 | 51.4 | 51.2 | 50.9 | 42.5 | 35.5 | 30.9 | 29.1 | 24.1 | 35 |
| 40 | | 42.2 | 43.7 | 44 | 43.8 | 43.4 | 38.2 | 33.4 | 30.6 | 28.8 | 24 | 40 |
| 45 | | | 37.9 | 38.2 | 38.1 | 37.7 | 34.6 | 30.3 | 29.9 | 28.6 | 23.8 | 45 |
| 50 | | | 32.4 | 32.7 | 32.5 | 32 | 31.5 | 27.9 | 27.8 | 26.8 | 23.7 | 50 |
| 55 | | | | 28.2 | 28 | 27.6 | 27.3 | 25.6 | 25.8 | 24.8 | 23.6 | 55 |
| 60 | | | | 24.6 | 24.5 | 24.1 | 24.1 | 23.6 | 24.2 | 23 | 22.1 | 60 |
| 65 | | | | | 21.5 | 22.3 | 21.1 | 21.4 | 21.6 | 21.3 | 20.6 | 65 |
| 70 | | | | | 19.7 | 19.9 | 18.7 | 19.5 | 19.1 | 19.2 | 19.2 | 70 |
| 75 | | | | | | 17.7 | 17.5 | 17.4 | 17 | 17.7 | 17.4 | 75 |
| 80 | | | | | | 16 | 16 | 15.6 | 15.9 | 15.9 | 15.6 | 80 |
| 85 | | | | | | | 14.6 | 14.6 | 14.8 | 14.4 | 14.1 | 85 |
| 90 | | | | | | | 13.8 | 13.7 | 13.4 | 13 | 12.7 | 90 |
| 95 | | | | | | | | 12.5 | 12.3 | 11.9 | 11.6 | 95 |
| 100 | | | | | | | | 11.5 | 11.2 | 10.9 | 10.6 | 100 |
| 105 | | | | | | | | | 10.2 | 9.9 | 9.6 | 105 |
| 110 | | | | | | | | | 9.4 | 9 | 8.8 | 110 |
| 115 | | | | | | | | | | 8.3 | 8 | 115 |
| 120 | | | | | | | | | | 7.5 | 7.3 | 120 |
| 125 | | | | | | | | | | | 6.6 | 125 |
| 130 | | | | | | | | | | | 6 | 130 |

General Information

Hydraulic Truck Cranes

Crawler Cranes

Carry Decks

Rough Terrain Cranes

Rigging Equipment

Aerial Lifts

Transportation

90 t Hydraulic Truck Crane

LINK BELT HTC 8690



38-140 ft



11,500 lbs



20'6"x24'



360°

85

85%

General Information

Hydraulic Truck Cranes

Crawler Cranes

Carry Decks

Rough Terrain Cranes

Rigging Equipment

Aerial Lifts

Transportation

| ft | 38 | 50 | 60 | 70 | 80 | 90 | 100 | 110 | 120 | 130 | 140 | ft |
|-----|-------|-------|-------|------|------|------|------|------|------|------|------|-----|
| 9 | 165 | | | | | | | | | | | 9 |
| 10 | 155.4 | 152.1 | 117.9 | 89.7 | | | | | | | | 10 |
| 12 | 131.9 | 133.9 | 108.8 | 85 | 85.1 | | | | | | | 12 |
| 15 | 104.6 | 106.7 | 106.5 | 78.8 | 78.4 | 57.7 | | | | | | 15 |
| 20 | 76.4 | 78.6 | 79 | 70.3 | 76.5 | 56.2 | 49.1 | 42.5 | | | | 20 |
| 25 | 57.8 | 61 | 61.5 | 63 | 62.7 | 55.3 | 45.8 | 42.5 | 33.7 | 29.7 | | 25 |
| 30 | 42.3 | 46 | 47.1 | 47.3 | 47 | 46.5 | 45.2 | 38.3 | 31.2 | 29.4 | 24.4 | 30 |
| 35 | | 35.3 | 36.3 | 36.5 | 36.3 | 36.2 | 35.7 | 35.1 | 30.9 | 29.1 | 24.1 | 35 |
| 40 | | 27.9 | 29 | 29.7 | 29.9 | 29.9 | 29.8 | 29.3 | 28.8 | 28.7 | 24 | 40 |
| 45 | | | 23.9 | 24.5 | 25.1 | 24.7 | 24.9 | 25.4 | 25 | 24.6 | 23.8 | 45 |
| 50 | | | 20.3 | 21.1 | 21.5 | 21.4 | 21.5 | 21.4 | 21 | 20.6 | 20.3 | 50 |
| 55 | | | | 17.9 | 18.3 | 18.5 | 18.4 | 18.2 | 17.9 | 17.5 | 17.1 | 55 |
| 60 | | | | 15.3 | 15.7 | 15.9 | 15.7 | 15.6 | 15.3 | 14.9 | 14.5 | 60 |
| 65 | | | | | 13.6 | 13.7 | 13.6 | 13.5 | 13.1 | 12.7 | 12.5 | 65 |
| 70 | | | | | 11.8 | 12.1 | 11.9 | 11.8 | 11.5 | 11.1 | 10.8 | 70 |
| 75 | | | | | | 10.6 | 10.5 | 10.4 | 10 | 9.7 | 9.3 | 75 |
| 80 | | | | | | 9.3 | 9.2 | 9.1 | 8.8 | 8.4 | 8.1 | 80 |
| 85 | | | | | | | 8.1 | 8 | 7.7 | 7.3 | 7 | 85 |
| 90 | | | | | | | 7.1 | 7.1 | 6.7 | 6.4 | 6.1 | 90 |
| 95 | | | | | | | | 6.2 | 5.9 | 5.6 | 5.2 | 95 |
| 100 | | | | | | | | 5.5 | 5.2 | 4.8 | 4.5 | 100 |
| 105 | | | | | | | | | 4.5 | 4.2 | 3.9 | 105 |
| 110 | | | | | | | | | 3.9 | 3.6 | 3.3 | 110 |
| 115 | | | | | | | | | | 3.1 | 2.8 | 115 |
| 120 | | | | | | | | | | 2.6 | 2.3 | 120 |
| 125 | | | | | | | | | | | 1.8 | 125 |
| 130 | | | | | | | | | | | 1.4 | 130 |

All information given are for reference only.



140 ft



35/58/74/90 ft



39,500 lbs



20'6"x24'



360°

85

85%

All information given are for reference only.

| ft | 35 | | | | 58 | | | | 74 | | | | 90 | | | | ft | |
|-----|------|------|-----|-----|-----|-----|-----|-----|-----|-----|-----|-----|-----|-----|-----|-----|----|-----|
| | 2° | 15° | 30° | 45° | 2° | 15° | 30° | 45° | 2° | 15° | 30° | 45° | 2° | 15° | 30° | 45° | | |
| 35 | 12.1 | | | | | | | | | | | | | | | | | 35 |
| 40 | 12.1 | | | | | | | | | | | | | | | | | 40 |
| 45 | 12.1 | 11.5 | | | 8.5 | | | | | | | | | | | | | 45 |
| 50 | 12.1 | 11.4 | | | 8.4 | | | | 6.6 | | | | | | | | | 50 |
| 55 | 12.1 | 11.2 | 10 | | 8.3 | | | | 6.6 | | | | 5.2 | | | | | 55 |
| 60 | 12.1 | 11 | 9.8 | | 8.1 | 7.2 | | | 6.6 | | | | 5.2 | | | | | 60 |
| 65 | 11.9 | 10.8 | 9.7 | 8.8 | 8 | 7 | | | 6.6 | 6.3 | | | 5.2 | | | | | 65 |
| 70 | 11.7 | 10.6 | 9.5 | 8.8 | 7.8 | 6.8 | | | 6.6 | 6 | | | 5.2 | 4.8 | | | | 70 |
| 75 | 11.5 | 10.4 | 9.4 | 8.7 | 7.7 | 6.7 | 5.7 | | 6.6 | 5.7 | 4.6 | | 5.1 | 4.5 | | | | 75 |
| 80 | 11.3 | 10.2 | 9.2 | 8.6 | 7.5 | 6.5 | 5.6 | | 6.4 | 5.4 | 4.4 | | 4.8 | 4.2 | 3.6 | | | 80 |
| 85 | 11 | 10 | 9.1 | 8.6 | 7.3 | 6.3 | 5.5 | 4.9 | 6 | 5.1 | 4.2 | 3.7 | 4.5 | 4 | 3.4 | | | 85 |
| 90 | 10.5 | 9.7 | 9 | 8.5 | 7.1 | 6.2 | 5.4 | 4.9 | 5.7 | 4.9 | 4.1 | 3.5 | 4.2 | 3.7 | 3.2 | 2.9 | | 90 |
| 95 | 10.1 | 9.4 | 8.8 | 8.4 | 6.9 | 6 | 5.3 | 4.8 | 5.4 | 4.6 | 3.9 | 3.4 | 4 | 3.5 | 3 | 2.7 | | 95 |
| 100 | 9.7 | 9 | 8.5 | 8.2 | 6.7 | 5.9 | 5.2 | 4.8 | 5.1 | 4.4 | 3.7 | 3.3 | 3.7 | 3.3 | 2.9 | 2.6 | | 100 |
| 105 | 9.3 | 8.7 | 8.2 | 8 | 6.5 | 5.7 | 5.1 | 4.7 | 4.9 | 4.2 | 3.6 | 3.2 | 3.5 | 3.1 | 2.7 | 2.4 | | 105 |
| 110 | 8.9 | 8.4 | 8 | 7.8 | 6.3 | 5.6 | 5 | 4.7 | 4.7 | 4.1 | 3.5 | 3.1 | 3.3 | 3 | 2.6 | 2.3 | | 110 |
| 115 | 8.5 | 8.1 | 7.7 | 7.6 | 6 | 5.5 | 4.9 | 4.7 | 4.5 | 3.9 | 3.3 | 3 | 3.2 | 2.8 | 2.4 | 2.2 | | 115 |
| 120 | 7.8 | 7.9 | 7.5 | 7.4 | 5.8 | 5.3 | 4.8 | 4.6 | 4.3 | 3.7 | 3.2 | 2.9 | 3 | 2.7 | 2.3 | 2.1 | | 120 |
| 125 | 7.1 | 7.4 | 7.3 | 7.2 | 5.6 | 5.1 | 4.7 | 4.5 | 4.1 | 3.6 | 3.1 | 2.8 | 2.8 | 2.5 | 2.2 | 2 | | 125 |
| 130 | 6.5 | 6.8 | 7 | 7.1 | 5.3 | 4.9 | 4.5 | 4.4 | 3.9 | 3.5 | 3 | 2.7 | 2.7 | 2.4 | 2.1 | 1.9 | | 130 |
| 135 | 6 | 6.2 | 6.4 | 6.4 | 5.2 | 4.7 | 4.4 | 4.3 | 3.8 | 3.3 | 2.9 | 2.7 | 2.5 | 2.3 | 2 | 1.8 | | 135 |
| 140 | 5.5 | 5.7 | 5.8 | | 5 | 4.6 | 4.3 | 4.2 | 3.6 | 3.2 | 2.8 | 2.6 | 2.4 | 2.2 | 1.9 | 1.8 | | 140 |
| 145 | 5 | 5.2 | 5.3 | | 4.8 | 4.4 | 4.2 | 4.1 | 3.5 | 3.1 | 2.8 | 2.6 | 2.3 | 2.1 | 1.8 | 1.7 | | 145 |
| 150 | 4.5 | 4.7 | 4.8 | | 4.7 | 4.3 | 4.1 | 4 | 3.4 | 3 | 2.7 | 2.5 | 2.2 | 2 | 1.7 | 1.6 | | 150 |
| 155 | 4.1 | 4.3 | 4.3 | | 4.5 | 4.2 | 4 | 4 | 3.2 | 2.9 | 2.6 | 2.5 | 2.1 | 1.9 | 1.7 | 1.6 | | 155 |
| 160 | 3.7 | 3.8 | | | 4.1 | 4.1 | 3.9 | 4 | 3.1 | 2.9 | 2.6 | 2.5 | 2 | 1.8 | 1.6 | 1.5 | | 160 |
| 165 | 3.4 | 3.4 | | | 3.7 | 4 | 3.9 | 4 | 3.1 | 2.8 | 2.5 | 2.5 | 1.9 | 1.7 | 1.5 | 1.5 | | 165 |
| 170 | | | | | 3.4 | 3.6 | 3.7 | | 3 | 2.7 | 2.5 | 2.5 | 1.8 | 1.6 | 1.5 | 1.4 | | 170 |
| 175 | | | | | 3 | 3.2 | 3.3 | | 2.8 | 2.7 | 2.5 | 2.5 | 1.8 | 1.6 | 1.4 | 1.4 | | 175 |
| 180 | | | | | 2.7 | 2.9 | 2.9 | | 2.5 | 2.6 | 2.5 | | 1.7 | 1.5 | 1.4 | 1.4 | | 180 |
| 185 | | | | | 2.4 | 2.5 | | | 2.2 | 2.4 | 2.5 | | 1.6 | 1.5 | 1.4 | 1.4 | | 185 |
| 190 | | | | | | | | | 1.9 | 2.1 | 2.2 | | 1.6 | 1.4 | 1.3 | 1.4 | | 190 |
| 195 | | | | | | | | | 1.7 | 1.8 | 1.9 | | 1.5 | 1.4 | 1.3 | | | 195 |
| 200 | | | | | | | | | 1.4 | 1.5 | | | 1.3 | 1.4 | 1.3 | | | 200 |
| 205 | | | | | | | | | | | | | 1.1 | 1.3 | 1.3 | | | 205 |
| 210 | | | | | | | | | | | | | 0.9 | 1 | 1.1 | | | 210 |
| 215 | | | | | | | | | | | | | | 0.8 | | | | 215 |

General Information

Hydraulic Truck Cranes

Crawler Cranes

Carry Decks

Rough Terrain Cranes

Rigging Equipment

Aerial Lifts

Transportation

90 t Hydraulic Truck Crane

LINK BELT HTC 8690



General Information



140 ft



35/58/74 ft



11,500 lbs



20'6"x24'



360°

85

85%

Hydraulic Truck Cranes

Crawler Cranes

Carry Decks

Rough Terrain Cranes

Rigging Equipment

Aerial Lifts

Transportation

| ft | 35 | | | | 58 | | | | 74 | | | | ft |
|-----|------|------|-----|-----|-----|-----|-----|-----|-----|-----|-----|-----|-----|
| | 2° | 15° | 30° | 45° | 2° | 15° | 30° | 45° | 2° | 15° | 30° | 45° | |
| 35 | 12.1 | | | | | | | | | | | | 35 |
| 40 | 12.1 | | | | | | | | | | | | 40 |
| 45 | 12.1 | 11.5 | | | 8.5 | | | | | | | | 45 |
| 50 | 12.1 | 11.4 | | | 8.4 | | | | 6.6 | | | | 50 |
| 55 | 12.1 | 11.2 | 10 | | 8.3 | | | | 6.6 | | | | 55 |
| 60 | 12.1 | 11 | 9.8 | | 8.1 | 7.2 | | | 6.6 | | | | 60 |
| 65 | 11.9 | 10.8 | 9.7 | 8.8 | 8 | 7 | | | 6.6 | 6.3 | | | 65 |
| 70 | 11.5 | 10.6 | 9.5 | 8.8 | 7.8 | 6.8 | | | 6.6 | 6 | | | 70 |
| 75 | 10 | 10.4 | 9.4 | 8.7 | 7.7 | 6.7 | 5.7 | | 6.6 | 5.7 | 4.6 | | 75 |
| 80 | 8.7 | 9.4 | 9.2 | 8.6 | 7.5 | 6.5 | 5.6 | | 6.4 | 5.4 | 4.4 | | 80 |
| 85 | 7.6 | 8.2 | 8.8 | 8.6 | 7.3 | 6.3 | 5.5 | 4.9 | 6 | 5.1 | 4.2 | 3.7 | 85 |
| 90 | 6.7 | 7.2 | 7.7 | 8.1 | 7.1 | 6.2 | 5.4 | 4.9 | 5.7 | 4.9 | 4.1 | 3.5 | 90 |
| 95 | 5.8 | 6.3 | 6.8 | 7.2 | 6.3 | 6 | 5.3 | 4.8 | 5.4 | 4.6 | 3.9 | 3.4 | 95 |
| 100 | 5.1 | 5.5 | 6 | 6.3 | 5.5 | 5.9 | 5.2 | 4.8 | 5.1 | 4.4 | 3.7 | 3.3 | 100 |
| 105 | 4.4 | 4.8 | 5.2 | 5.5 | 4.9 | 5.6 | 5.1 | 4.7 | 4.8 | 4.2 | 3.6 | 3.2 | 105 |
| 110 | 3.8 | 4.2 | 4.5 | 4.8 | 4.3 | 4.9 | 5 | 4.7 | 4.2 | 4.1 | 3.5 | 3.1 | 110 |
| 115 | 3.3 | 3.6 | 3.9 | 4.1 | 3.7 | 4.3 | 4.9 | 4.7 | 3.6 | 3.9 | 3.3 | 3 | 115 |
| 120 | 2.8 | 3.1 | 3.4 | 3.5 | 3.2 | 3.8 | 4.3 | 4.6 | 3.1 | 3.6 | 3.2 | 2.9 | 120 |
| 125 | 2.3 | 2.6 | 2.9 | 3 | 2.8 | 3.3 | 3.8 | 4.1 | 2.7 | 3.1 | 3.1 | 2.8 | 125 |
| 130 | 1.9 | 2.2 | 2.4 | 2.5 | 2.3 | 2.8 | 3.3 | 3.6 | 2.2 | 2.7 | 3 | 2.7 | 130 |
| 135 | 1.6 | 1.8 | 2 | 2 | 2 | 2.4 | 2.8 | 3.1 | 1.9 | 2.3 | 2.7 | 2.7 | 135 |
| 140 | 1.2 | 1.4 | 1.6 | | 1.6 | 2 | 2.4 | 2.6 | 1.5 | 1.9 | 2.3 | 2.6 | 140 |
| 145 | 0.9 | 1.1 | 1.2 | | 1.3 | 1.7 | 2 | 2.2 | 1.2 | 1.5 | 1.9 | 2.2 | 145 |
| 150 | | | 0.9 | | | 1.3 | 1.6 | 1.8 | | 1.2 | 1.6 | 1.8 | 150 |
| 155 | | | | | | 1 | 1.3 | 1.4 | | | 1.2 | 1.4 | 155 |
| 160 | | | | | | | 1 | 1 | | | 0.9 | 1.1 | 160 |
| 165 | | | | | | | | | | | | 0.8 | 165 |

All information given are for reference only.