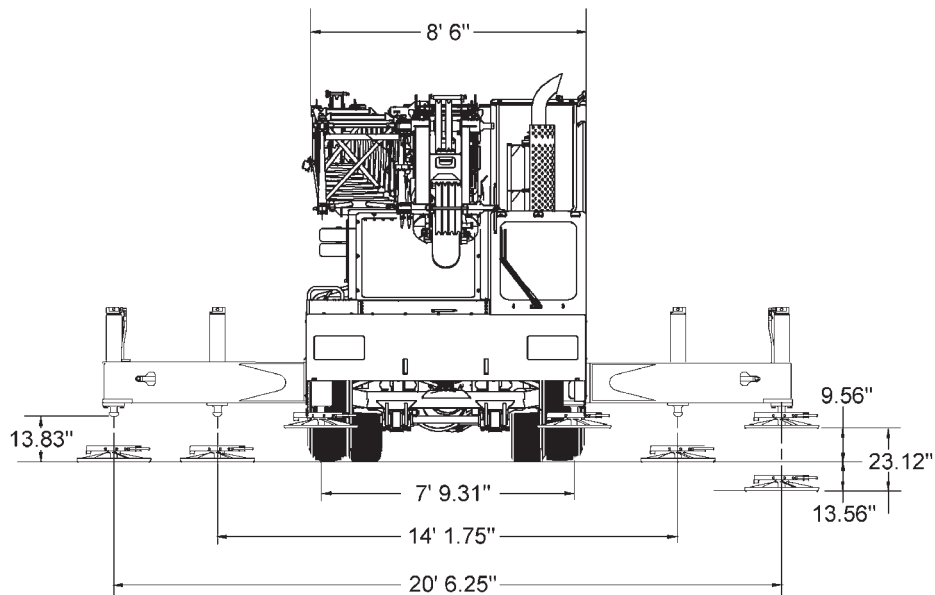
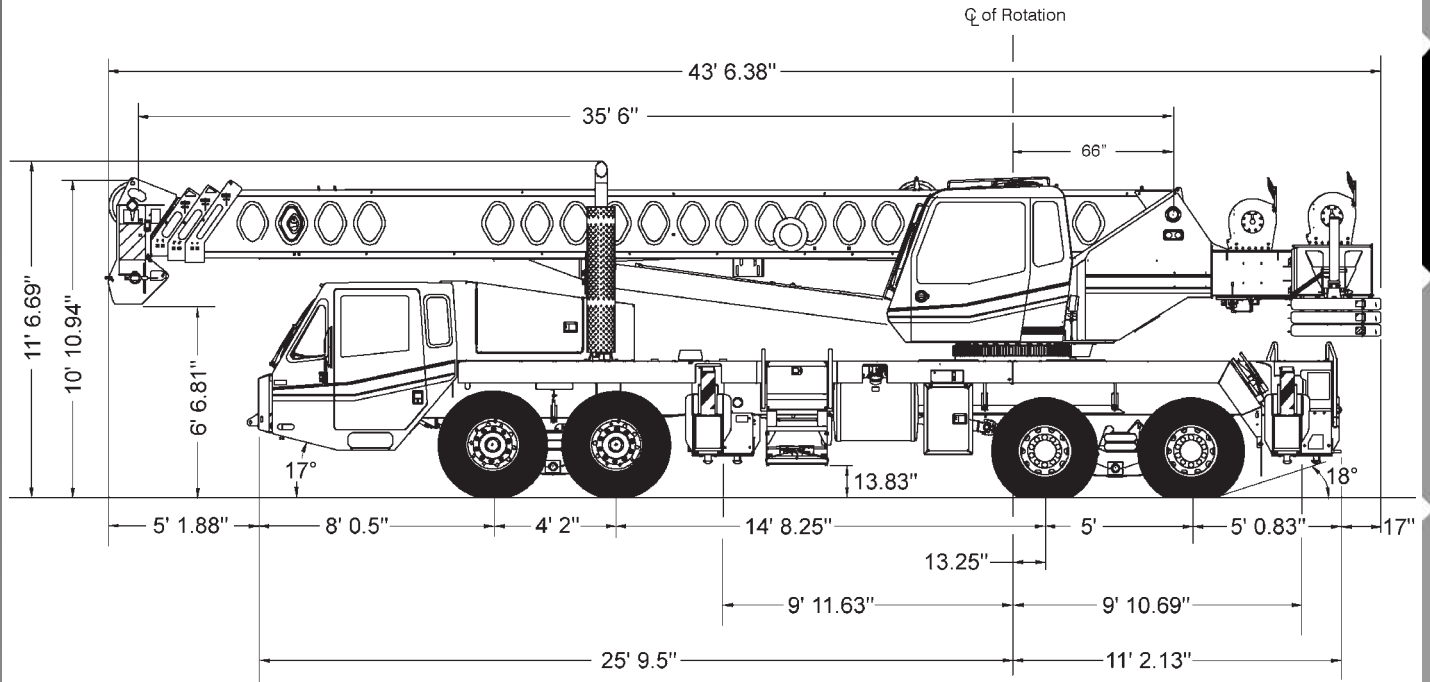


60 t Hydraulic Truck Crane



All information given are for reference only.

General Information

Hydraulic Truck Cranes

Crawler Cranes

Carry Decks

Rough Terrain Cranes

Rigging Equipment

Aerial Lifts

Transportation

60 t Hydraulic Truck Crane

LINK BELT HTC 8660



General Information

Hydraulic Truck Cranes

Crawler Cranes

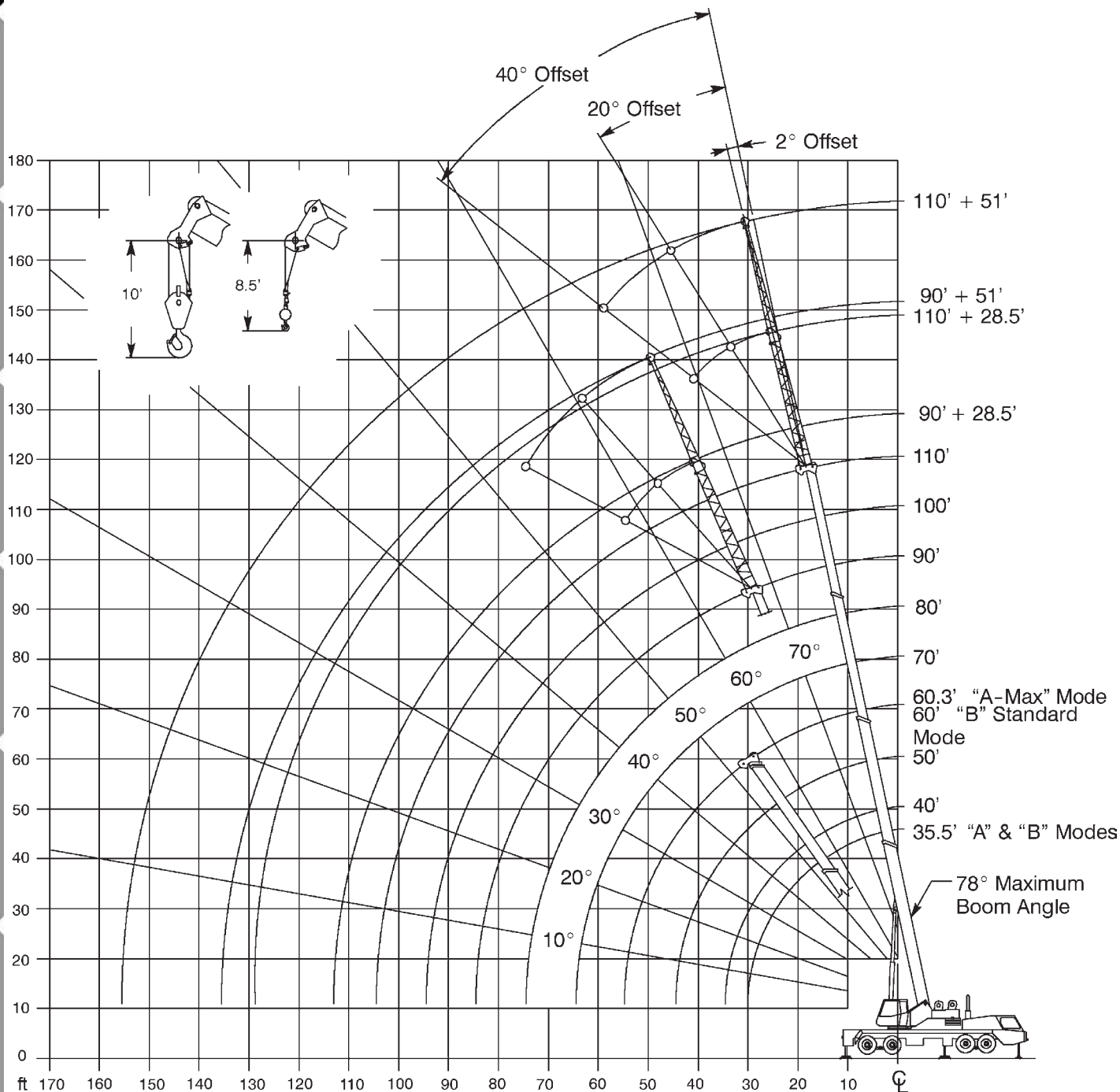
Carry Decks

Rough Terrain Cranes

Rigging Equipment

Aerial Lifts

Transportation



All information given are for reference only.


 35.5-110 ft


 15,100 lbs


 19'10"x20'6"


 360°

85
 85%

General Information

Hydraulic Truck Cranes

Crawler Cranes

Carry Decks

Rough Terrain Cranes

Rigging Equipment

Aerial Lifts

Transportation

All information given are for reference only.

ft	35.5	40	50	60	70	80	90	100	110	ft
7	120*									7
10	100	80.9	72.8							10
12	76	73.2	65.8	50.9	37.9					12
15	65.8	63.6	57.7	47.3	37.9	35.4				15
20	53.4	52	47.5	39.3	37.9	34.7	28.9			20
25	41.9	41.7	40.3	37.9	37.9	34.3	28.3	24	19.5	25
30		32.9	33.6	33.9	32.9	30.4	24.9	22.6	19.5	30
35			25.4	25.8	25.9	26.1	22.1	20.1	18.5	35
40			19.9	20.4	20.6	20.7	19.8	18	16.5	40
45				16.5	16.7	16.8	16.9	16.2	14.7	45
50				13.5	13.8	13.9	14	14.1	13.3	50
55					11.5	11.7	11.8	11.8	11.9	55
60					9.7	9.9	10	10.1	10.2	60
65						8.4	8.6	8.6	8.7	65
70						7.1	7.3	7.4	7.5	70
75							6.2	6.3	6.4	75
80							5.3	5.4	5.5	80
85								4.6	4.7	85
90								4	4	90
95									3.4	95
100									2.9	100

*Special conditions or wire rope required

60 t Hydraulic Truck Crane

LINK BELT HTC 8660



General Information



110 ft



28,5/51 ft



15,100 lbs



19'10"x20'6"



360°

85

85%

Hydraulic Truck Cranes

Crawler Cranes

Carry Decks

Rough Terrain Cranes

Rigging Equipment

Aerial Lifts

Transportation

ft	2°	28.5 20°	40°	2°	51 20°	40°	ft
35	9.4						35
40	9.4						40
45	9.4	9.6		6.2			45
50	9.4	9.2	7.6	6.2			50
55	9.3	8.6	7.4	6.2			55
60	8.6	8	7.2	6.2	4.9		60
65	8	7.4	7	6.1	4.7		65
70	7.5	7	6.6	5.8	4.5		70
75	7	6.5	6.2	5.4	4.3	3.5	75
80	6.1	6.2	5.9	5	4.2	3.4	80
85	5.3	5.7	5.2	4.7	4	3.3	85
90	4.6	5	4.4	4.4	3.9	3.3	90
95	4	4.3	3.8	4.1	3.7	3.2	95
100	3.5	3.7	3.2	3.9	3.6	3.2	100
105	3	3.2	2.7	3.4	3.4	3.1	105
110	2.5	2.7	2.2	3	3.3	3.1	110
115	2.2	2.3		2.6	3	3	115
120	1.8	1.9		2.2	2.6	2.8	120
125	1.5	1.5		1.9	2.2	2.4	125
130	1.2			1.6	1.9	2	130
135				1.3	1.6	1.7	135
140					1.3		140

All information given are for reference only.