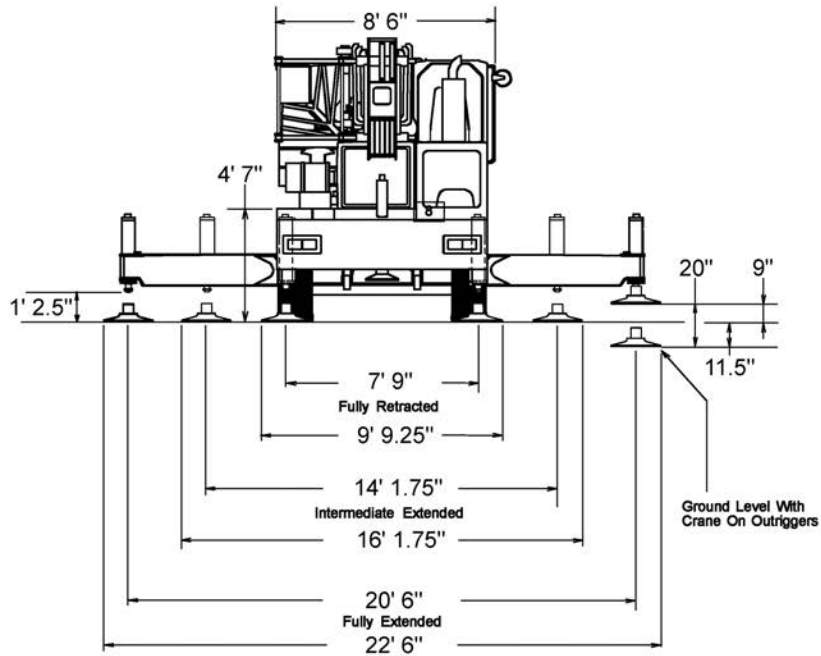
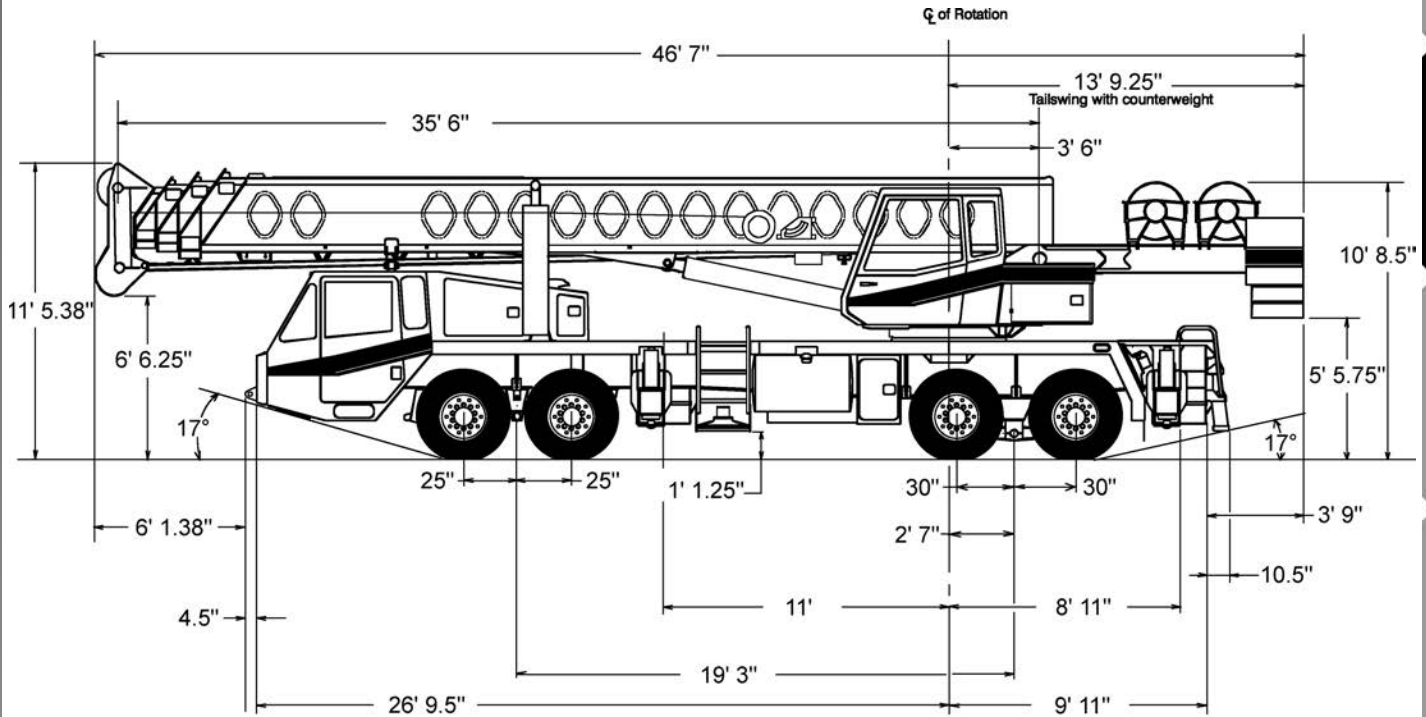


50 t Hydraulic Truck Crane



All information given are for reference only.

General Information

Hydraulic Truck Cranes

Crawler Cranes

Carry Decks

Rough Terrain Cranes

Rigging Equipment

Aerial Lifts

Transportation

50 t Hydraulic Truck Crane

LINK BELT HTC 8650



General Information

Hydraulic Truck Cranes

Crawler Cranes

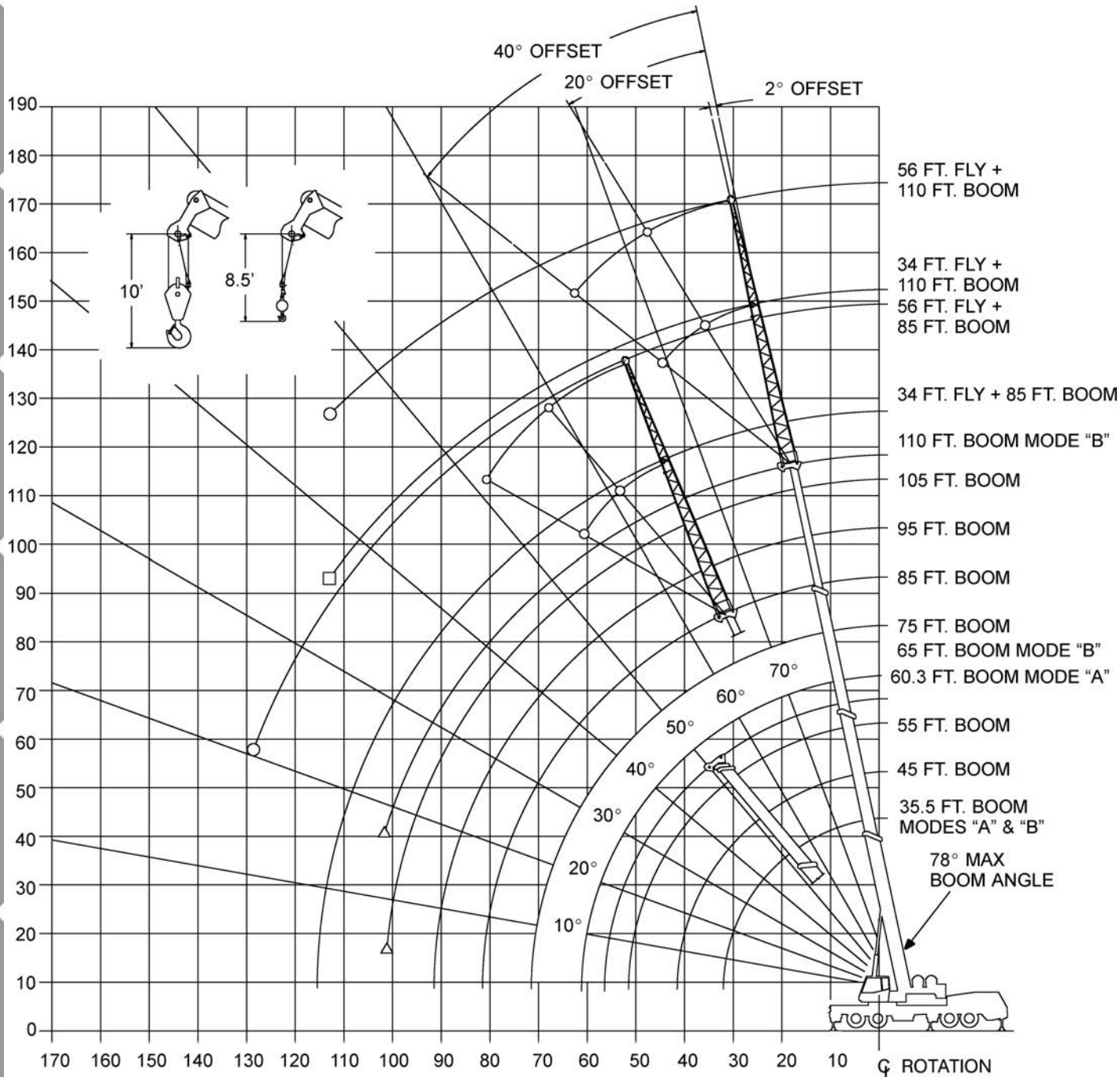
Carry Decks

Rough Terrain Cranes

Rigging Equipment

Aerial Lifts

Transportation



All information given are for reference only.


 35.5-60.3 ft
 MODE „A“


11,000 lbs



19'11"x20'6"



360°

85

85%

ft	35.5	45	55	60.3	ft
10	100	87.1	79.5		10
12	96.7	87.1	72.2	61.3	12
15	82.5	82.1	63.3	57.6	15
20	64.1	63.7	52.1	47.1	20
25	47.3	46.5	44	39.5	25
30	32.8	32.5	32	31.8	30
35		24	23.7	23.5	35
40		18.2	18.1	18	40
45			14.1	14	45
50			11	11	50
55				8.6	55


 35.5-110 ft
 MODE „B“


11,000 lbs



19'11"x20'6"



360°

85

85%

ft	35.5	45	55	65	75	85	95	105	110	ft
10	100	42	42							10
12	96.7	42	42	42						12
15	82.5	42	42	42	42					15
20	64.1	42	42	42	42	35.9	31.8			20
25	47.3	42	42	42	41.7	31.5	28.3	25.7	22.6	25
30	32.8	34	34.6	34.9	35.1	28.1	25.3	23.1	22.1	30
35		25.5	26	26.3	26.5	25.4	22.8	20.9	20	35
40		19.5	20.4	20.7	20.9	21.1	20.8	19	18.3	40
45			16.2	16.6	16.8	17	17.1	17.2	16.7	45
50			13	13.6	13.8	13.9	14	14.1	14.1	50
55				11.2	11.5	11.6	11.8	11.9	11.9	55
60				9.1	9.6	9.7	9.9	10	10	60
65					7.9	8.2	8.3	8.4	8.4	65
70					6.6	6.9	7	7.1	7.1	70
75						5.7	5.9	6	6.1	75
80						4.7	4.9	5.1	5.1	80
85							4.1	4.3	4.3	85
90							3.3	3.5	3.6	90
95								2.9	2.9	95
100								2.3	2.3	100

All information given are for reference only.

General Information

Hydraulic Truck Cranes

Crawler Cranes

Carry Decks

Rough Terrain Cranes

Rigging Equipment

Aerial Lifts

Transportation

50 t Hydraulic Truck Crane

LINK BELT HTC 8650



35.5-60.3 ft
MODE „A“



11,000 lbs



19'11" x 20'6"



over rear

85

85%

ft	35.5	45	55	60.3	ft
10	100	87.1	79.5		10
12	96.7	87.1	72.2	61.3	12
15	82.5	82.1	63.3	57.6	15
20	64.1	63.7	52.1	47.1	20
25	49.5	49.2	44	39.5	25
30	37.1	37	36.5	33.9	30
35		28	27.7	27.5	35
40		21.8	21.8	21.6	40
45			17.3	17.3	45
50			13.9	13.9	50
55				11.3	55



35.5-110 ft
MODE „B“



11,000 lbs



19'11" x 20'6"



over rear

85

85%

ft	35.5	45	55	65	75	85	95	105	110	ft
10	100	42	42							10
12	96.7	42	42	42						12
15	82.5	42	42	42	42					15
20	64.1	42	42	42	42	35.9	31.8			20
25	49.5	42	42	42	41.7	31.5	28.3	25.7	22.6	25
30	37.1	38.4	38.9	39.1	37.1	28.1	25.3	23.1	22.1	30
35		29.3	30	30.3	30.4	25.4	22.8	20.9	20	35
40		23	23.9	24.2	24.4	23	20.8	19	18.3	40
45			19.4	19.8	20	20.2	19	17.4	16.7	45
50			15.9	16.4	16.7	16.8	16.9	15.9	15.2	50
55				13.7	14.1	14.2	14.3	14.4	13.9	55
60				11.6	12	12.2	12.3	12.4	12.4	60
65					10.2	10.4	10.6	10.7	10.7	65
70					8.6	8.9	9.1	9.2	9.2	70
75						7.7	7.9	8	8	75
80						6.5	6.8	6.9	7	80
85							5.8	6	6	85
90							4.9	5.1	5.2	90
95								4.4	4.5	95
100								3.7	3.8	100

All information given are for reference only.



85 ft



34/56 ft



11,000 lbs



19'11"x20'6"



360°

85

85%

General Information

Hydraulic Truck Cranes

Crawler Cranes

Carry Decks

Rough Terrain Cranes

Rigging Equipment

Aerial Lifts

Transportation

All information given are for reference only.

ft	2°	34 20°	40°	2°	56 20°	40°	ft
25	18.6						25
30	17						30
35	15.6	11		11.1			35
40	14.5	10.5		10.5			40
45	13.6	10.1	8.2	9.6			45
50	12.7	9.6	7.9	8.8	6.2		50
55	11.9	9.3	7.6	8.1	5.9		55
60	11.1	8.9	7.4	7.6	5.6		60
65	9.6	8.6	7.2	7	5.3	4.2	65
70	8.3	8.2	7	6.6	5	4	70
75	7.2	7.8	6.8	6.2	4.8	3.9	75
80	6.2	6.8	6.7	5.8	4.6	3.8	80
85	5.4	5.9	6.3	5.5	4.4	3.7	85
90	4.7	5.1	5.6	5.2	4.2	3.6	90
95	4	4.4	4.6	4.6	4	3.5	95
100	3.4	3.7		4	3.9	3.5	100
105	2.9	3.1		3.5	3.8	3.4	105
110	2.4	2.6		3	3.5	3.4	110
115				2.6	3.1	3.3	115
120				2.2	2.6	2.8	120
125				1.9	2.2		125
130				1.6	1.8		130

50 t Hydraulic Truck Crane

LINK BELT HTC 8650



General Information



110 ft



34/56 ft



11,000 lbs



19'11" x 20'6"



360°

85

85%

Hydraulic Truck Cranes

Crawler Cranes

Carry Decks

Rough Terrain Cranes

Rigging Equipment

Aerial Lifts

Transportation

ft	2°	34 20°	40°	2°	56 20°	40°	ft
35	10.5						35
40	10.5			6.9			40
45	10.5	9.5		6.9			45
50	9.8	8.7		6.9			50
55	8.9	8	7.4	6.9			55
60	8.2	7.4	6.9	6.4	5.6		60
65	7.5	6.8	6.4	5.9	5.2		65
70	6.9	6.4	6	5.4	4.8		70
75	6.4	6	5.6	5	4.5	4	75
80	5.9	5.6	5.3	4.6	4.2	3.8	80
85	5.1	5.2	5	4.3	3.9	3.6	85
90	4.4	4.9	4.7	4	3.6	3.3	90
95	3.7	4.2	4.5	3.7	3.4	3.1	95
100	3.2	3.6	3.9	3.5	3.2	3	100
105	2.6	3	3.3	3.1	3	2.8	105
110	2.2	2.5	2.8	2.6	2.8	2.6	110
115		2.1	2.2	2.2	2.7	2.5	115
120		1.7			2.4	2.4	120
125					2	2.3	125
130						1.9	130

All information given are for reference only.