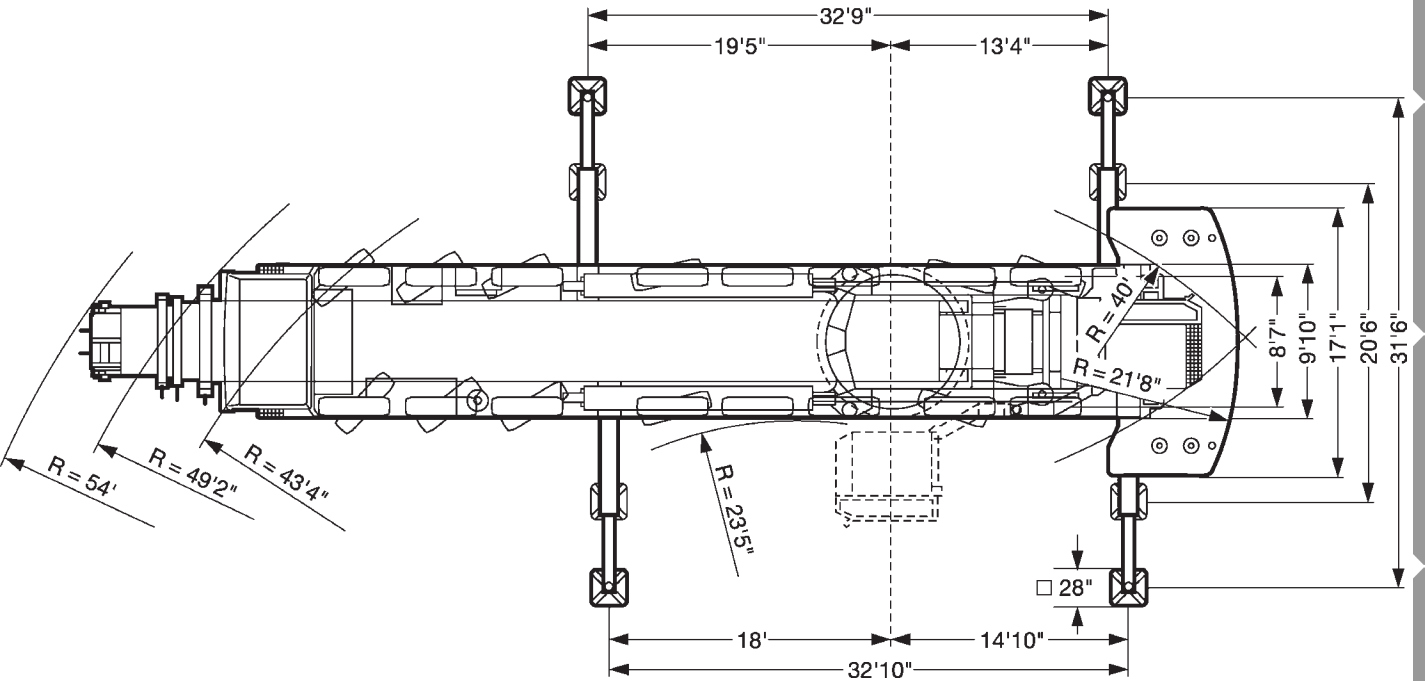
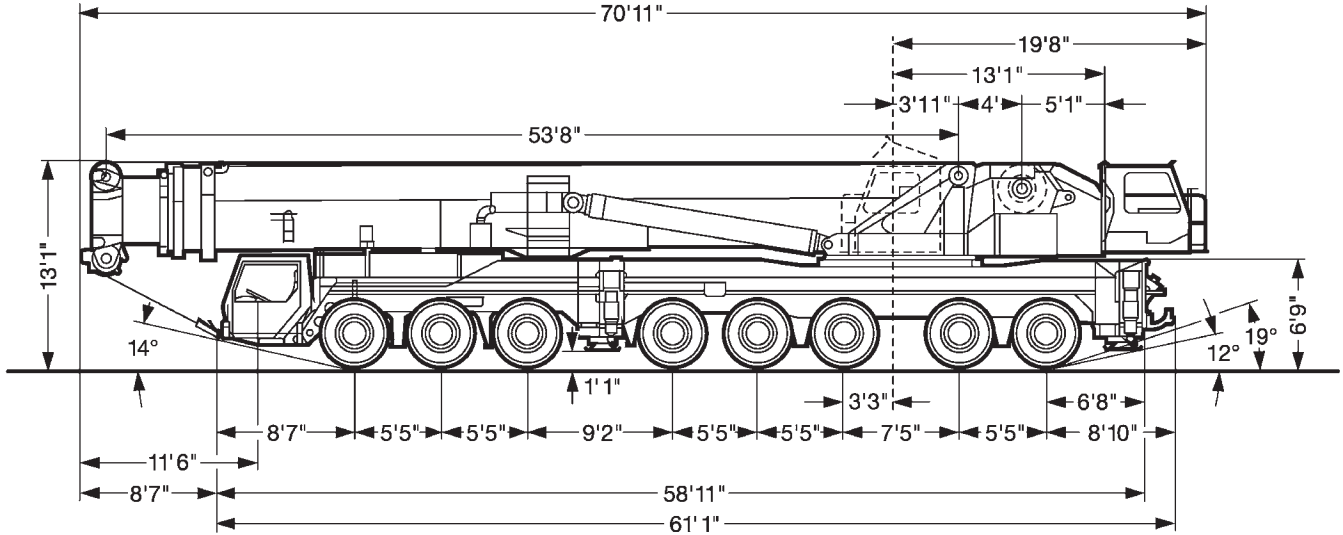


**650 t All Terrain Crane - 164 ft boom**



All information given are for reference only.

General Information  
 Hydraulic Truck Cranes  
 Crawler Cranes  
 Carry Decks  
 Rough Terrain Cranes  
 Rigging Equipment  
 Aerial Lifts  
 Transportation

# 650 t All Terrain Crane

LIEBHERR LTM 1500 - 164FT



General Information

Hydraulic Truck Cranes

Crawler Cranes

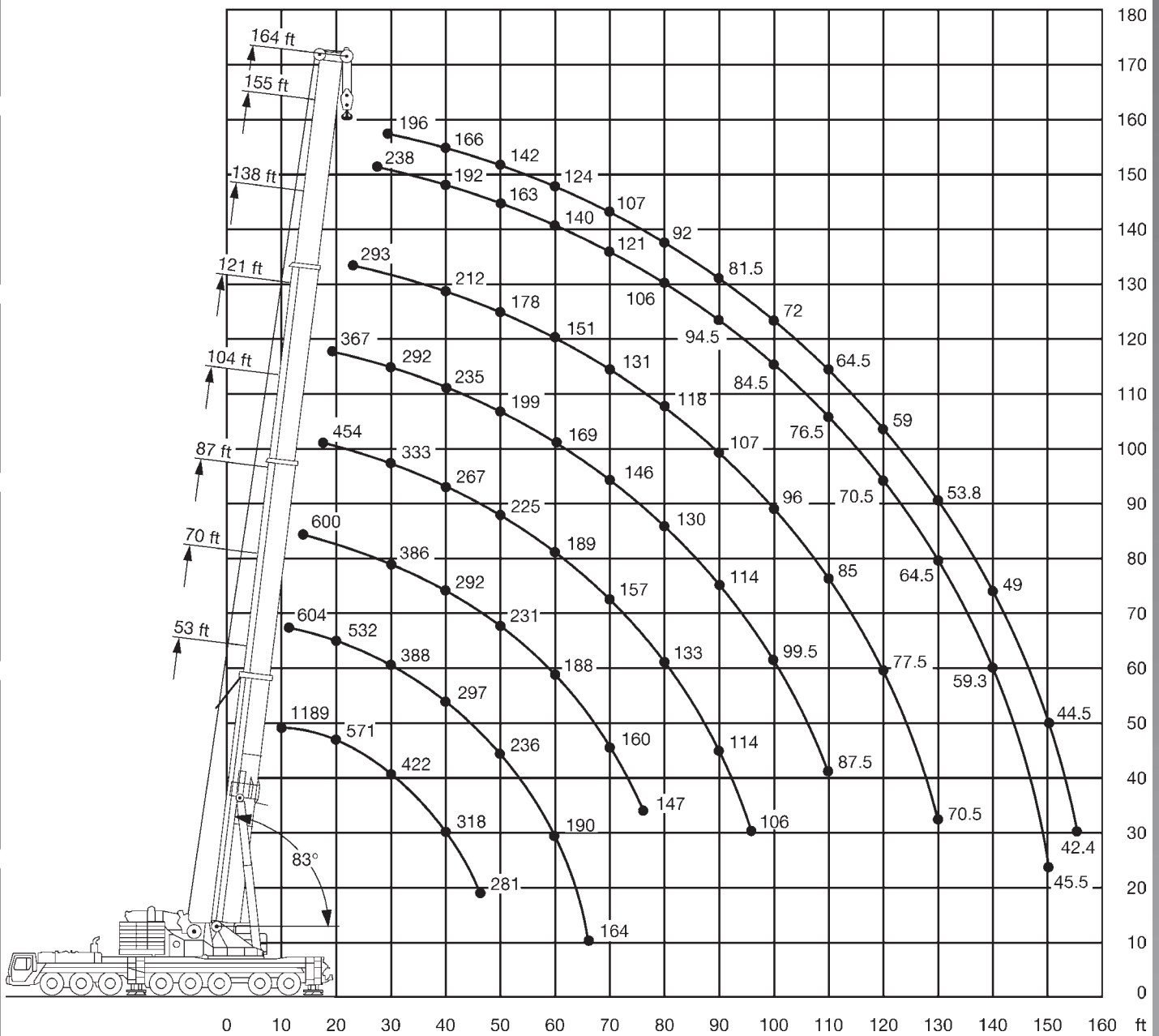
Carry Decks

Rough Terrain Cranes

Rigging Equipment

Aerial Lifts


Transportation



All information given are for reference only.

  
 53-164 ft

  
 297,600 lbs

  
 32'10"x31'6"

  
 360°

**85**  
 85%

All information given are for reference only.

ft	53*	53**	53	70	87	104	121	138	155	164	ft
10	1189	1189	604								10
11	1041	1041	604								11
12	913	913	604	604							12
13	802	802	604	604	600						13
14	722	722	604	604	588						14
15	662	660	604	604	576						15
16	653	643	604	604	564	454					16
17	636	623	592	592	551	447					17
18	614	601	573	571	537	435	367				18
20	571	559	535	532	509	412	364				20
22	535	523	500	497	484	393	348	293			22
24	502	491	468	467	459	375	333	287			24
26	472	461	438	438	435	358	319	276	238		26
28	447	430	412	412	410	345	305	265	231	196	28
30	422	400	388	388	386	333	292	255	224	195	30
32	400	375	365	365	363	321	279	246	217	188	32
34	378	353	345	345	344	308	267	237	211	182	34
36	358	334	328	328	326	294	255	228	204	177	36
38	337	314	310	310	308	280	245	220	198	171	38
40	318	297	294	297	292	267	235	212	192	166	40
45	281	261	261	264	259	245	216	194	177	153	45
50				236	231	225	199	178	163	142	50
55				212	207	206	183	164	150	132	55
60				190	188	189	169	151	140	124	60
65				164	174	172	155	139	130	115	65
70					160	157	146	131	121	107	70
75					147	144	138	124	113	99	75
80						133	130	118	106	92	80
85						123	122	112	100	86.5	85
90						114	114	107	94.5	81.5	90
95						106	107	101	89.5	76.5	95
100							99.5	96	84.5	72	100
105							93	90	80	67.5	105
110							87.5	84.5	76.5	64.5	110
115								81	73.5	62	115
120								77.5	70.5	59	120
125								74	67.5	56.3	125
130								70.5	64.5	53.8	130
135									62	51.4	135
140									59.3	49	140
145									55.7	46.7	145
150									45.5	44.5	150
155										42.4	155

\* over rear, 363,800 lbs counterweight

\*\* over rear

General Information

Hydraulic Truck Cranes

Crawler Cranes

Carry Decks

Rough Terrain Cranes

Rigging Equipment

Aerial Lifts

Transportation

# 650 t All Terrain Crane

LIEBHERR LTM 1500 - 164FT



53-164 ft



231,500 lbs



32'10"x31'6"



360°

**85**

85%

General Information

Hydraulic Truck Cranes

Crawler Cranes

Carry Decks

Rough Terrain Cranes

Rigging Equipment

Aerial Lifts

Transportation

ft	53*	53	70	87	104	121	138	155	164	ft
9	604	604								9
10	604	604								10
11	604	604	604							11
12	604	604	604							12
13	604	604	604	545						13
14	604	591	589	535						14
15	598	574	571	523						15
16	575	551	548	513	413					16
17	554	530	527	501	406					17
18	535	510	507	488	396	333				18
20	496	473	470	462	375	331				20
22	460	440	437	435	357	317	266			22
24	425	409	409	407	341	303	261			24
26	391	381	381	379	326	290	251	216		26
28	364	357	356	355	314	277	241	210	178	28
30	338	334	334	332	302	265	232	204	177	30
32	316	314	314	312	292	253	224	197	171	32
34	298	297	296	295	280	242	216	192	166	34
36	281	280	280	279	267	232	208	186	160	36
38	265	264	265	262	254	222	200	180	155	38
40	249	249	252	247	243	214	192	174	150	40
45	219	219	221	216	218	196	176	161	140	45
50			196	193	194	181	162	148	129	50
55			175	175	173	166	149	136	120	55
60			157	157	155	152	138	127	112	60
65			142	142	140	137	127	118	105	65
70				129	127	127	119	110	97.5	70
75				118	116	117	112	103	90	75
80					108	107	104	96	83.5	80
85					102	98	96.5	91	79	85
90					94.5	90.5	91.5	86	74	90
95					88	83.5	85.5	81.5	69.5	95
100						77.5	79.5	76.5	65.5	100
105						72	74	71.5	61.5	105
110						67.5	69	66.5	58.8	110
115							64.5	62	56.2	115
120							60.5	58.1	53.6	120
125							56.9	54.4	51.2	125
130							53.7	51	48.9	130
135								48	46.7	135
140								45.1	44.5	140
145								42.6	42.4	145
150								40.1	40	150
155									37.8	155

\* over rear

All information given are for reference only.

  
 53-164 ft

  
 198,400 lbs

  
 32'10"x31'6"

  
 360°

**85**  
 85%

General Information

Hydraulic Truck Cranes

Crawler Cranes

Carry Decks

Rough Terrain Cranes

Rigging Equipment

Aerial Lifts

Transportation

All information given are for reference only.

ft	53	70	87	104	121	138	155	164	ft
9	604								9
10	604								10
11	604	604							11
12	604	604							12
13	604	604	545						13
14	586	585	535						14
15	566	563	523						15
16	543	540	513	413					16
17	522	519	501	406					17
18	502	499	488	396	333				18
20	464	462	461	375	331				20
22	430	429	428	357	317	266			22
24	399	399	397	341	303	261			24
26	370	370	368	326	290	251	216		26
28	347	346	345	314	277	241	210	178	28
30	324	324	322	302	265	232	204	177	30
32	304	304	302	292	253	224	197	171	32
34	286	289	284	279	242	216	192	166	34
36	269	272	267	266	232	208	186	160	36
38	253	256	251	252	222	200	180	155	38
40	238	241	236	239	214	192	174	150	40
45	208	210	209	209	196	176	161	140	45
50		185	186	184	178	162	148	129	50
55		165	165	163	160	149	136	120	55
60		147	147	145	146	138	127	112	60
65		133	133	130	131	127	118	105	65
70			121	120	118	115	110	97.5	70
75			111	112	107	106	103	90	75
80				102	98	100	95.5	83.5	80
85				93.5	89.5	91.5	89	79	85
90				86	82	84	82	74	90
95				79	76.5	77.5	75.5	69.5	95
100					72	71	69.5	65.5	100
105					67	66	64	61.5	105
110					62.5	61	59.2	58.8	110
115						56.9	54.9	55.1	115
120						53.1	51	51.2	120
125						49.6	47.5	47.6	125
130						46.6	44.4	44.5	130
135							41.5	41.6	135
140							38.8	38.8	140
145							36.3	36.2	145
150							34.1	33.9	150
155								31.8	155

# 650 t All Terrain Crane

## LIEBHERR LTM 1500 - 164FT



General Information

Hydraulic Truck Cranes

Crawler Cranes

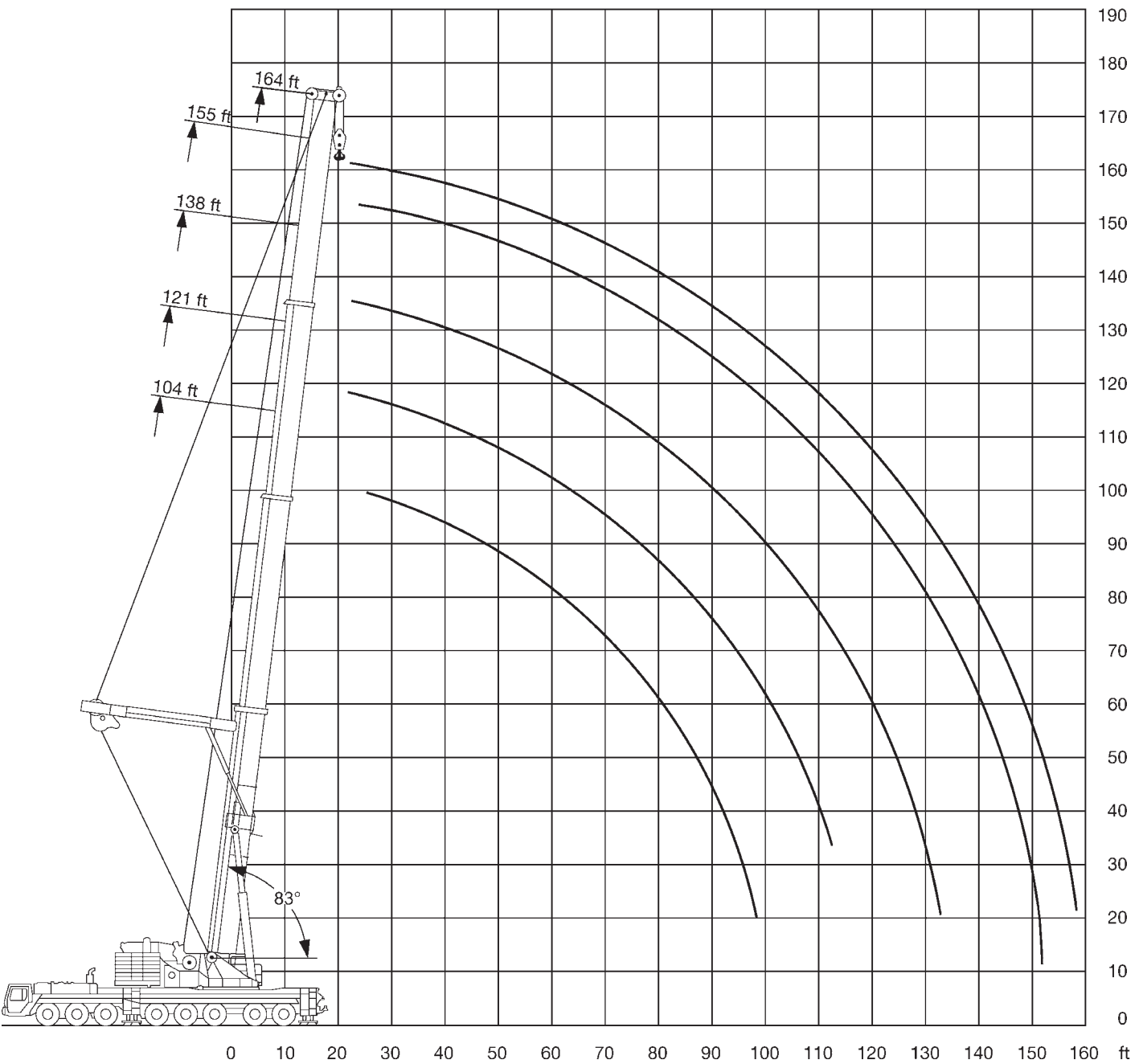
Carry Decks

Rough Terrain Cranes

Rigging Equipment

Aerial Lifts

Transportation



All information given are for reference only.



104-164 ft



363,800 lbs



32'10"x31'6"



360°

**85**  
85%

General Information

All information given are for reference only.

ft	104	121	138	155	164	ft
16	457					16
17	455					17
18	450	468				18
20	442	463				20
22	435	445	403			22
24	428	425	394			24
26	422	403	376	343	280	26
28	406	384	359	332	279	28
30	389	368	343	321	277	30
32	369	351	329	309	276	32
34	352	336	316	297	273	34
36	337	322	303	287	269	36
38	322	308	291	276	266	38
40	309	295	279	266	260	40
45	276	268	258	245	240	45
50	248	245	237	227	222	50
55	223	224	218	212	207	55
60	202	205	200	198	194	60
65	185	188	183	184	182	65
70	169	172	167	170	170	70
75	155	158	154	156	157	75
80	143	146	141	144	145	80
85	131	135	130	133	134	85
90	116	125	121	123	124	90
95	100	117	112	115	116	95
100		109	104	107	108	100
105		101	97	99.5	100	105
110		87.5	90.5	93	94	110
115			84.5	87	88	115
120			77.5	82	82.5	120
125			68.5	77	77.5	125
130			58.3	72	73	130
135				68	68.5	135
140				63.5	64.5	140
145				56.3	61	145
150				39.5	57.7	150
155					48.3	155

Hydraulic Truck Cranes

Crawler Cranes

Carry Decks

Rough Terrain Cranes

Rigging Equipment

Aerial Lifts

Transportation

General Information

Hydraulic Truck Cranes

Crawler Cranes

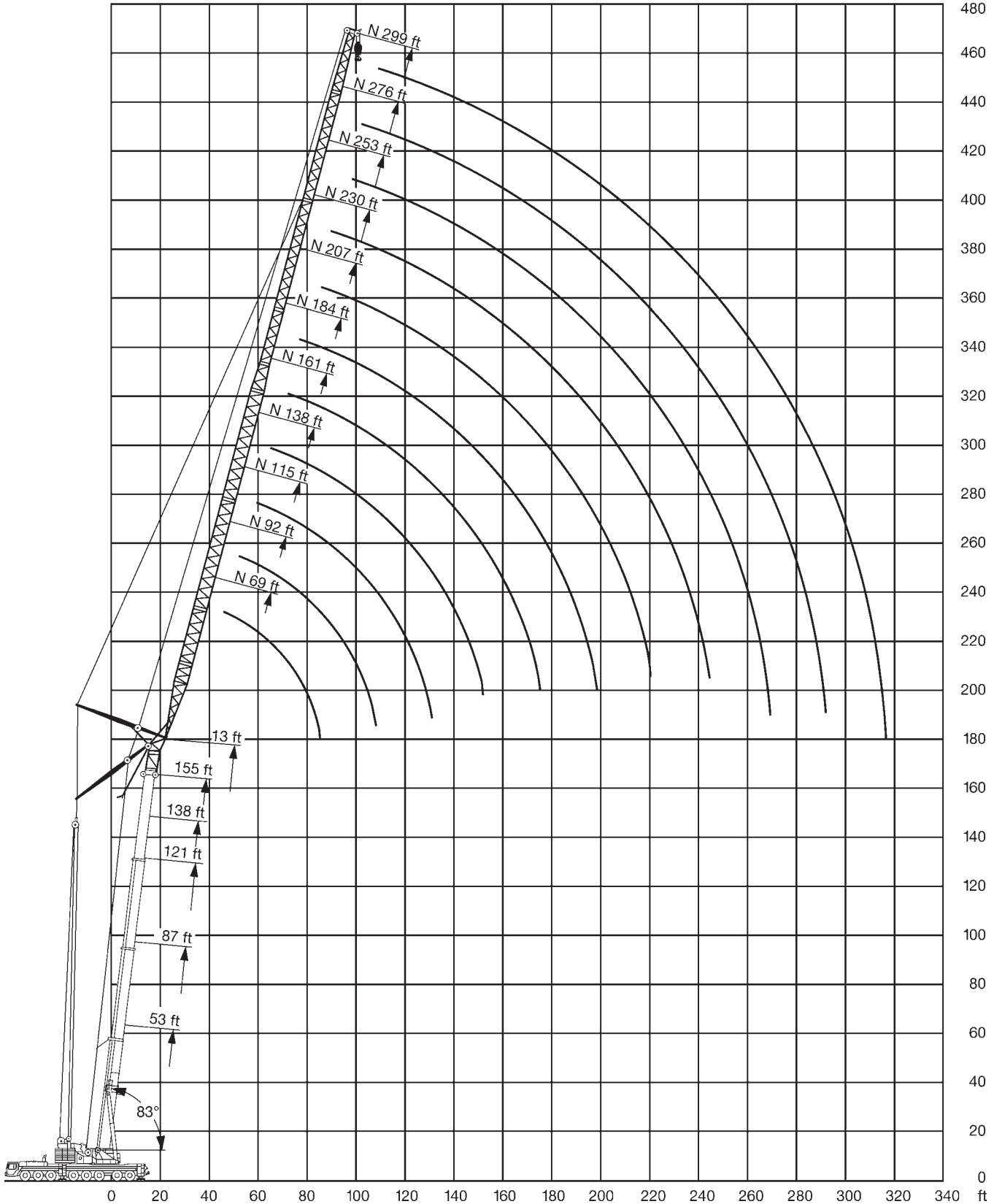
Carry Decks

Rough Terrain Cranes

Rigging Equipment

Aerial Lifts

Transportation



All information given are for reference only.



  
 53 ft  
 83°

  
 69-299 ft

  
 363,800 lbs

  
 32'10" x 31'6"

  
 360°

**85**  
 85%

General Information

Hydraulic Truck Cranes

Crawler Cranes

Carry Decks

Rough Terrain Cranes

Rigging Equipment

Aerial Lifts

Transportation

All information given are for reference only.

ft	69	92	115	138	161	53* 184	207	230	253	276	299	ft
45	267	246										45
50	257	235										50
55	241	222	199									55
60	223	211	192	165								60
65	206	200	184	160	136							65
70	192	189	177	156	133							70
75	166	178	170	151	130	106						75
80		166	163	148	127	104	90					80
85		156	155	144	124	101	88	67				85
90		147	146	141	121	98.5	86.5	65				90
95		130	137	135	118	95.5	85	63	58.4			95
100			130	129	116	93	83.5	61	56.9			100
105			123	122	114	90.5	82.5	59.4	55.4	42.8		105
110			114	116	113	88.5	81	57.7	54	41.5	35.9	110
115			99.5	110	109	86.5	79.5	56.1	52.7	40.3	35.3	115
120			84	105	104	84.5	78	54.6	51.4	39.2	34.4	120
125				100	99	82.5	77	53.1	50.2	38.1	33.5	125
130				90	94.5	81	75.5	51.8	49.1	37	32.7	130
135				79.5	90.5	79.5	74.5	50.5	48	36	31.8	135
140				69.5	86.5	78	73.5	49.2	46.9	35.1	31.1	140
145					82	76.5	72.5	48	45.9	34.3	30.3	145
150					74	75	71.5	46.8	45	33.5	29.7	150
155					66	74	70.5	45.7	44	32.8	29.1	155
160					58.1	71	69.5	44.8	43.1	32	28.5	160
165					50.5	67	68.5	44	42.2	31.3	27.9	165
170					43.1	61	67	43.3	41.4	30.6	27.4	170
175						54.9	64	42.6	40.8	29.9	26.8	175
180						49	60	41.9	40.2	29.3	26.3	180
185						43.2	56	41.3	39.7	28.7	25.8	185
190						37.5	51.8	40.6	39.1	28.1	25.3	190
195							47.1	40	38.6	27.6	24.8	195
200							42	39.3	38.1	27.2	24.5	200
205							36.9	38.7	37.6	26.8	24.1	205
210							31.9	38.1	37.1	26.4	23.8	210
215							27.1	37.6	36.6	26	23.5	215
220								34.9	36.2	25.6	23.2	220
230								27.1	35.2	24.9	22.6	230
235								23.2	34	24.5	22.3	235
240									31.2	24.1	22	240
250									24	23.4	21.5	250
260									16.8	22.7	20.9	260
270										21.1	20.4	270
280										14.7	19.9	280
290											16.9	290
300											11.8	300
305											9.4	305

\*+13 ft adapter

# 650 t All Terrain Crane

LIEBHERR LTM 1500 - 164FT



General Information



87 ft  
83°



69-299 ft



363,800 lbs



32'10"x31'6"



360°

**85**

85%

Hydraulic Truck Cranes

Crawler Cranes

Carry Decks

Rough Terrain Cranes

Rigging Equipment

Aerial Lifts

Transportation

ft	69	92	115	138	161	87*	184	207	230	253	276	299	ft
45	237												45
50	225												50
55	211	195											55
60	201	186	166										60
65	193	177	161	139									65
70	184	169	155	137									70
75	174	162	149	133	115								75
80		156	144	130	113	93							80
85		150	138	126	111	91.5	78.5						85
90		142	134	123	109	90.5	77.5						90
95		134	130	119	106	89	76.5	60.5					95
100		127	126	116	103	87.5	75.5	58.9	53.1				100
105			119	113	101	86.5	74.5	57.4	52.3	41.3			105
110			113	111	98.5	85	73.5	56	51.4	40.2	34.5		110
115			108	106	96.5	83.5	72.5	54.6	50.5	39.2	34		115
120			103	102	94.5	82	71.5	53.3	49.5	38.2	33.2		120
125				97	92.5	80.5	70.5	52	48.5	37.2	32.4		125
130				92.5	91	78.5	70	50.8	47.6	36.3	31.6		130
135				88.5	87.5	77	68.5	49.6	46.6	35.4	30.9		135
140				83.5	84	76	67.5	48.5	45.7	34.5	30.2		140
145				76	80.5	74.5	66.5	47.4	44.8	33.8	29.6		145
150				64	77	73.5	66	46.3	44	33	29		150
155					74	72	65	45.3	43.2	32.3	28.4		155
160					71	70	64.5	44.4	42.4	31.6	27.8		160
165					66.5	67	64	43.5	41.6	30.9	27.3		165
170					58.3	65	63.5	42.9	40.9	30.2	26.8		170
175						62.5	61.5	42.3	40.2	29.6	26.2		175
180						58.3	59.6	41.7	39.6	29	25.8		180
185						52.6	57.5	41.1	39	28.4	25.3		185
190						46.2	55.5	40.5	38.6	27.9	24.9		190
195						40	53.7	39.9	38.2	27.5	24.6		195
200							51.4	39.4	37.7	27.1	24.2		200
205							48	38.9	37.3	26.8	23.9		205
210							42.5	38.4	36.9	26.4	23.6		210
215							37.2	37.8	36.5	26.1	23.3		215
220								37.3	36.1	25.7	23		220
225								36.6	35.7	25.4	22.7		225
230								35.5	35.3	25	22.5		230
240								26	34.6	24.3	22		240
250									32	23.7	21.4		250
260									25.1	23	20.9		260
270										22.4	20.4		270
285										18.4	19.7		285
290											19.5		290
300											17.3		300
305											14.7		305

\*+13 ft adapter

All information given are for reference only.



All information given are for reference only.

ft	69	92	115	138	161	121* 184	207	230	253	276	299	ft
55	164											55
60	153	142										60
65	144	136	121									65
70	137	130	117									70
75	130	123	114	100								75
80	125	118	110	97.5	85.5							80
85	123	112	107	95	83.5	72						85
90		107	103	93	82	70.5						90
95		103	98.5	90.5	80	69.5	59.5					95
100		100	95	88.5	78.5	68	58.5	50				100
105			91	86	77	66.5	57.5	49.2	42.5			105
110			87.5	83.5	75.5	65.5	56.5	48.4	41.9	35.8		110
115			85	80.5	73.5	64.5	55.6	47.7	41.3	35.5		115
120			83	78	72	63.5	54.8	46.9	40.7	35	29	120
125			81	75.5	70.5	62.5	54	46.3	40.1	34.6	28.7	125
130			80	73	68.5	61	53.2	45.6	39.5	34	28.4	130
135				71.5	66.5	59.9	52.4	45	39	33.4	28.1	135
140				70	64.5	58.7	51.6	44.4	38.5	32.7	27.8	140
145				69	63	57.6	50.8	43.8	38	32.1	27.4	145
150				68	61.5	56.3	50	43.2	37.5	31.5	27	150
155					60	55	49.2	42.7	37.1	30.9	26.6	155
160					59.2	53.6	48.4	42.1	36.6	30.3	26.2	160
165					58.3	52.3	47.7	41.6	36.2	29.8	25.8	165
170					57.4	51.3	46.9	41.1	35.8	29.2	25.4	170
175					56.3	50.5	46	40.5	35.4	28.7	25	175
180						49.8	45	40.1	35.1	28.2	24.6	180
185						49.1	44.1	39.6	34.7	27.7	24.3	185
190						48.5	43.4	39	34.4	27.3	23.9	190
195						47.8	42.8	38.3	34.1	26.9	23.6	195
200							42.2	37.6	33.7	26.5	23.3	200
205							41.6	37	33.4	26.1	23	205
210							41.1	36.4	33.1	25.7	22.7	210
215							40.6	36	32.6	25.4	22.4	215
220							39.7	35.5	32.1	25	22.2	220
230								34.7	31.3	24.3	21.6	230
240								33.9	30.5	23.7	21.1	240
250									29.7	23.2	20.7	250
260									29	22.7	20.2	260
265									27.4	22.5	20.1	265
270										22.3	19.9	270
280										21.9	19.6	280
285										21.7	19.5	285
290											19.3	290
300											19	300
305											18.9	305
310											18.1	310

\*+13 ft adapter

General Information  
Hydraulic Truck Cranes  
Crawler Cranes  
Carry Decks  
Rough Terrain Cranes  
Rigging Equipment  
Aerial Lifts  
Transportation

# 650 t All Terrain Crane

LIEBHERR LTM 1500 - 164FT



General Information



138 ft  
83°



69-299 ft



363,800 lbs



32'10"x31'6"



360°

**85**

85%

Hydraulic Truck Cranes

Crawler Cranes

Carry Decks

Rough Terrain Cranes

Rigging Equipment

Aerial Lifts

Transportation

ft	69	92	115	138	161	138*	184	207	230	253	276	299	ft
55	138												55
60	131	119											60
65	124	113	102										65
70	118	109	98.5										70
75	113	104	95	84.5									75
80	108	100	92	82	72								80
85	104	96.5	89	79.5	70	60.5							85
90		92.5	86	77.5	68	59.2							90
95		89.5	83.5	75	66.5	57.8	49.1						95
100		86	80.5	73	65	56.4	48.8	40.9					100
105		83	78	71.5	63	55.2	47.7	40.9	35.2				105
110		82	75.5	69.5	61.5	54	46.7	40.1	34.6	29.8			110
115			73	67.5	60.5	52.8	45.7	39.3	33.9	29.5			115
120			71	65.5	58.9	51.7	44.8	38.5	33.3	29	23.3		120
125			68.5	64	57.6	50.7	43.9	37.7	32.7	28.5	23.3		125
130			68	62	56.2	49.7	43.1	37	32.1	28	22.9		130
135				60.5	54.8	48.7	42.3	36.3	31.6	27.5	22.5		135
140				59	53.5	47.7	41.5	35.6	31	27.1	22.2		140
145				57.6	52.2	46.7	40.7	35	30.5	26.7	21.8		145
150				56.9	51	45.7	40	34.4	30	26.2	21.5		150
155				56.4	49.8	44.7	39.2	33.8	29.5	25.9	21.1		155
160					48.7	43.8	38.4	33.2	29.1	25.5	20.8		160
165					47.7	42.9	37.7	32.6	28.6	25.1	20.5		165
170					47.2	42.1	37	32	28.2	24.8	20.2		170
175					46.9	41.2	36.3	31.5	27.7	24.4	19.9		175
180						40.4	35.7	30.9	27.3	24.1	19.6		180
185						39.7	35	30.4	26.9	23.7	19.3		185
190						39.4	34.3	29.8	26.4	23.4	19.1		190
195						39.1	33.7	29.3	25.9	23.1	18.8		195
200						39	33.1	28.9	25.5	22.7	18.5		200
205							32.6	28.4	25.1	22.3	18.3		205
210							32.3	27.9	24.7	21.9	18		210
215							32.1	27.5	24.2	21.5	17.6		215
220							32	27	23.8	21.2	17.3		220
230								26.4	23.1	20.4	16.6		230
240								26.1	22.4	19.8	16		240
245								26	22.1	19.5	15.6		245
250									21.9	19.2	15.3		250
260									21.6	18.6	14.8		260
265									21.5	18.3	14.5		265
270										18.1	14.2		270
280										17.9	13.7		280
290										17.8	13.3		290
295										17.8	13.2		295
300											13		300
310											12.7		310


\*+13 ft adapter

All information given are for reference only.

  
 155 ft  
83°

  
 69-299 ft

  
 363,800 lbs

  
 32'10"x31'6"

  
 360°

**85**

 85%

All information given are for reference only.

ft	69	92	115	138	161	155* 184	207	230	253	276	299	ft
55	113											55
60	112											60
65	106	96										65
70	102	93	82									70
75	98.5	89	80.5	69.5								75
80	95	85.5	78	69								80
85	91.5	82.5	75.5	67.5	58.3							85
90	88.5	79.5	73	65.5	57.2	48.8						90
95		77	70.5	63.5	56	48.2						95
100		74.5	68.5	61.5	54.8	47.3	40.5					100
105		72	66.5	59.8	53.2	46.3	39.6	33.3				105
110		69.5	64.5	58.1	51.8	45.3	38.8	32.7	28.2			110
115			63	56.6	50.5	44.2	38.1	32.1	27.9			115
120			61.5	55.3	49.1	43.1	37.3	31.5	27.3	23.2		120
125			59.8	54	47.9	42	36.5	30.9	26.8	22.8	17.9	125
130			58.4	52.8	46.8	41	35.6	30.4	26.3	22.4	17.5	130
135			57	51.7	45.9	40	34.7	29.7	25.9	22	17.2	135
140				50.6	45	39	33.8	29	25.4	21.6	16.9	140
145				49.6	44.2	38.2	33	28.3	24.9	21.2	16.6	145
150				48.6	43.5	37.5	32.2	27.6	24.3	20.8	16.3	150
155				47.6	42.7	36.9	31.4	27	23.8	20.3	16	155
160					42	36.2	30.8	26.3	23.3	19.9	15.7	160
165					41.3	35.6	30.2	25.7	22.8	19.5	15.4	165
170					40.7	35	29.8	25.1	22.3	19.1	15.1	170
175					40	34.5	29.3	24.6	21.8	18.7	14.7	175
180					39.4	33.9	28.9	24.1	21.4	18.4	14.4	180
185						33.4	28.5	23.6	21	18	14.1	185
190						32.9	28.2	23.2	20.6	17.6	13.8	190
195						32.4	27.8	22.8	20.3	17.3	13.5	195
200						31.9	27.4	22.3	20	16.9	13.3	200
205							27.1	21.9	19.7	16.6	13.1	205
210							26.7	21.5	19.4	16.3	12.8	210
215							26.4	21.2	19.1	16.1	12.6	215
220							26	20.8	18.9	15.8	12.5	220
225							25.7	20.4	18.6	15.6	12.3	225
230								20.1	18.4	15.3	12.1	230
240								19.4	17.9	14.9	11.7	240
245								19	17.7	14.6	11.5	245
260									17	14	11.1	260
270									16.5	13.6	10.8	270
275									16.3	13.4	10.6	275
280										13.2	10.5	280
295										12.6	10	295
300											9.9	300
310											9.6	310
320											9.3	320

\*+13 ft adapter

General Information

Hydraulic Truck Cranes

Crawler Cranes

Carry Decks

Rough Terrain Cranes

Rigging Equipment

Aerial Lifts

Transportation

General Information

Hydraulic Truck Cranes

Crawler Cranes

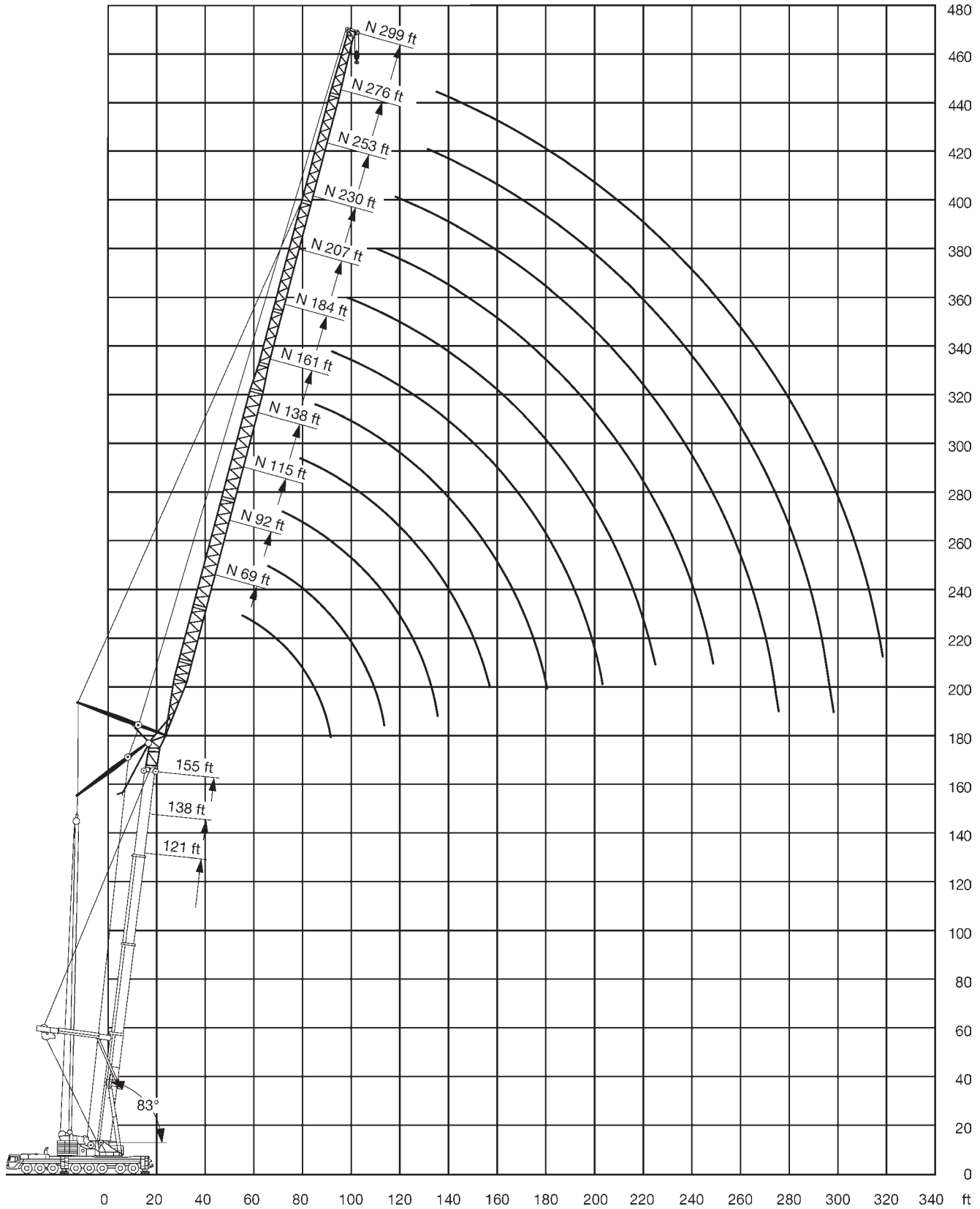
Carry Decks

Rough Terrain Cranes

Rigging Equipment

Aerial Lifts

Transportation




All information given are for reference only.

  
 121 ft  
83°

  
 69-299 ft

  
 363,800 lbs

  
 32'10"x31'6"

  
 360°

**85**

 85%

All information given are for reference only.

ft	69	92	115	138	161	121* 184	207	230	253	276	299	ft
55	216											55
60	201	194										60
65	189	182	168									65
70	178	172	163									70
75	168	163	156	139								75
80	159	155	148	136	116							80
85	150	147	141	132	115							85
90		139	135	128	113	89.5						90
95		132	129	124	111	88.5	74.5					95
100		125	124	119	108	87	74	59.2				100
105			117	114	106	86	73	57.9	50.3			105
110			111	110	104	84.5	72.5	56.6	49.9			110
115			106	105	101	83.5	72	55.3	49.4	38.5		115
120			101	99.5	97.5	82	71	54	48.9	38.1	31.8	120
125			96.5	95	94	81	70.5	52.8	48.3	37.3	31.7	125
130			92	91	90	79.5	69.5	51.6	47.6	36.4	31.1	130
135				87	86	78	68.5	50.4	46.9	35.6	30.5	135
140				83.5	82.5	77	67.5	49.3	46.1	34.8	29.9	140
145				80	79	75.5	67	48.2	45.3	34.1	29.4	145
150				77	76	74	66.5	47.1	44.4	33.4	28.8	150
155					73	71.5	66	46.1	43.6	32.6	28.3	155
160					70	68.5	65.5	45.1	42.8	31.9	27.8	160
165					67.5	66	65	44.3	42	31.3	27.3	165
170					65	63.5	63	43.6	41.3	30.6	26.9	170
175					58.5	61.5	60.5	42.9	40.6	30	26.4	175
180						59.2	58.5	42.2	40	29.4	26	180
185						57.2	56.5	41.6	39.4	28.8	25.5	185
190						55.2	54.5	41	38.9	28.3	25.1	190
195						49.9	52.7	40.4	38.4	27.8	24.7	195
200							51	39.8	37.9	27.3	24.3	200
205							49.3	39.3	37.4	26.9	23.9	205
210							47.7	38.7	37	26.5	23.6	210
215							43.8	38.2	36.5	26.1	23.3	215
220							38.7	37.6	36.1	25.7	23	220
230								36.8	35.3	24.9	22.5	230
240								32.8	34.4	24.2	21.9	240
250									33.8	23.5	21.4	250
260									29.9	22.9	20.9	260
265									26.2	22.6	20.6	265
270										22.4	20.3	270
280										21.9	19.9	280
285										21.4	19.6	285
290											19.4	290
300											19.2	300
305											19	305
310											17.6	310

\*+13 ft adapter

 General Information  
 Hydraulic Truck Cranes  
 Crawler Cranes  
 Carry Decks  
 Rough Terrain Cranes  
 Rigging Equipment  
 Aerial Lifts  
 Transportation

# 650 t All Terrain Crane

LIEBHERR LTM 1500 - 164FT



General Information



138 ft  
83°



69-299 ft



363,800 lbs



32'10" x 31'6"



360°

**85**

85%

Hydraulic Truck Cranes

Crawler Cranes

Carry Decks

Rough Terrain Cranes

Rigging Equipment

Aerial Lifts

Transportation

ft	69	92	115	138	161	138*	184	207	230	253	276	299	ft
55	198												55
60	186	174											60
65	175	166	150										65
70	166	158	145										70
75	158	151	140	124									75
80	152	144	135	121									80
85	146	137	130	118	103								85
90		132	125	115	101	84							90
95		128	120	111	99	83.5	68.5						95
100		123	116	108	97	82.5	68.5	54.7					100
105		117	112	105	95	81	68	54.7					105
110		111	108	102	92.5	80.5	67.5	54.1	44.5				110
115			104	99.5	90.5	79.5	67	53.2	44.5	36.5			115
120			99	96.5	88	78	66.5	52.3	44.5	36.3	29		120
125			94.5	93.5	86	77	66.5	51.4	44.5	35.8	29		125
130			90.5	89.5	84.5	75.5	65.5	50.5	44.5	35.1	29		130
135				85.5	82.5	74	65	49.6	44.5	34.4	28.8		135
140				82	80.5	72.5	64	48.6	44.4	33.8	28.4		140
145				78.5	77.5	71.5	63	47.6	44.1	33.2	28		145
150				75.5	74.5	70.5	62	46.6	43.4	32.6	27.6		150
155				72.5	71.5	69	61	45.6	42.7	32.1	27.1		155
160					69	67.5	60	44.7	42	31.5	26.8		160
165					66	65	59.3	43.8	41.3	30.8	26.4		165
170					64	63	58.4	43.1	40.6	30.2	26		170
175					61.5	60.5	57.4	42.4	40	29.6	25.6		175
180						58.4	56.3	41.8	39.4	29.1	25.2		180
185						56.4	55.1	41.3	38.8	28.5	24.9		185
190						54.4	53.2	40.7	38.3	28	24.5		190
195						52.6	51.5	40.1	37.9	27.5	24.2		195
200						49.2	49.8	39.6	37.5	27.1	23.8		200
205							48.1	39.1	37	26.7	23.5		205
210							46.6	38.6	36.6	26.3	23.1		210
215							45.1	38.1	36.2	25.9	22.9		215
220							43.3	37.6	35.8	25.5	22.6		220
225								37.1	35.4	25.2	22.3		225
230								36.7	35.1	24.8	22		230
240								36.1	34.3	24.2	21.5		240
245								34	34	23.8	21.3		245
250									33.6	23.5	21.1		250
260									32.1	22.9	20.6		260
265									30.2	22.6	20.4		265
280										21.8	19.7		280
290										21.3	19.3		290
295										19.9	19.1		295
305											18.9		305
310											18.4		310

\*+13 ft adapter


All information given are for reference only.



  
 155 ft  
 83°

  
 69-299 ft

  
 363,800 lbs

  
 32'10"x31'6"

  
 360°

**85**  
 85%

General Information

Hydraulic Truck Cranes

Crawler Cranes

Carry Decks

Rough Terrain Cranes

Rigging Equipment

Aerial Lifts

Transportation

All information given are for reference only.

ft	155*											ft
	69	92	115	138	161	184	207	230	253	276	299	
55	167											55
60	165											60
65	155	145										65
70	147	139	126									70
75	140	132	124	108								75
80	134	126	119	107								80
85	130	120	114	104	91.5							85
90	126	115	110	100	89	75						90
95		111	106	97.5	86.5	74.5						95
100		108	101	94.5	84	73.5	60					100
105		105	97.5	91.5	82	72	60					105
110		102	94.5	88.5	80	71	59.5	48.7				110
115			92	86	78	69.5	59	48.6	39.6			115
120			89.5	83	76	68	58.4	48.5	39.6	31.8		120
125			87.5	81	74	66.5	57.9	48.4	39.6	31.8		125
130			85.5	79	72	65	57.1	48.2	39.6	31.8	24.7	130
135			84	77.5	70	63.5	56	47.9	39.6	31.8	24.7	135
140				76	68.5	62	54.8	47.3	39.6	31.8	24.7	140
145				75	67	60.5	53.5	46.5	39.6	31.8	24.7	145
150				73.5	65.5	59.2	52.4	45.6	39.6	31.4	24.7	150
155				71.5	64.5	58.1	51.2	44.8	39.6	31	24.7	155
160					63	57	50.2	43.9	39.4	30.6	24.7	160
165					62	56	49.3	43.1	38.9	30.1	24.7	165
170					60.5	54.9	48.5	42.3	38.2	29.6	24.7	170
175					59.7	54	47.7	41.7	37.6	29.1	24.7	175
180					58.1	53	46.9	41.1	37	28.6	24.5	180
185						52.1	46.1	40.6	36.4	28.1	24.3	185
190						51.1	45.4	40	35.8	27.6	24	190
195						50.2	44.3	39.4	35.3	27.1	23.7	195
200						49.3	43.2	38.7	34.8	26.7	23.4	200
205							42.1	37.7	34.3	26.3	23.2	205
210							40.9	36.8	33.8	25.9	22.9	210
220							39.6	34.8	32.3	25.2	22.4	220
225							39.2	33.9	31.4	24.9	22.1	225
230								33	30.6	24.6	21.8	230
240								31.8	29	24	21.1	240
245								31.5	28.2	23.7	20.5	245
250									27.4	23.4	19.8	250
260									26.4	22.7	18.6	260
275									25.7	21	16.9	275
280										20.7	16.3	280
290										20.3	15.2	290
295										20.1	14.7	295
300											14.4	300
310											14	310
320											13.7	320

\*+13 ft adapter

General Information

Hydraulic Truck Cranes

Crawler Cranes

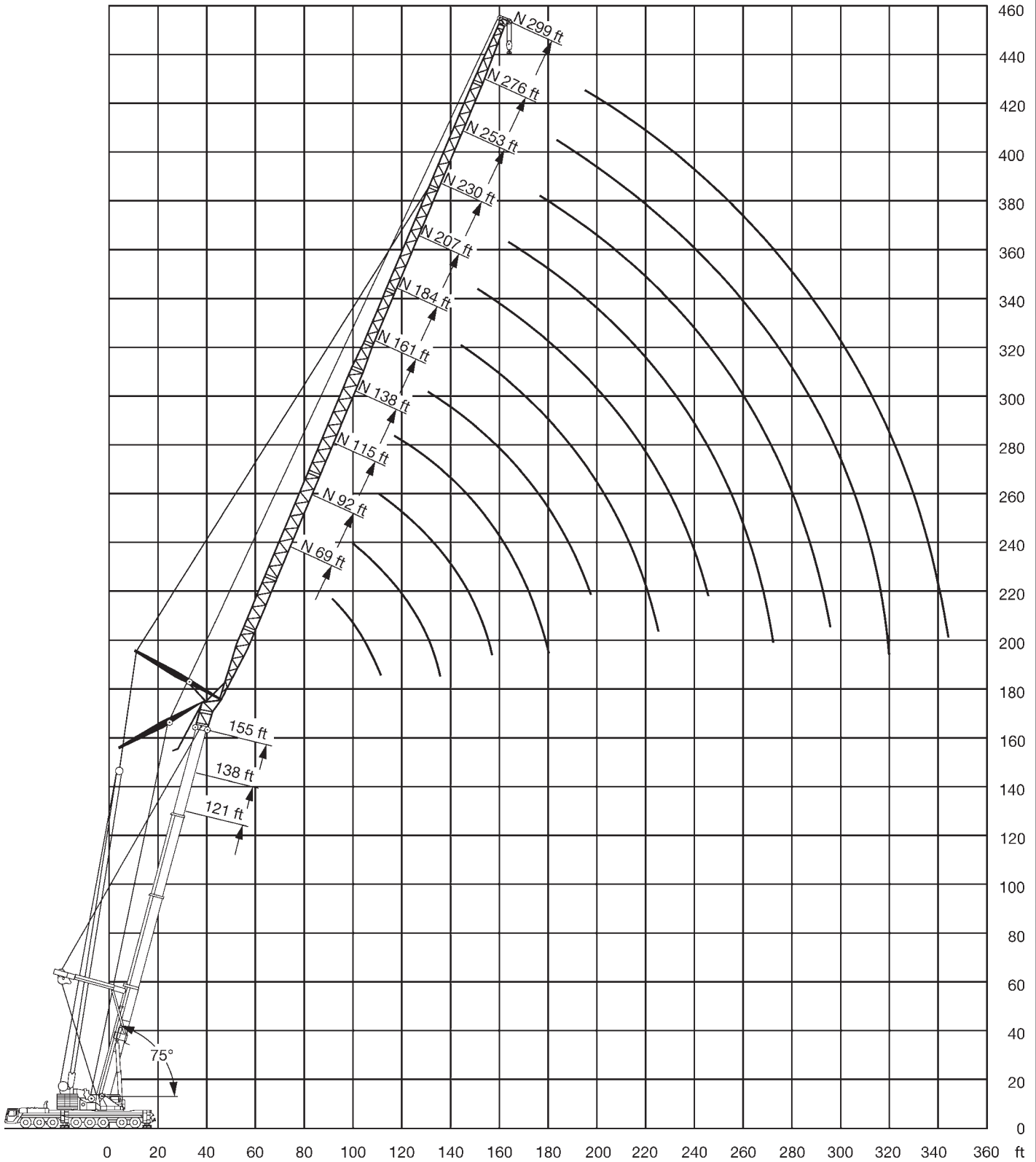
Carry Decks

Rough Terrain Cranes

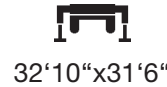
Rigging Equipment

Aerial Lifts

Transportation



All information given are for reference only.



All information given are for reference only.

ft	69	92	115	138	161	121* 184	207	230	253	276	299	ft
75	147											75
80	145											80
85	136	133										85
90	128	126										90
100	114	112	111									100
105		106	105									105
110		101	99.5	96.5								110
115		96	95	93.5								115
120		91.5	90.5	89	87.5							120
125			86	85	83.5							125
130			82.5	81	79.5	77						130
135			79	77.5	76	74.5						135
140			75.5	74.5	73	71	68.5					140
145			72.5	71.5	70	68	67					145
150			69.5	68.5	67	65.5	64.5	50.3				150
155				66	64.5	62.5	62	49.4				155
160				63	62	60	59.3	48.4	44.4			160
165				61	59.5	57.8	57	47.4	44.3			165
170				58.6	57.3	55.6	54.8	46.5	43.5	32.5		170
175					55.2	53.6	52.7	45.6	42.9	32		175
180					53.2	51.6	50.8	44.8	42.2	31.4	26.9	180
185					51.3	49.8	48.9	44	41.5	30.8	26.8	185
190					49.6	48	47.2	43.3	40.9	30.2	26.3	190
195					47.9	46.4	45.5	42.7	40.3	29.6	25.9	195
200						44.8	43.9	42.1	39.8	29.1	25.5	200
205						43.3	42.4	41.3	39.2	28.6	25.1	205
210						41.9	41	40.2	38.6	28.1	24.7	210
215						40.5	39.7	38.8	37.3	27.6	24.4	215
220							38.4	37.5	36	27.2	24	220
225							37.1	36.3	34.8	26.8	23.6	225
230							36	35.1	33.6	26.4	23.3	230
235							34.9	34	32.5	26	23	235
240							33.8	32.9	31.4	25.6	22.7	240
245								31.9	30.4	25.3	22.5	245
250								30.9	29.4	24.9	22.2	250
255								29.9	28.4	24.5	21.9	255
260								29	27.5	24.2	21.6	260
265									26.6	23.8	21.4	265
270									25.8	23.5	21.1	270
280									24.2	22.8	20.6	280
285									23.5	22.2	20.4	285
290										21.5	20.1	290
300										20.2	18.9	300
305										19.5	18.3	305
310											17.6	310
320											16.4	320
325											15.9	325

\*+13 ft adapter

General Information  
Hydraulic Truck Cranes  
Crawler Cranes  
Carry Decks  
Rough Terrain Cranes  
Rigging Equipment  
Aerial Lifts  
Transportation

# 650 t All Terrain Crane

LIEBHERR LTM 1500 - 164FT



General Information



138 ft  
75°



69-299 ft



363,800 lbs



32'10" x 31'6"



360°

**85**

85%

Hydraulic Truck Cranes

Crawler Cranes

Carry Decks

Rough Terrain Cranes

Rigging Equipment

Aerial Lifts

Transportation

ft	69	92	115	138	161	138*	184	207	230	253	276	299	ft
85	128												85
90	122												90
95	117	114											95
100	111	109	101										100
105		104	101										105
110		98.5	96.5										110
115		94	92	88									115
120		89.5	87.5	86.5	80.5								120
125		85.5	83.5	82.5	80.5								125
130		81.5	80	78.5	77								130
135			76.5	75	73.5	70							135
140			73.5	72	70.5	69	61.5						140
145			70.5	69	67.5	66.5	61.5						145
150			67.5	66	65	63.5	60						150
155				63.5	62	61	58.8	48.3					155
160				61	59.7	58.6	57.1	47.8					160
165				58.8	57.4	56.3	54.8	47					165
170				56.6	55.3	54.1	52.7	46.1	42.2				170
175				54.6	53.2	52.1	50.7	45.3	41.8	31.4			175
180					51.3	50.2	48.8	44.5	41.4	31.1			180
185					49.5	48.4	46.9	43.8	40.9	30.5			185
190					47.7	46.6	45.3	43.1	40.3	30	25.9		190
195					46.1	45	43.7	42.4	39.8	29.4	25.6		195
200						43.5	42.1	41.3	39	28.9	25.2		200
205						42	40.7	39.9	38	28.4	24.8		205
210						40.6	39.3	38.5	36.9	28	24.5		210
215						39.3	38	37.2	35.6	27.5	24.1		215
220						38	36.7	35.9	34.4	27.1	23.8		220
225							35.5	34.7	33.2	26.7	23.4		225
230							34.4	33.6	32	26.3	23.1		230
235							33.3	32.5	30.9	26	22.8		235
240							32.3	31.4	29.9	25.6	22.6		240
245								30.4	28.9	25.2	22.3		245
250								29.4	27.9	24.9	22		250
255								28.5	27	24.5	21.8		255
260								27.6	26.1	24.2	21.5		260
265								26.7	25.2	23.8	21.3		265
270									24.4	23.2	20.9		270
275									23.6	22.4	20.4		275
280									22.9	21.6	19.8		280
285									22.2	20.9	19.2		285
290										20.2	18.6		290
300										18.9	17.5		300
310										17.7	16.6		310
320											15.7		320
325											15.2		325


\*+13 ft adapter

All information given are for reference only.

  
 155 ft  
75°

  
 69-299 ft

  
 363,800 lbs

  
 32'10"x31'6"

  
 360°

**85**

 85%

General Information

Hydraulic Truck Cranes

Crawler Cranes

Carry Decks

Rough Terrain Cranes

Rigging Equipment

Aerial Lifts

Transportation

All information given are for reference only.

ft	69	92	115	138	161	155* 184	207	230	253	276	299	ft
90	109											90
95	106											95
100	102	99										100
105	97.5	94.5										105
110	94	90.5	86.5									110
115		87	84									115
120		84	81	78								120
125		81	77.5	75								125
130		78.5	75	72.5	69.5							130
135		75.5	72.5	70	68							135
140			70.5	67.5	66	58.4						140
145			68	65.5	63.5	58.2						145
150			65.5	63.5	61.5	56.7	50.2					150
155			63	61.5	59.6	55.2	49.3					155
160				59.5	57.5	53.8	48.2	41.6				160
165				57.2	55.3	52.4	47	41.4				165
170				55	53.2	51.2	45.9	40.6				170
175				53.1	51.2	49.8	44.8	39.7	35.1			175
180				51.2	49.4	48.2	43.5	38.8	34.7			180
185					47.6	46.4	42.2	37.7	34.1			185
190					45.9	44.8	40.9	36.4	33.5	29.3		190
195					44.3	43.2	39.7	35.1	32.7	28.9	24	195
200					42.8	41.7	38.6	34	31.8	28.4	23.6	200
205						40.3	37.4	32.9	30.7	27.7	22.8	205
210						38.9	36.3	31.9	29.6	26.7	22	210
215						37.6	35.3	30.9	28.6	25.8	21.1	215
220						36.4	34.2	30	27.7	24.9	20.2	220
225						35.2	33.2	29.1	26.9	24	19.3	225
230							32.3	28.2	26	23.2	18.5	230
235							31.6	27.3	25.2	22.4	17.7	235
240							30.7	26.5	24.4	21.7	17	240
245							29.7	25.6	23.6	21	16.4	245
250								24.8	22.9	20.3	15.8	250
255								24.3	22.1	19.6	15.2	255
260								24.1	21.4	19	14.7	260
265								23.9	20.7	18.3	14.1	265
270								23.7	20	17.7	13.6	270
275								23.5	19.5	17.1	13.1	275
280									19.3	16.4	12.6	280
290									19.1	15.3	11.6	290
295									18.9	14.9	11.1	295
300										14.7	10.6	300
310										14.5	9.8	310
320										14.2	9.3	320
330											9.1	330
340											8.9	340

\*+13 ft adapter

General Information

Hydraulic Truck Cranes

Crawler Cranes

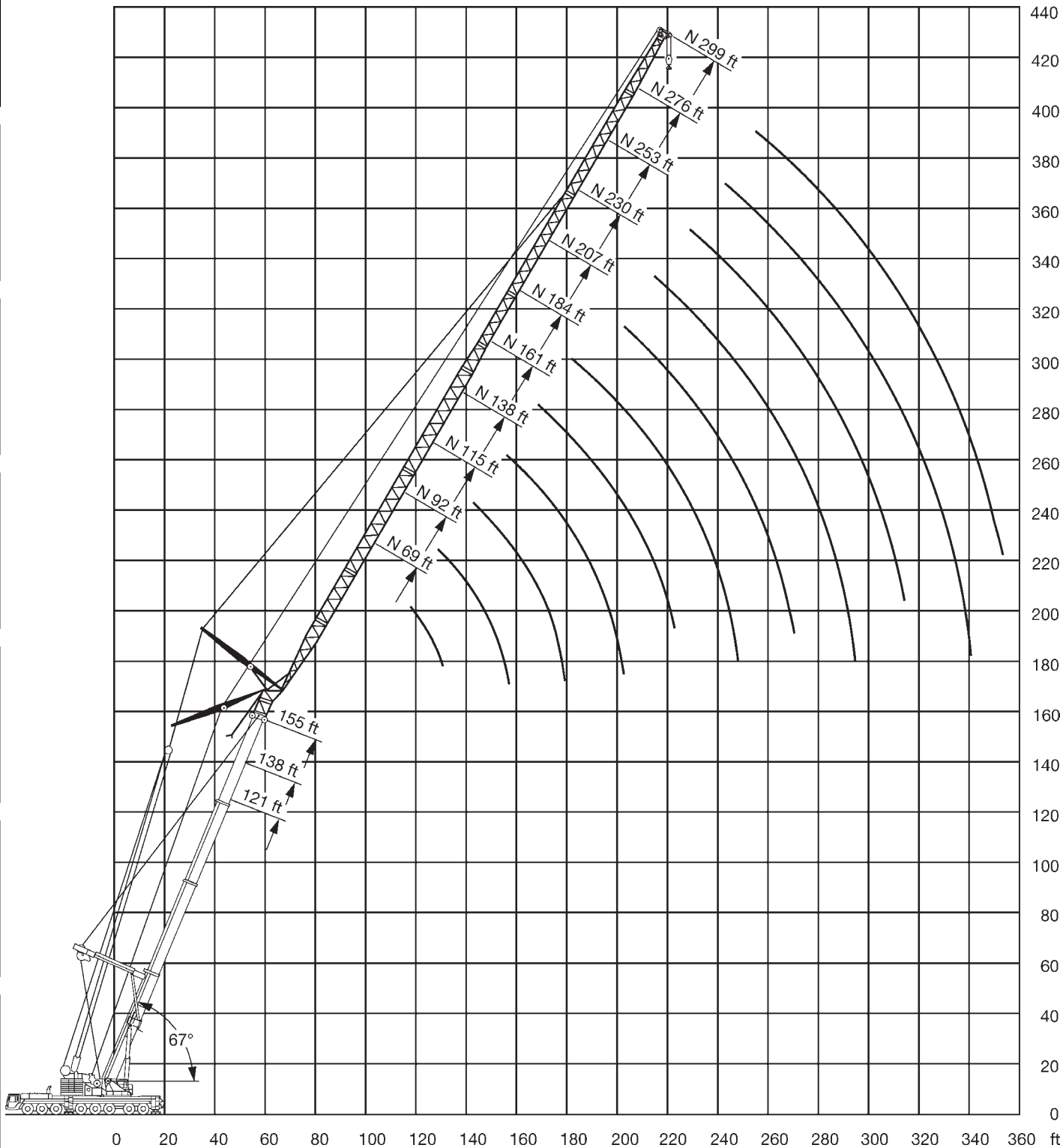
Carry Decks

Rough Terrain Cranes

Rigging Equipment

Aerial Lifts

Transportation



All information given are for reference only.

  
 121 ft  
67°

  
 69-299 ft

  
 363,800 lbs

  
 32'10"x31'6"

  
 360°

**85**

 85%

All information given are for reference only.

ft	69	92	115	138	161	121* 184	207	230	253	276	299	ft
100	97											100
105	97											105
110	92.5											110
115	88	83.5										115
120		82										120
125		78										125
130		74.5	72.5									130
135		71.5	70									135
140		68.5	67	63								140
145			64	63								145
150			61.5	60								150
155			59.1	57.7	55.1							155
160			56.8	55.5	54							160
165				53.3	51.8							165
170				51.3	49.8	47.8						170
175				49.4	47.9	46.2						175
180				47.7	46.2	44.4	42.2					180
185				46	44.5	42.8	41.8					185
190				44.4	42.9	41.2	40.2					190
195					41.4	39.7	38.7	37.3				195
200					40	38.3	37.3	36.5				200
205					38.6	37	36	35.1	32.2			205
210						35.7	34.7	33.8	32.2			210
215						34.5	33.5	32.6	31			215
220						33.3	32.4	31.5	29.9	27.8		220
225						32.2	31.3	30.4	28.8	27.4		225
230						31.2	30.2	29.3	27.7	26.4		230
235						30.2	29.2	28.3	26.7	25.4	23.8	235
240							28.2	27.3	25.8	24.4	23.1	240
245							27.3	26.4	24.8	23.5	22.1	245
250							26.4	25.5	23.9	22.6	21.3	250
255							25.6	24.7	23.1	21.8	20.5	255
260								23.9	22.3	21	19.6	260
265								23.1	21.5	20.2	18.9	265
270								22.3	20.8	19.5	18.1	270
275								21.6	20	18.8	17.4	275
280								20.9	19.3	18.1	16.7	280
285									18.7	17.4	16.1	285
290									18	16.8	15.4	290
295									17.4	16.1	14.8	295
300									16.8	15.5	14.2	300
310										14.4	13.1	310
320										13.3	12.1	320
325										12.8	11.7	325
330											11.3	330
340											10.6	340

\*+13 ft adapter

General Information

Hydraulic Truck Cranes

Crawler Cranes

Carry Decks

Rough Terrain Cranes

Rigging Equipment

Aerial Lifts

Transportation

# 650 t All Terrain Crane

LIEBHERR LTM 1500 - 164FT



General Information



138 ft  
67°



69-299 ft



363,800 lbs



32'10"x31'6"



360°

**85**

85%

Hydraulic Truck Cranes

Crawler Cranes

Carry Decks

Rough Terrain Cranes

Rigging Equipment

Aerial Lifts

Transportation

ft	69	92	115	138	161	138*	184	207	230	253	276	299	ft
110	87.5												110
115	85												115
120	81												120
125		75											125
130		72											130
135		68.5											135
140		65.5	64										140
145		63	61										145
150		60.5	58.6	56.8									150
155			56.3	54.9									155
160			54.1	52.7	49.5								160
165			52	50.6	49.1								165
170			50.1	48.7	47.2								170
175				46.9	45.4	43.4							175
180				45.2	43.7	42.4							180
185				43.6	42.1	40.8							185
190				42	40.5	39.3	37.6						190
195				40.6	39.1	37.9	36.3						195
200					37.7	36.5	34.9	33.2					200
205					36.4	35.2	33.7	32.8					205
210					35.2	33.9	32.5	31.6					210
215					34	32.8	31.3	30.4	28.4				215
220						31.7	30.2	29.3	27.7				220
225						30.6	29.1	28.3	26.6				225
230						29.5	28.1	27.3	25.6				230
235						28.6	27.2	26.3	24.7	23			235
240						27.7	26.2	25.4	23.8	22.4			240
245							25.4	24.5	22.9	21.5	20.1		245
250							24.5	23.6	22	20.7	20		250
255							23.7	22.8	21.2	19.9	19.2		255
260							22.9	22	20.4	19.1	18.4		260
265								21.3	19.7	18.3	17.7		265
270								20.5	19	17.6	16.9		270
275								19.9	18.3	16.9	16.3		275
280								19.2	17.6	16.3	15.6		280
285								18.5	17	15.7	15		285
290									16.3	15	14.3		290
295									15.8	14.4	13.7		295
300									15.2	13.9	13.2		300
305									14.6	13.3	12.6		305
310										12.8	12.1		310
315										12.3	11.7		315
320										11.9	11.3		320
325										11.6	10.9		325
330											10.6		330
340											9.8		340
350											9.1		350

\*+13 ft adapter


All information given are for reference only.



  
 155 ft  
 67°

  
 69-299 ft

  
 363,800 lbs

  
 32'10"x31'6"

  
 360°

**85**  
 85%

General Information

Hydraulic Truck Cranes

Crawler Cranes

Carry Decks

Rough Terrain Cranes

Rigging Equipment

Aerial Lifts

Transportation

All information given are for reference only.

ft	69	92	115	138	161	155*	184	207	230	253	276	299	ft
120	77												120
125	73.5												125
130	71	68											130
135		66											135
140		63											140
145		60.5	58.6										145
150		58	56.2										150
155		55.7	53.9										155
160			51.8	50.4									160
165			49.8	48.4									165
170			47.9	46.6	44.3								170
175			46.1	44.8	42.8								175
180				43.2	41.2	38.7							180
185				41.6	39.6	38.3							185
190				40.1	38.1	36.9							190
195				38.7	36.7	35.5							195
200				37.3	35.4	34.2	31.7						200
205					34.2	32.9	31.3						205
210					33	31.7	30.1						210
215					31.9	30.6	29	27					215
220					30.8	29.5	28	26.4					220
225						28.5	27	25.5	22.8				225
230						27.5	26	24.5	22.7				230
235						26.6	25.1	23.7	21.9				235
240						25.7	24.2	22.8	21.1	17.8			240
245						24.8	23.4	22	20.3	17.5			245
250							22.5	21.2	19.5	16.8			250
255							21.8	20.5	18.8	16.1	11.6		255
260							21	19.8	18	15.4	11.2		260
265							20.3	19.2	17.3	14.8	10.7		265
270								18.6	16.6	14.1	10.3		270
275								18	16	13.5	9.8		275
280								17.4	15.5	12.9	9.4		280
285								16.8	14.9	12.3	8.9		285
290								16.2	14.4	11.8	8.5		290
295								15.6	13.9	11.4	8.1		295
300									13.4	11	7.7		300
305									12.9	10.7	7.3		305
310									12.5	10.3	7		310
315										10	6.6		315
320										9.6	6.4		320
325										9.4	6.1		325
330										9.2	5.8		330
340										8.8	5.1		340
350											4.8		350

\*+13 ft adapter

# 650 t All Terrain Crane

LIEBHERR LTM 1500 - 164FT



General Information

Hydraulic Truck Cranes

Crawler Cranes

Carry Decks

Rough Terrain Cranes

Rigging Equipment

Aerial Lifts

Transportation

All information given are for reference only.