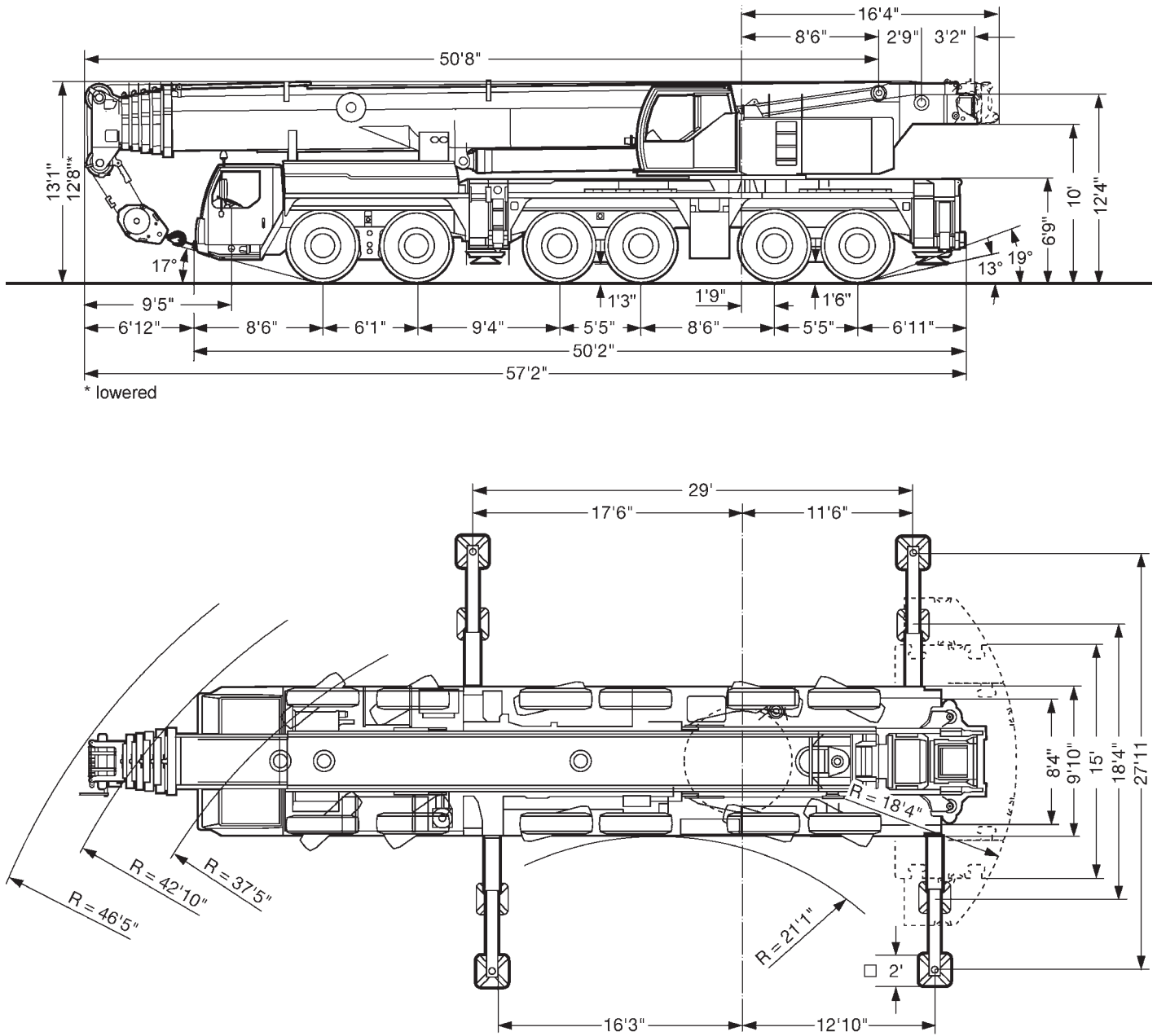


# 300 t All Terrain Crane



All information given are for reference only.

General Information

Hydraulic Truck Cranes

Crawler Cranes

Carry Decks

Rough Terrain Cranes

Rigging Equipment

Aerial Lifts

Transportation

General Information

Hydraulic Truck Cranes

Crawler Cranes

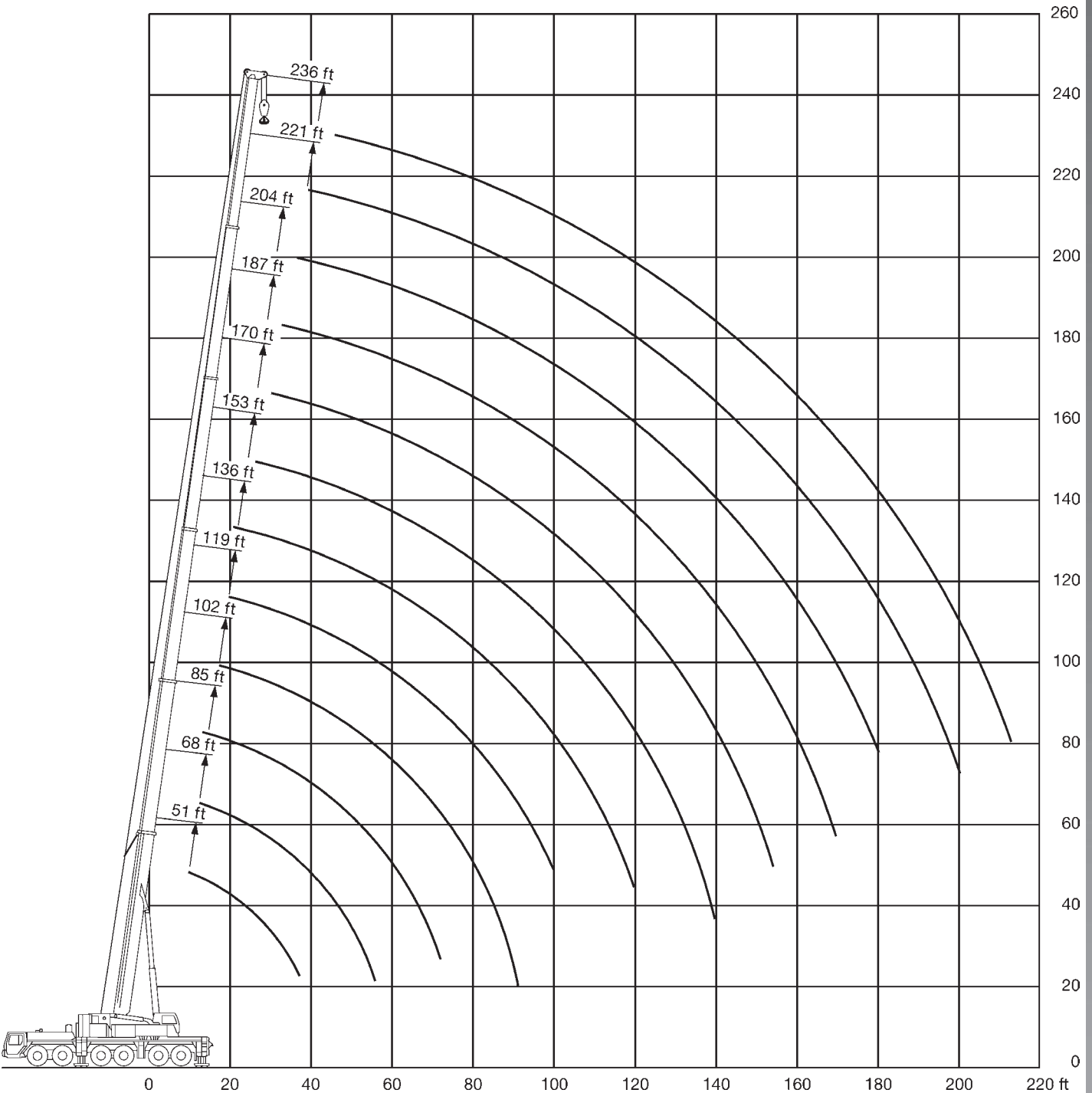
Carry Decks

Rough Terrain Cranes

Rigging Equipment

Aerial Lifts

Transportation



All information given are for reference only.

  
 51-236 ft

  
 214,900 lbs

  
 29'x27'11"

  
 360°

**85**  
 85%

All information given are for reference only.

ft	51*	51	68	85	88	102	119	125	136	153	162	170	187	199	204	221	236	ft
9		389																9
10	585	388	297															10
12	370	370	297	258	113													12
14	331	331	297	258	113													14
16	305	305	284	258	113	197												16
18	286	286	267	250	111	197	157	87.5										18
21	261	261	246	232	105	197	157	85.5	134									21
24	239	239	226	214	97.5	195	157	81	134	104								24
27	220	220	209	198	91	188	157	75.5	134	104	63	81.5						27
30	201	201	195	184	85	175	157	70.5	132	102	62.5	81.5	63.5					30
33	183	183	182	172	79	164	156	66	130	97.5	59.8	81	63.5					33
36	163	163	170	162	74.5	154	150	62.5	129	93.5	57.1	79	63.5	46.3	46.3			36
39	142	142	158	153	70.5	145	141	58.9	124	89.5	54.6	76.5	63.5	46.3	46.3	41.3		39
45			137	136	63	130	127	52.8	113	82	50.1	71.5	60.5	45.1	46.3	41.1		45
51			115	121	56.7	117	115	47.4	104	74.5	45.9	66	57.4	43.2	46.3	40.8	34	51
57			76.5	107	52	105	104	43.2	96	68	42	60.5	53.6	40.8	46	39.8	33.8	57
63				93	48.3	94.5	95	39.7	89	63	38.5	55.7	49.9	38.2	44	38.5	33.2	63
69				79	44.9	84	86	36.5	82.5	59.2	35.6	51	46.4	35.8	41.3	36.9	32.3	69
75					41.6	75	77.5	33.5	76.5	56.1	33	46.9	43.2	33.6	38.8	35.1	31	75
81						65.5	72.5	31	71	53.2	30.7	43.7	40	31.6	36.4	33.2	29.4	81
87						59.1	67	29.1	65	50.5	28.5	40.9	37	29.6	34.2	31.4	27.9	87
93							61	27.4	59.4	48	26.5	38.4	34.5	27.8	32.1	29.8	26.4	93
99							53.8	25.7	54.3	45.6	24.6	36.1	32.1	26.2	30.1	28.2	25.1	99
105								24.1	49.9	44	23.2	33.8	30.3	24.6	28.3	26.6	23.7	105
111								22.6	45.9	42.4	21.8	32	28.6	23.1	26.5	25.1	22.5	111
117									40.7	40.9	20.5	30.7	27	21.7	24.9	23.8	21.3	117
123									36.2	39.5	19.3	29.5	25.4	20.4	23.6	22.4	20.1	123
129										36.9	18.1	28.4	24.1	19.3	22.4	21.1	19	129
135										33.6	17.2	27.4	22.9	18.3	21.2	19.8	17.9	135
141										23.1	16.4	26.3	21.8	17.4	20.1	18.6	16.9	141
147											15.6	25.4	20.8	16.5	19.3	17.4	15.9	147
153												24.4	19.8	15.6	18.4	16.3	14.9	153
159													19	14.8	17.7	15.4	14	159
165													18.3	14	16.9	14.6	13.3	165
171													17.7	13.2	16.2	13.7	12.6	171
177													14.7	12.5	15.5	12.9	11.9	177
183														11.7	14.8	12.2	11.2	183
189																11.4	10.5	189
195																10.7	9.8	195
201																10	9.2	201
207																	8.5	207
213																	7.9	213

\*over rear

General Information

Hydraulic Truck Cranes

Crawler Cranes

Carry Decks

Rough Terrain Cranes

Rigging Equipment

Aerial Lifts

Transportation

# 300 t All Terrain Crane

LIEBHERR LTM 1250-6.1



51-236 ft



187,400 lbs



29'x27'11"



360°

**85**

85%

General Information

Hydraulic Truck Cranes

Crawler Cranes

Carry Decks

Rough Terrain Cranes

Rigging Equipment

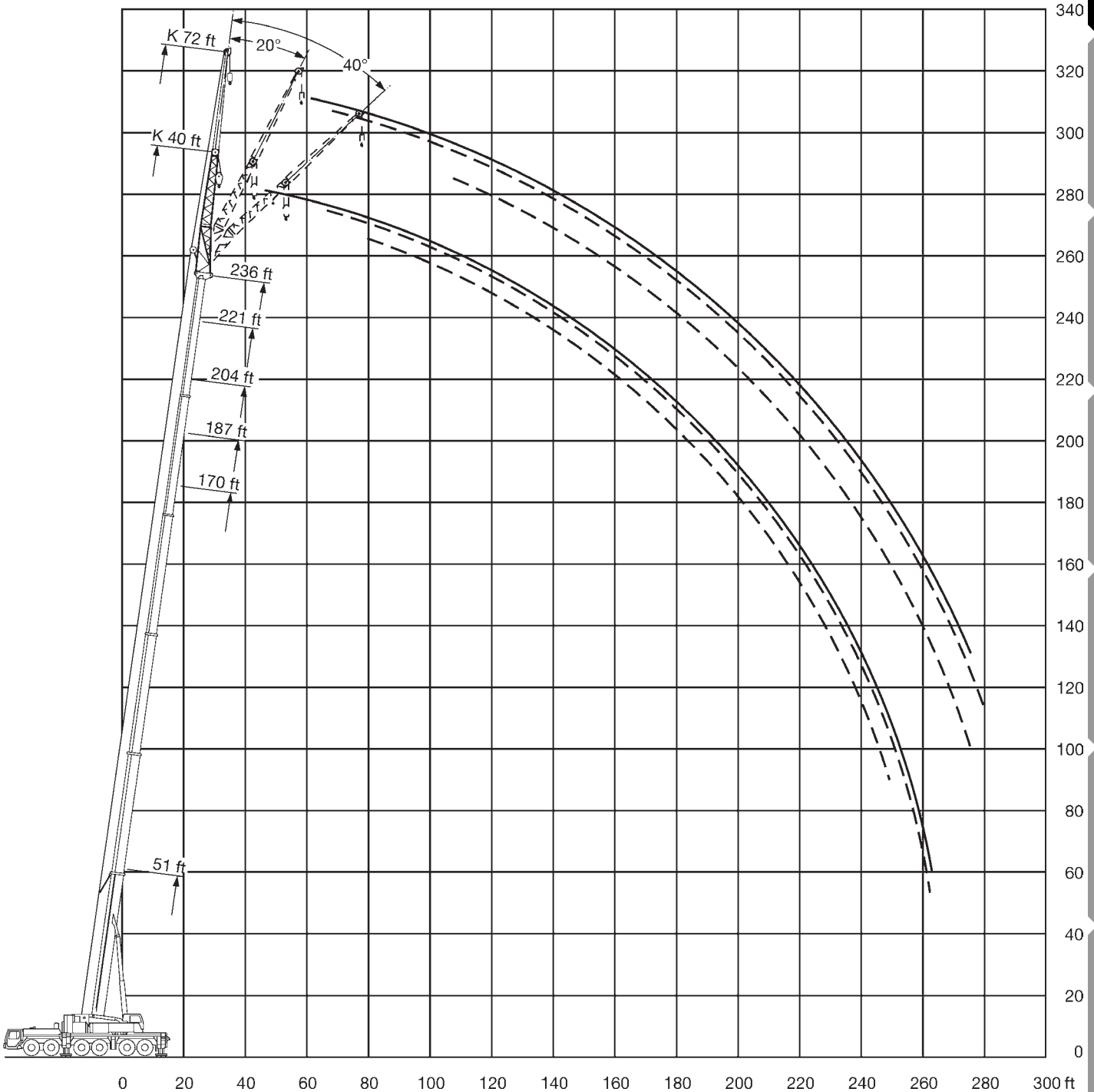
Aerial Lifts

Transportation

ft	51	68	85	88	102	119	125	136	153	162	170	187	199	204	221	236	ft
9	389																9
10	388	297															10
12	370	297	258	113													12
14	331	297	258	113													14
16	305	284	258	113	197												16
18	286	267	250	111	197	157	87.5										18
21	261	246	232	105	197	157	85.5	134									21
24	239	226	214	97.5	195	157	81	134	104								24
27	220	209	198	91	188	157	75.5	134	104	63	81.5						27
30	201	195	184	85	175	157	70.5	132	102	62.5	81.5	63.5					30
33	183	182	172	79	164	156	66	130	97.5	59.8	81	63.5					33
36	163	170	162	74.5	154	150	62.5	129	93.5	57.1	79	63.5	46.3	46.3			36
39	142	158	153	70.5	145	141	58.9	124	89.5	54.6	76.5	63.5	46.3	46.3	41.3		39
45		137	136	63	130	127	52.8	113	82	50.1	71.5	60.5	45.1	46.3	41.1		45
51		115	119	56.7	116	115	47.4	104	74.5	45.9	66	57.4	43.2	46.3	40.8	34	51
57		76.5	103	52	102	103	43.2	96	68	42	60.5	53.6	40.8	46	39.8	33.8	57
63			90.5	48.3	89	91.5	39.7	89	63	38.5	55.7	49.9	38.2	44	38.5	33.2	63
69			78.5	44.9	78.5	83	36.5	82	59.2	35.6	51	46.4	35.8	41.3	36.9	32.3	69
75				41.6	70	76.5	33.5	74.5	56.1	33	46.9	43.2	33.6	38.8	35.1	31	75
81					64.5	69	31	67	53.2	30.7	43.7	40	31.6	36.4	33.2	29.4	81
87					59.1	63	29.1	61	50.5	28.5	40.9	37	29.6	34.2	31.4	27.9	87
93						57.3	27.4	55.2	48	26.5	38.4	34.5	27.8	32.1	29.8	26.4	93
99						52.4	25.7	50.2	45.6	24.6	36.1	32.1	26.2	30.1	28.2	25.1	99
105							24.1	45.8	44	23.2	33.8	30.3	24.6	28.3	26.6	23.7	105
111							22.6	42	42.4	21.8	32	28.6	23.1	26.5	25.1	22.5	111
117								38.6	40.3	20.5	30.7	27	21.7	24.9	23.8	21.3	117
123								36.2	37.4	19.3	29.5	25.4	20.4	23.6	22.4	20.1	123
129									34.6	18.1	28.4	24.1	19.3	22.4	21.1	19	129
135									32.2	17.2	27.4	22.9	18.3	21.2	19.8	17.9	135
141									22.6	16.4	26.3	21.8	17.4	20.1	18.6	16.9	141
147										15.6	25.4	20.8	16.5	19.3	17.4	15.9	147
153											24.4	19.8	15.6	18.4	16.3	14.9	153
159												19	14.8	17.7	15.4	14	159
165												18.3	14	16.9	14.6	13.3	165
171												17.7	13.2	16.2	13.7	12.6	171
177												14.7	12.5	15.5	12.9	11.9	177
183													11.7	14.8	12.2	11.2	183
189															11.4	10.5	189
195															10.7	9.8	195
201															10	9.2	201
207																8.5	207
213																7.9	213

All information given are for reference only.

All information given are for reference only.



General Information

Hydraulic Truck Cranes

Crawler Cranes

Carry Decks

Rough Terrain Cranes

Rigging Equipment

Aerial Lifts

Transportation

# 300 t All Terrain Crane

## LIEBHERR LTM 1250-6.1



General Information

  
170-236 ft

  
40 ft

  
187,400 lbs

  
29'x27'11"

  
360°

**85**  
85%

Hydraulic Truck Cranes

Crawler Cranes

Carry Decks

Rough Terrain Cranes

Rigging Equipment

Aerial Lifts

Transportation

ft	0°	170 20°	40°	0°	187 20°	40°	0°	204 20°	40°	0°	221 20°	40°	0°	236 20°	40°	ft
32	40															32
34	40															34
36	40			34.9												36
38	39.7			34.9												38
40	39.5			34.9												40
45	38.9	32.3		34.9			29.1			23.3						45
50	38.3	31.4		34.6	30.6		29.1			23.3			19.6			50
55	37.6	30.3	22.8	34.2	30.1	22.6	29.1	27.9		23.3			19.6			55
60	36.8	29.2	22.7	33.8	29.2	22.5	28.9	27.8		23.3			19.6			60
65	36.2	28.2	22.3	33.5	28.3	22.2	28.7	27.4	21.6	23.3	23.3		19.6	19.6		65
70	35.5	27.5	21.9	32.9	27.5	21.8	28.5	26.7	21.4	23.3	23.3		19.6	19.6		70
75	34.8	26.8	21.6	32.4	26.8	21.5	28.2	26.1	21.1	23.2	23	20.2	19.6	19.6		75
80	33.9	26.1	21.3	31.7	26.1	21.2	27.9	25.5	20.8	22.9	22.5	20.2	19.6	19.6		80
85	32.6	25.4	21	30.6	25.5	20.9	26.9	24.9	20.6	22.2	22.1	20	19.3	19.4	19.2	85
90	31.1	24.8	20.8	29.2	24.9	20.7	25.8	24.4	20.3	21.6	21.5	19.8	18.7	18.9	19	90
95	29.7	24.2	20.5	27.8	24.4	20.5	24.6	23.9	20.2	21	20.8	19.6	18.2	18.3	18.6	95
100	28.3	23.6	20.3	26.5	23.9	20.2	23.6	23.4	20	20.4	20.2	19.4	17.7	17.8	18.1	100
105	27	23.2	20.1	25.2	23.4	20	22.5	22.9	19.8	19.8	19.6	19.3	17.1	17.3	17.7	105
110	25.8	22.8	19.9	24	22.9	19.9	21.6	22.1	19.7	19.2	18.9	18.9	16.6	16.9	17.2	110
115	24.6	22.3	19.8	22.9	22.5	19.7	20.6	21.3	19.6	18.6	18.3	18.4	16.1	16.4	16.7	115
120	23.4	22	19.6	21.8	21.9	19.6	19.7	20.3	19.4	17.9	17.8	17.8	15.7	16	16.2	120
125	22.4	21.6	19.5	20.7	21.2	19.4	18.8	19.4	19.2	17.2	17.2	17.3	15.2	15.5	15.7	125
130	21.5	21.2	19.4	19.5	20.1	19.2	17.9	18.5	18.9	16.5	16.7	16.7	14.5	14.9	15.2	130
135	20.6	20.5	19.3	18.4	19.1	19.1	17.1	17.6	18.1	15.8	16.1	16.2	13.9	14.4	14.7	135
140	19.7	19.6	19.1	17.4	18.1	18.6	16.3	16.8	17.3	15.1	15.6	15.7	13.3	13.8	14.2	140
145	18.8	18.8	18.9	16.6	17.1	17.7	15.5	15.9	16.5	14.4	15	15.2	12.7	13.2	13.7	145
150	18	18.1	18.2	15.9	16.1	16.8	14.7	15.1	15.7	13.8	14.3	14.8	12.1	12.6	13.1	150
155	17.2	17.3	17.5	15.4	15.4	15.9	13.9	14.4	14.9	13.2	13.7	14.2	11.5	12	12.5	155
160	16.5	16.6	16.8	14.8	14.7	15	13.3	13.6	14.1	12.6	13.1	13.5	11	11.4	11.9	160
165	15.9	15.9	16.2	14.2	14.1	14.3	12.8	13	13.4	12	12.5	12.8	10.4	10.9	11.4	165
170	15.3	15.3	15.5	13.7	13.5	13.7	12.3	12.5	12.7	11.5	11.9	12.2	9.9	10.3	10.8	170
175	14.8	14.8	14.9	13.2	12.9	13.1	11.9	12	12.1	10.9	11.3	11.6	9.4	9.8	10.2	175
180	14.2	14.3	14.3	12.7	12.4	12.6	11.4	11.5	11.6	10.3	10.7	11	8.9	9.4	9.7	180
185	13.7	13.8		12.2	11.9	12.1	11	11.1	11.1	9.7	10.1	10.4	8.5	8.9	9.2	185
190	13.2	13.3		11.7	11.5	11.5	10.5	10.7	10.7	9.2	9.6	9.9	8.1	8.5	8.8	190
195	9.7			11.2	11	11.1	10.1	10.3	10.3	8.6	9.1	9.3	7.7	8	8.3	195
200				10.8	10.6		9.7	9.9	9.8	8.2	8.7	8.8	7.3	7.6	7.9	200
205				10.3	10.2		9.3	9.5	9.4	7.8	8.2	8.2	7	7.1	7.5	205
210							9	9.1	9	7.3	7.8	7.7	6.6	6.7	7.1	210
215							8.6	8.7	8.6	7	7.3	7.2	6.3	6.4	6.7	215
220							8.2	8.3		6.6	6.9	6.7	6	6	6.2	220
225										6.2	6.5	6.3	5.6	5.6	5.8	225
230										5.8	6.1		5.2	5.3	5.4	230
235										5.5	5.7		4.9	4.9	5	235
240										5.1	5.3		4.5	4.6	4.6	240
245													4.1	4.3		245
250													3.8	3.9		250
255													3.4	3.5		255

All information given are for reference only.



170-236 ft



72 ft



187,400 lbs



29'x27'11"



360°

**85**  
85%

All information given are for reference only.

ft	170			187			204			221			236			ft
	0°	20°	40°	0°	20°	40°	0°	20°	40°	0°	20°	40°	0°	20°	40°	
36	17															36
38	17			16												38
40	17			16												40
45	17			16			14.3									45
50	17			16			14.3			13.1						50
55	17			16			14.3			13.1			11.6			55
60	16.9			16			14.3			13.1			11.6			60
65	16.8	14.6		15.9			14.3			13			11.6			65
70	16.5	14.4		15.7	14		14.3			12.9			11.6			70
75	16.3	14.1		15.5	13.8		14.2	12.9		12.9			11.6			75
80	16	13.8		15.3	13.5		14.1	12.8		12.8			11.6			80
85	15.8	13.6	11.4	15.1	13.3	11.2	14	12.7		12.6	11.9		11.6			85
90	15.6	13.3	11.3	14.9	13	11.1	13.9	12.5	10.7	12.6	11.8		11.5	10.9		90
95	15.3	13	11.1	14.7	12.8	11	13.7	12.3	10.7	12.5	11.6	10.2	11.4	10.9		95
100	15	12.8	10.9	14.5	12.6	10.9	13.6	12.1	10.6	12.4	11.4	10.2	11.3	10.8	9.7	100
105	14.7	12.5	10.7	14.3	12.4	10.7	13.4	11.9	10.5	12.3	11.3	10.1	11.2	10.7	9.7	105
110	14.4	12.3	10.5	14.1	12.1	10.6	13.3	11.7	10.3	12.2	11.1	10	11.2	10.6	9.7	110
115	14.2	12.1	10.4	13.8	12	10.4	13.1	11.6	10.2	12.1	11	9.9	11.1	10.5	9.6	115
120	13.9	11.9	10.2	13.6	11.8	10.2	12.9	11.4	10.2	12	10.9	9.8	11.1	10.4	9.4	120
125	13.6	11.7	10	13.4	11.6	10.1	12.8	11.2	10	11.9	10.7	9.7	11	10.3	9.3	125
130	13.3	11.5	9.9	13.2	11.4	10	12.6	11.1	9.9	11.8	10.6	9.5	10.9	10.2	9.2	130
135	13.1	11.4	9.8	12.9	11.3	9.9	12.4	11	9.8	11.7	10.5	9.4	10.9	10.1	9.1	135
140	12.8	11.2	9.7	12.7	11.1	9.8	12.3	10.8	9.6	11.6	10.4	9.4	10.8	10	9	140
145	12.6	11.1	9.7	12.5	11	9.7	12.1	10.7	9.5	11.4	10.3	9.3	10.7	10	9	145
150	12.4	10.9	9.6	12.3	10.9	9.6	11.9	10.7	9.5	11.3	10.2	9.2	10.4	9.9	8.9	150
155	12.2	10.8	9.5	12.2	10.8	9.6	11.8	10.6	9.4	11.2	10.2	9.1	10	9.8	8.8	155
160	12.1	10.7	9.5	12	10.7	9.5	11.6	10.5	9.4	11	10.1	9	9.6	9.7	8.8	160
165	11.9	10.6	9.4	11.8	10.7	9.5	11.4	10.4	9.3	10.7	10	9	9.1	9.6	8.7	165
170	11.8	10.5	9.3	11.6	10.6	9.4	11.1	10.4	9.2	10.2	9.9	9	8.8	9.5	8.7	170
175	11.6	10.3	9.3	11.4	10.5	9.4	10.6	10.3	9.2	9.8	9.8	9	8.4	9.2	8.6	175
180	11.5	10.2	9.3	11	10.3	9.4	10.1	10.1	9.2	9.4	9.7	9	8	8.8	8.6	180
185	11.3	10.1	9.3	10.6	10.2	9.3	9.7	10	9.2	9	9.5	9	7.6	8.4	8.6	185
190	11.1	10	9.3	10.2	10	9.3	9.2	9.8	9.2	8.6	9.3	9	7.3	8	8.6	190
195	10.8	9.8	9.3	9.8	9.9	9.3	8.8	9.4	9.2	8.2	8.9	9	6.9	7.6	8.3	195
200	10.6	9.7	9.3	9.5	9.6	9.3	8.4	8.9	9	7.8	8.5	8.8	6.6	7.2	7.9	200
205	10.3	9.7	9.3	9.1	9.3	9.2	8.1	8.5	8.7	7.4	8.1	8.5	6.3	6.9	7.5	205
210	10	9.7	9.3	8.8	8.9	9.1	7.7	8.1	8.4	7	7.7	8.1	6	6.5	7.1	210
215	9.7	9.6	9.3	8.4	8.6	8.7	7.5	7.8	8.1	6.7	7.2	7.6	5.7	6.2	6.7	215
220	9.3	9.4		8.1	8.2	8.3	7.2	7.4	7.7	6.3	6.8	7.2	5.4	5.9	6.4	220
225				7.8	7.9	7.9	6.9	7.1	7.4	6	6.4	6.7	5.1	5.6	6	225
230				7.5	7.5		6.7	6.8	7	5.7	6.1	6.3	4.9	5.3	5.6	230
235				7.2	7.2		6.4	6.6	6.7	5.4	5.7	5.9	4.5	5	5.3	235
240				6.9			6.2	6.3	6.3	5.1	5.4	5.5	4.2	4.7	5	240
245							6	6.1		4.9	5.1	5.2	3.9	4.4	4.6	245
250							5.7	5.8		4.6	4.8	4.8	3.6	4.1	4.3	250
255							5.5	5.6		4.3	4.4	4.4	3.3	3.7	3.9	255
260										4	4.2	4.1	3	3.4	3.5	260
265										3.7	3.8		2.7	3	3.1	265
270										3.4	3.5		2.4	2.7	2.7	270
275										3.1	3.2		2.2	2.4	2.3	275

General Information

Hydraulic Truck Cranes

Crawler Cranes

Carry Decks

Rough Terrain Cranes

Rigging Equipment

Aerial Lifts

Transportation

# 300 t All Terrain Crane

LIEBHERR LTM 1250-6.1



General Information

Hydraulic Truck Cranes

Crawler Cranes

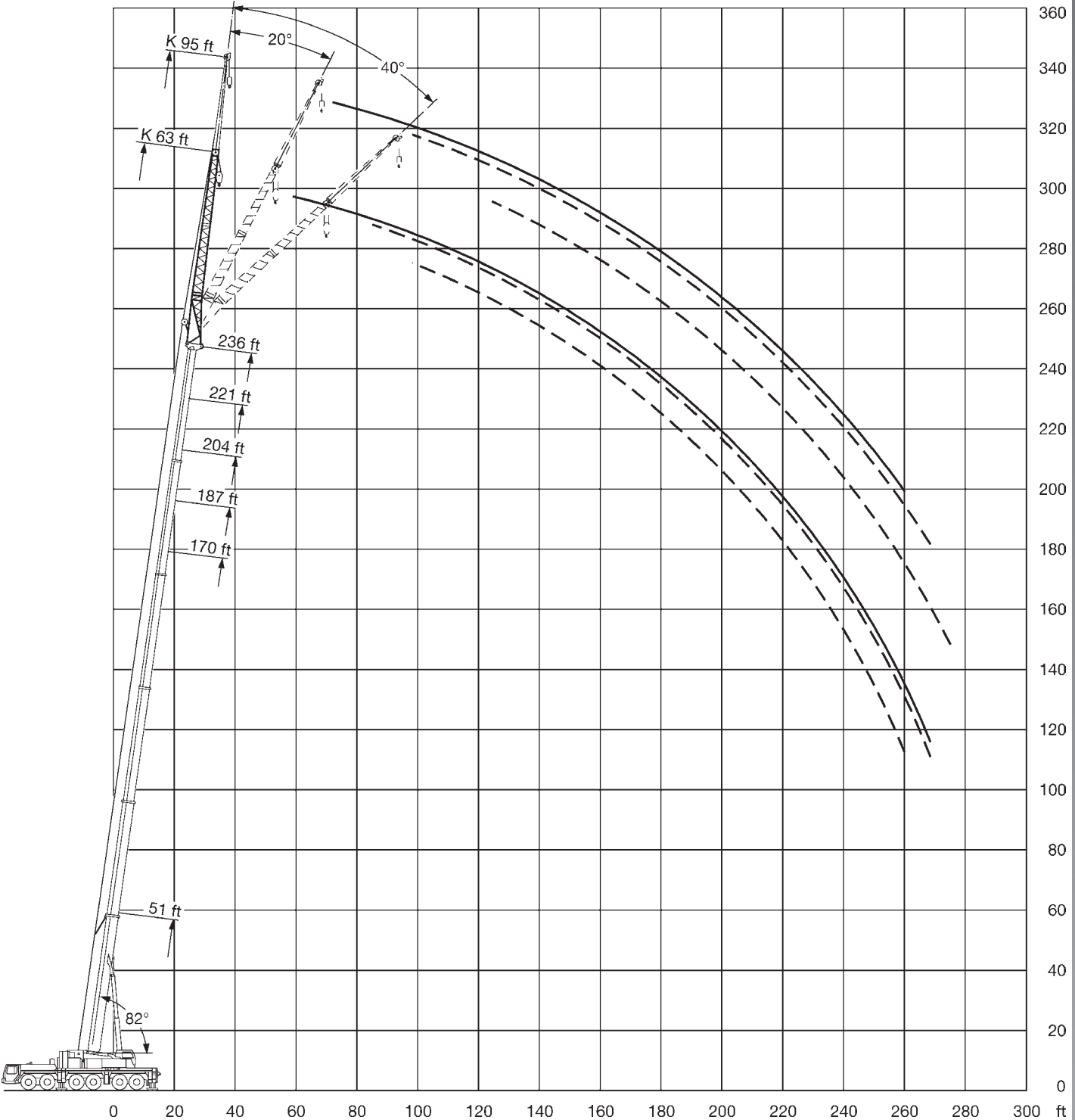
Carry Decks

Rough Terrain Cranes

Rigging Equipment

Aerial Lifts

Transportation



All information given are for reference only.





170-236 ft



95 ft



187,400 lbs



29'x27'11"



360°

**85**  
85%

All information given are for reference only.

ft	170			187			204			221			236			ft
	0°	20°	40°	0°	20°	40°	0°	20°	40°	0°	20°	40°	0°	20°	40°	
38	12.9															38
40	12.9															40
45	12.9			11.6												45
50	12.9			11.6			10.2									50
55	12.8			11.6			10.2			9						55
60	12.8			11.6			10.2			9						60
65	12.8			11.6			10.2			9						65
70	12.7			11.6			10.2			9			7.8			70
75	12.5	10		11.6			10.2			9			7.8			75
80	12.2	9.9		11.6			10.2			9			7.8			80
85	11.8	9.6		11.5	9.2		10.2	8.5		9			7.8			85
90	11.5	9.3		11.2	9.1		10.2	8.5		9	7.8		7.8			90
95	11.2	9.1	7	10.9	8.9		10.1	8.4		9	7.8		7.8	7		95
100	10.9	8.8	7	10.6	8.7	6.8	9.9	8.2		9	7.7		7.8	7		100
105	10.6	8.6	6.9	10.4	8.4	6.8	9.7	8.1		8.9	7.5		7.8	7		105
110	10.4	8.4	6.8	10.2	8.3	6.7	9.5	7.9	6.3	8.7	7.4		7.8	7		110
115	10.1	8.2	6.6	9.9	8.1	6.6	9.3	7.7	6.3	8.6	7.3	5.8	7.8	6.9		115
120	9.9	8	6.5	9.7	7.9	6.5	9.1	7.5	6.3	8.4	7.1	5.8	7.7	6.8	5.6	120
125	9.6	7.8	6.4	9.4	7.7	6.4	8.9	7.4	6.3	8.2	7	5.8	7.7	6.6	5.6	125
130	9.4	7.6	6.3	9.2	7.5	6.3	8.8	7.3	6.2	8.1	6.9	5.8	7.6	6.5	5.6	130
135	9.2	7.5	6.2	9	7.4	6.2	8.6	7.1	6.1	7.9	6.8	5.8	7.4	6.4	5.6	135
140	9	7.3	6.1	8.8	7.2	6.1	8.4	7	6	7.8	6.7	5.8	7.3	6.3	5.6	140
145	8.8	7.1	6	8.6	7.1	6	8.2	6.8	6	7.7	6.5	5.8	7.2	6.3	5.6	145
150	8.6	7	5.9	8.5	6.9	6	8.1	6.7	5.9	7.5	6.4	5.8	7.1	6.2	5.6	150
155	8.4	6.9	5.9	8.3	6.8	5.9	7.9	6.6	5.9	7.4	6.3	5.7	7	6.1	5.6	155
160	8.2	6.8	5.8	8.1	6.7	5.8	7.7	6.6	5.8	7.3	6.3	5.7	6.9	6	5.5	160
165	8	6.7	5.8	7.9	6.6	5.7	7.6	6.5	5.7	7.2	6.2	5.6	6.8	6	5.5	165
170	7.9	6.6	5.7	7.8	6.6	5.7	7.4	6.4	5.7	7.1	6.1	5.6	6.7	5.9	5.4	170
175	7.7	6.5	5.7	7.6	6.5	5.6	7.3	6.4	5.6	7	6.1	5.5	6.6	5.8	5.4	175
180	7.6	6.4	5.6	7.5	6.4	5.6	7.2	6.3	5.6	6.9	6	5.5	6.5	5.8	5.4	180
185	7.4	6.2	5.6	7.3	6.3	5.5	7.1	6.2	5.5	6.8	6	5.4	6.4	5.8	5.4	185
190	7.3	6.1	5.6	7.2	6.3	5.5	7	6.1	5.5	6.7	6	5.4	6.3	5.7	5.3	190
195	7.1	6.1	5.6	7.1	6.2	5.4	6.9	6.1	5.4	6.6	5.9	5.4	6.1	5.7	5.3	195
200	7	6	5.6	7	6.1	5.4	6.8	6.1	5.4	6.6	5.9	5.4	5.8	5.6	5.3	200
205	6.8	5.9	5.6	6.9	6.1	5.4	6.8	6	5.4	6.5	5.9	5.4	5.5	5.6	5.3	205
210	6.7	5.8	5.6	6.8	6	5.4	6.7	6	5.4	6.4	5.8	5.4	5.3	5.5	5.3	210
215	6.6	5.8	5.6	6.7	5.9	5.4	6.5	5.9	5.4	6.1	5.8	5.4	5	5.5	5.3	215
220	6.5	5.8	5.6	6.6	5.9	5.4	6.3	5.9	5.4	5.8	5.8	5.4	4.7	5.4	5.3	220
225	6.4	5.7	5.6	6.5	5.8	5.4	6.1	5.8	5.4	5.6	5.8	5.4	4.4	5.3	5.3	225
230	6.3	5.7	5.6	6.4	5.8	5.4	5.9	5.8	5.4	5.3	5.7	5.4	4.2	5	5.3	230
235	6.2	5.7	5.6	6.2	5.7	5.4	5.7	5.7	5.4	5	5.6	5.4	3.9	4.7	5.1	235
240	6.1	5.7		6	5.6	5.4	5.5	5.4	5.4	4.7	5.3	5.4	3.6	4.4	4.9	240
245	6			5.8	5.6	5.4	5.3	5.3	5.4	4.4	5	5.3	3.4	4.1	4.7	245
250				5.6	5.5		5.1	5.1	5.4	4.1	4.7	5	3.1	3.8	4.3	250
255				5.4	5.4		4.9	4.9	5.1	3.7	4.4	4.6	2.9	3.5	4	255
260				5.2	5.3		4.7	4.8	4.8	3.5	4.1	4.3	2.6	3.2	3.6	260
265							4.5	4.6	4.4	3.2	3.7	3.9		2.9	3.2	265
270							4.3	4.4		2.9	3.4	3.5		2.6	2.8	270
275							4.2	4.2		2.7	3.1	3.1		2.3	2.5	275
280							4			2.4	2.8	2.7				280
285											2.4					285

General Information

Hydraulic Truck Cranes

Crawler Cranes

Carry Decks

Rough Terrain Cranes

Rigging Equipment

Aerial Lifts

Transportation

General Information

Hydraulic Truck Cranes

Crawler Cranes

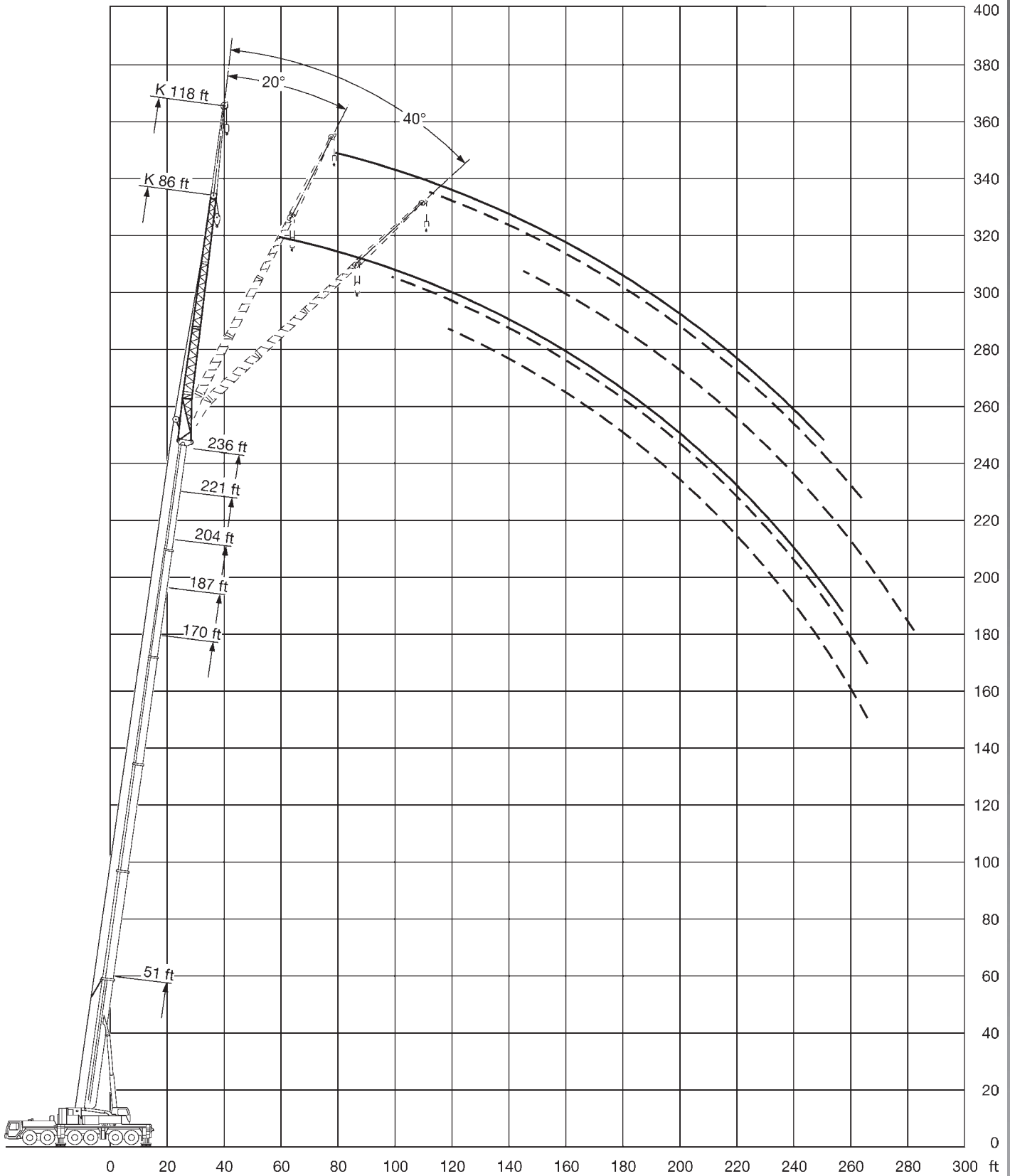
Carry Decks

Rough Terrain Cranes

Rigging Equipment

Aerial Lifts

Transportation



All information given are for reference only.

  
 170-236 ft

  
 118 ft

  
 187,400 lbs

  
 29'x27'11"

  
 360°

**85**  
 85%

All information given are for reference only.

ft	170			187			204			221			236			ft
	0°	20°	40°	0°	20°	40°	0°	20°	40°	0°	20°	40°	0°	20°	40°	
50	8.5															50
55	8.5			7.8												55
60	8.5			7.8												60
65	8.5			7.8			6.8									65
70	8.5			7.8			6.8			5.8						70
75	8.5			7.8			6.8			5.8			4.9			75
80	8.5			7.8			6.8			5.8			4.9			80
85	8.3			7.8			6.8			5.8			4.9			85
90	8.1	6.1		7.7	5.8		6.8			5.8			4.9			90
95	7.8	6		7.6	5.8		6.8			5.8			4.9			95
100	7.6	6		7.3	5.7		6.8	5.1		5.8	4.6		4.9			100
105	7.4	5.8		7.1	5.6		6.6	5.1		5.8	4.6		4.9			105
110	7.2	5.7		6.9	5.5		6.5	5.1		5.8	4.6		4.9	4.1		110
115	7	5.5	4.1	6.7	5.4		6.3	5.1		5.7	4.6		4.9	4.1		115
120	6.8	5.3	4.1	6.5	5.3	3.9	6.2	5.1		5.6	4.6		4.9	4.1		120
125	6.6	5.2	4.1	6.4	5.1	3.9	6	4.9		5.6	4.6		4.9	4.1		125
130	6.4	5.1	4.1	6.2	5	3.9	5.9	4.8	3.6	5.4	4.6		4.9	4.1		130
135	6.2	5	4	6.1	4.9	3.9	5.7	4.7	3.6	5.3	4.5	3.5	4.9	4.1		135
140	6.1	4.8	3.9	5.9	4.8	3.9	5.6	4.6	3.6	5.2	4.4	3.5	4.8	4.1	3.2	140
145	5.9	4.7	3.9	5.8	4.7	3.9	5.5	4.6	3.6	5.1	4.3	3.5	4.8	4.1	3.2	145
150	5.8	4.6	3.9	5.7	4.6	3.7	5.4	4.5	3.6	5	4.2	3.5	4.7	4	3.2	150
155	5.6	4.5	3.8	5.6	4.5	3.6	5.3	4.4	3.6	4.9	4.2	3.5	4.6	4	3.2	155
160	5.5	4.4	3.7	5.4	4.4	3.6	5.2	4.3	3.6	4.9	4.1	3.5	4.6	3.9	3.2	160
165	5.3	4.4	3.7	5.3	4.3	3.6	5.1	4.2	3.6	4.8	4	3.5	4.5	3.9	3.2	165
170	5.2	4.4	3.7	5.2	4.3	3.6	5	4.1	3.5	4.7	4	3.5	4.4	3.8	3.2	170
175	5.1	4.3	3.6	5.1	4.2	3.6	4.9	4.1	3.5	4.6	3.9	3.5	4.4	3.8	3.2	175
180	5	4.2	3.6	5	4.2	3.6	4.8	4	3.5	4.6	3.9	3.4	4.3	3.7	3.2	180
185	4.9	4.2	3.6	4.9	4.1	3.6	4.7	4	3.5	4.5	3.8	3.4	4.3	3.7	3.2	185
190	4.8	4.1	3.5	4.8	4.1	3.5	4.6	4	3.5	4.4	3.8	3.4	4.2	3.6	3.2	190
195	4.7	4	3.5	4.7	4	3.5	4.6	3.9	3.5	4.4	3.7	3.4	4.1	3.6	3.2	195
200	4.6	4	3.5	4.6	4	3.5	4.5	3.9	3.5	4.3	3.7	3.4	4.1	3.6	3.2	200
205	4.6	3.9	3.4	4.6	3.9	3.4	4.4	3.9	3.4	4.2	3.7	3.4	4.1	3.5	3.2	205
210	4.5	3.9	3.4	4.5	3.9	3.4	4.4	3.8	3.4	4.2	3.7	3.4	4	3.5	3.2	210
215	4.4	3.8	3.4	4.4	3.8	3.4	4.3	3.8	3.4	4.1	3.7	3.4	3.9	3.5	3.2	215
220	4.3	3.8	3.4	4.4	3.8	3.4	4.3	3.7	3.4	4.1	3.6	3.4	3.8	3.4	3.2	220
225	4.2	3.7	3.4	4.3	3.8	3.4	4.2	3.7	3.4	4.1	3.6	3.4	3.7	3.4	3.2	225
230	4.2	3.7	3.4	4.3	3.7	3.4	4.1	3.7	3.4	4	3.6	3.4	3.4	3.4	3.2	230
235	4.1	3.6	3.4	4.2	3.7	3.4	4.1	3.6	3.4	4	3.6	3.4	3.2	3.3	3.2	235
240	4.1	3.6	3.4	4.1	3.6	3.4	4	3.6	3.4	3.9	3.5	3.4	2.9	3.3	3.2	240
245	4	3.5	3.4	4.1	3.6	3.4	4	3.5	3.4	3.8	3.5	3.3	2.7	3.2	3.2	245
250	3.9	3.5	3.4	4	3.6	3.4	3.9	3.5	3.4	3.6	3.4	3.3		3.1	3.2	250
255	3.9	3.5	3.4	4	3.5	3.4	3.9	3.5	3.4	3.3	3.4	3.3		3	3.2	255
260	3.8	3.4		3.9	3.5	3.4	3.8	3.4	3.4	3	3.4	3.3		2.8	3.2	260
265	3.7	3.4		3.8	3.4	3.4	3.8	3.4	3.4	2.7	3.3	3.3		2.6	3.1	265
270				3.7	3.4		3.6	3.3	3.3	2.5	3.2	3.2			2.9	270
275				3.7	3.4		3.4	3.3	3.2	2.2	2.9	3.2			2.6	275
280				3.7	3.4		3.3	3.3	3.2		2.6	2.9			2.3	280
285				3.6			3.1	3.2				2.5				285
290							2.9	3.1								290
295							2.7	2.9								295
300							2.6	2.7								300

General Information

Hydraulic Truck Cranes

Crawler Cranes

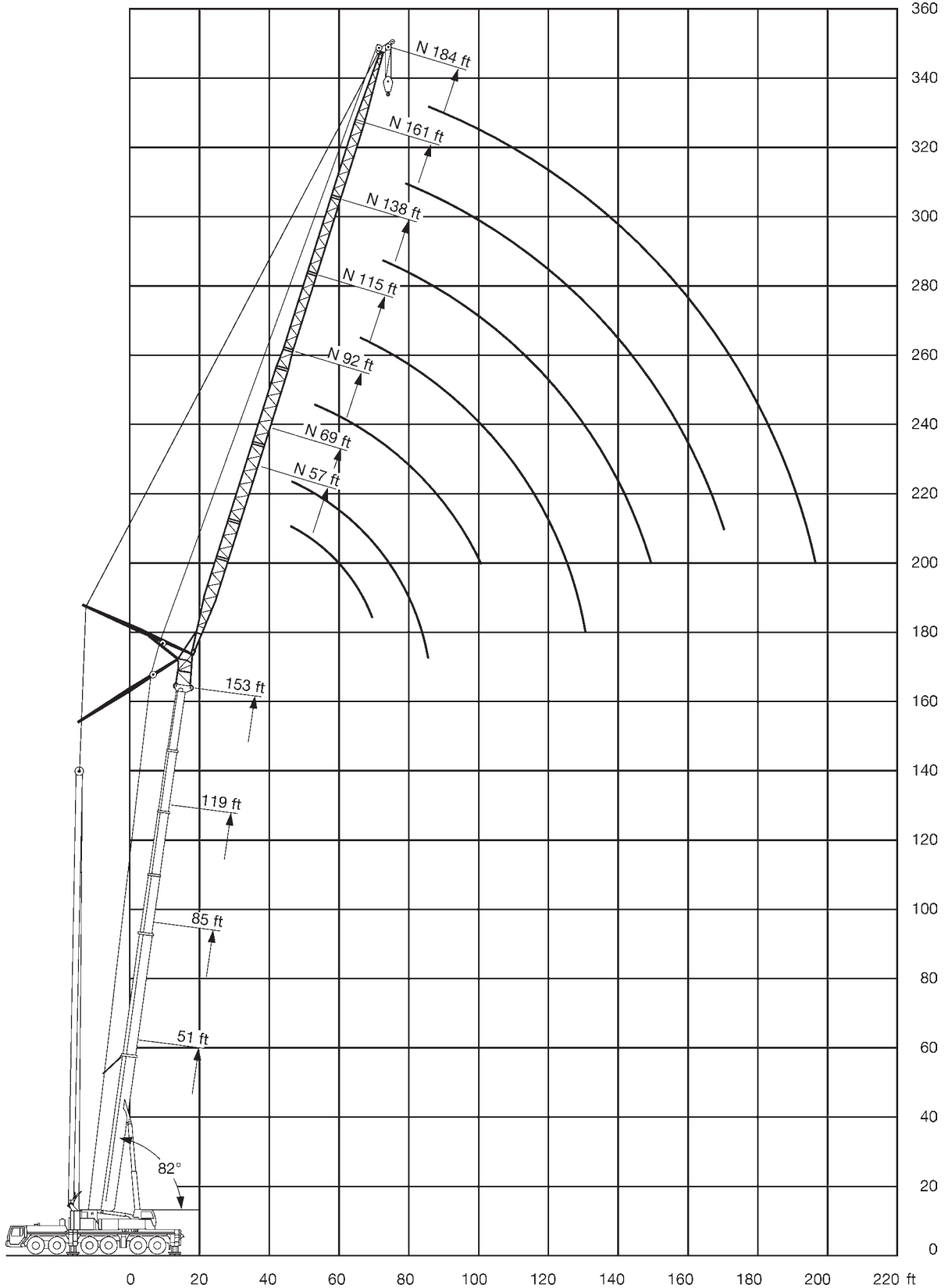
Carry Decks

Rough Terrain Cranes

Rigging Equipment

Aerial Lifts

Transportation



General Information

Hydraulic Truck Cranes

Crawler Cranes

Carry Decks

Rough Terrain Cranes

Rigging Equipment

Aerial Lifts

Transportation

All information given are for reference only.


 51-85 ft  
 82°


57-230 ft



159,800 lbs



29'x27'11"



360°

**85**

85%

ft	51*									85*									ft
	57	69	92	115	138	161	184	207	230	57	69	92	115	138	161	184	207	230	
22	112																		22
24	112																		24
26	112	112																	26
28	112	112																	28
30	112	112								95.5									30
32	112	112								95.5	85.5								32
34	112	111								95.5	85.5								34
36	111	109	86.5							95.5	85.5								36
38	111	108	85.5							95.5	85.5								38
40	110	107	84.5							95.5	85.5	67							40
45	106	104	82.5	65.5						95.5	85.5	66.5							45
50	95.5	102	80.5	64.5	50.8					95.5	85.5	66	51.1						50
55	80.5	96.5	79	63.5	50.6	39.8				93	85.5	65.5	50.9	40.3					55
60		86	78	62	50	39.7					85	65.5	50.6	40.3					60
65		72.5	77	61	49.3	39.3	31.1				84.5	65.5	50.3	40	31.8				65
70			73.5	60.5	48.5	38.9	30.8	24.6			77.5	65	50.1	39.8	31.6	24.9			70
75			67.5	59.6	47.8	38.5	30.4	24.4	18.2			65	50	39.5	31.3	24.8	20		75
80			59	59	47.2	38.1	30.1	24.1	18			64.5	50	39.3	31.1	24.6	19.9		80
85			50.5	58.3	46.6	37.6	29.8	23.9	17.3			62.5	49.9	39.1	30.9	24.4	19.7	15.5	85
90			41.3	55.2	46.2	37.2	29.5	23.6	16.6			56.6	49.9	39.1	30.7	24.3	19.6	15.1	90
95				50.7	45.3	36.8	29.3	23.4	16			46.3	49.8	39	30.5	24.1	19.4	14.6	95
100				45.5	44.1	36.5	29	23.1	15.4				49.5	39	30.5	23.9	19.2	14.1	100
105				40.3	42.7	36.1	28.8	22.8	14.8				48.7	39	30.4	23.8	19.1	13.6	105
110				34.5	41.2	35.8	28.6	22.5	14.2				45	38.7	30.3	23.7	18.9	13.2	110
115					39	35.5	28.3	22	13.7				40.3	38.2	30.3	23.6	18.8	12.8	115
120					36	35.2	27.8	21.6	13.2					37.5	30.2	23.4	18.7	12.3	120
125					32.4	34.7	27.3	21.2	12.6					36.5	30.2	23.2	18.6	11.9	125
130					28.6	33.7	26.7	20.7	12.1					34.7	30.1	22.8	18.5	11.5	130
135					23.6	31.5	26.2	20.2	11.6					31.8	30.1	22.5	18.4	11.1	135
140						28.9	25.7	19.7	11.1					27.2	30.1	22.1	18.1	10.7	140
145						26.2	25.3	19.3	10.6						29.9	21.7	17.8	10.2	145
150						23.5	25	18.8	10.2						28.5	21.4	17.5	9.8	150
155						20.6	24.3	18.4	9.7						26.1	21.2	17.2	9.4	155
160							23.1	18	9.3						23.4	21	16.9	9.1	160
165							21.3	17.6	8.9							20.8	16.6	8.7	165
170							19.3	17.2	8.5							20.6	16.3	8.3	170
175							17.3	16.9	8.1							20.5	16.1	8	175
180							14.5	16.6	7.7							19.8	15.8	7.7	180
185								16.2	7.4								15.6	7.3	185
190								15.9	7.1								15.4	7	190
195								14.6	6.8								15.1	6.7	195
200								12.8	6.5								14.9	6.5	200
205									6.2								14.3	6.2	205
210									5.9									6	210
215									5.7									5.7	215
220									5.4									5.5	220
225									5.3									5.3	225

\* + 10 ft adapter

All information given are for reference only.

General Information

Hydraulic Truck Cranes

Crawler Cranes

Carry Decks

Rough Terrain Cranes

Rigging Equipment

Aerial Lifts

Transportation

# 300 t All Terrain Crane

## LIEBHERR LTM 1250-6.1



General Information  
Hydraulic Truck Cranes  
Crawler Cranes  
Carry Decks  
Rough Terrain Cranes  
Rigging Equipment  
Aerial Lifts  
Transportation



119-153 ft  
82°



57-207 ft



159,800 lbs



29'x27'11"



360°

**85**

85%

ft	119*								153*						ft	
	57	69	92	115	138	161	184	207	57	69	92	115	138	161		184
36	65															36
38	65	57.6														38
40	65	57.5														40
45	65	57.3	44.7						40.3	35.6						45
50	65	57.2	44.6						40.2	35.5	27.8					50
55	65	57.1	44.4	35.6					40.1	35.4	27.7					55
60	65	57.1	44.3	35.6					40.1	35.3	27.6					60
65	65	57.1	44.2	35.4	28.5				40.1	35.2	27.5	21.5				65
70		57.1	44.1	35.3	28.4	22.6			40.1	35.2	27.4	21.4	17.2			70
75		57.1	44.1	35.1	28.2	22.5	18			35.2	27.3	21.3	17.1	13.2		75
80			44.1	35	28.1	22.4	18			35.2	27.3	21.2	17	13.2		80
85			44.1	35	28	22.3	17.9	14.1		35.2	27.3	21.2	16.9	13.1	9.5	85
90			44.1	35	27.9	22.3	17.8	14			27.3	21.1	16.9	13.1	9.5	90
95			44.1	35	27.9	22.2	17.7	14			27.3	21.1	16.8	13	9.5	95
100				35	27.9	22.1	17.6	13.9			27.3	21.1	16.8	12.9	9.5	100
105				35	27.9	22.1	17.5	13.8				21.1	16.8	12.9	9.5	105
110				35	27.9	22.1	17.5	13.8				21.1	16.8	12.8	9.5	110
115				35	27.9	22.1	17.4	13.7				21.1	16.8	12.8	9.5	115
120				35	27.9	22.1	17.4	13.7				21.1	16.8	12.8	9.5	120
125					27.9	22.1	17.4	13.6				21.1	16.8	12.8	9.5	125
130					27.9	22.1	17.4	13.6				21.1	16.8	12.8	9.5	130
135					27.9	22.1	17.4	13.6					16.8	12.8	9.5	135
140					27.9	22.1	17.4	13.6					16.8	12.8	9.5	140
145						22.1	17.4	13.6					16.8	12.8	9.5	145
150						22.1	17.4	13.6					16.8	12.8	9.5	150
155						22.1	17.4	13.6						12.8	9.5	155
160						22.1	17.4	13.6						12.8	9.5	160
165						22.1	17.4	13.6						12.8	9.5	165
170						22.1	17.4	13.6						12.8	9.5	170
175							17.4	13.6							9.5	175
180							17.4	13.6							9.5	180
185							17.4	13.6							9.5	185
190							17.4	13.6							9.5	190
195								13.6							9.5	195
200								13.5								200
205								13.4								205
210								13.3								210
215								13								215

\* + 10 ft adapter

All information given are for reference only.



187-221 ft  
82°



57-138 ft



159,800 lbs



29'x27'11"



360°

**85**  
85%

ft	187*					204*				221*			ft
	57	69	92	115	138	57	69	92	115	57	69	92	
50	24.1	21.3				18.1							50
55	24	21.2				18	15.6			13.1			55
60	23.9	21.1				17.9	15.6			13			60
65	23.9	21	16.2			17.8	15.5	11.6		13	11.1		65
70	23.9	20.9	16.1	12.3		17.8	15.4	11.5	7.5	12.9	11	6.8	70
75	23.9	20.9	16.1	12.2	8.5	17.8	15.4	11.5	7.5	12.9	11	6.8	75
80		20.9	16	12.2	8.5		15.4	11.4	7.5		10.9	6.8	80
85		20.9	16	12.1	8.5		15.4	11.3	7.5		10.9	6.8	85
90			16	12	8.5		15.4	11.3	7.5		10.9	6.8	90
95			16	12	8.5			11.3	7.5			6.8	95
100			15.9	12	8.5			11.2	7.5			6.8	100
105			15.9	12	8.5			11.2	7.5			6.8	105
110			15.9	12	8.5			11.2	7.5			6.8	110
115				12	8.5				7.5				115
120				12	8.5				7.5				120
125				12	8.5				7.5				125
130				12	8.5				7.5				130
135					8.5				7.5				135
140					8.5								140
145					8.5								145
150					8.5								150
155					8.5								155

\* + 10 ft adapter

All information given are for reference only.

General Information

Hydraulic Truck Cranes

Crawler Cranes

Carry Decks

Rough Terrain Cranes

Rigging Equipment

Aerial Lifts

Transportation

General Information

Hydraulic Truck Cranes

Crawler Cranes

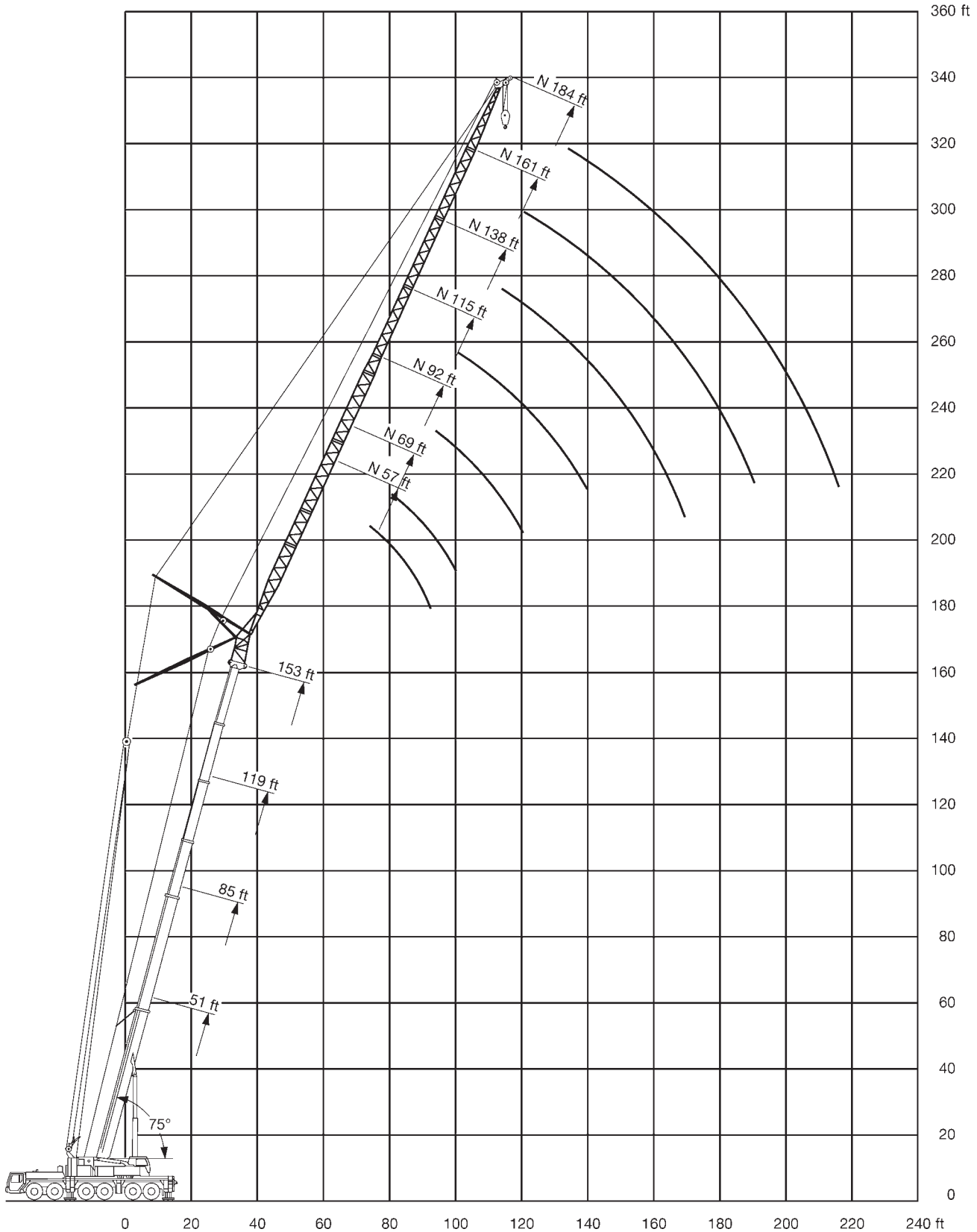
Carry Decks

Rough Terrain Cranes

Rigging Equipment

Aerial Lifts

Transportation



All information given are for reference only.





51-85 ft  
75°



57-230 ft



159,800 lbs



29'x27'11"



360°

**85**

85%

All information given are for reference only.

ft	51*									85*									ft
	57	69	92	115	138	161	184	207	230	57	69	92	115	138	161	184	207	230	
38	112																		38
40	112																		40
45	109	102																	45
50	106	98.5								92.5									50
55	99	95	78							92	83								55
60	89.5	91.5	76							90.5	82.5								60
65	79	88.5	74	60						86.5	81.5	63.5							65
70		81.5	73	59.1	48					83	79.5	63	49.3						70
75			72	57.9	47.5						76.5	62.5	49.2						75
80			70.5	56.8	46.6						73.5	62	49						80
85			66.5	56.1	45.7	37.4					71.5	62	48.7	38.6					85
90			58.7	55.6	44.9	36.8	29.3					61.5	48.4	38.4	30.3				90
95			49.7	55.1	44.3	36.2	29.1					60.5	48.1	38.2	30.1				95
100				53.9	43.8	35.7	28.8	22.8				58.6	48	38	30	23.5			100
105				50.9	43.4	35.1	28.5	22.8					48	37.9	29.8	23.5			105
110				45.9	42.8	34.8	28.1	22.6	14.9				47.9	37.8	29.7	23.4	18.7		110
115				40.5	41.7	34.5	27.7	22.3	14.5				47.9	37.8	29.6	23.2	18.7		115
120					40.4	34.3	27.4	21.9	13.9				47	37.8	29.5	23.1	18.6	12.9	120
125					38.9	34.2	27.1	21.5	13.3				44.3	37.7	29.4	22.9	18.5	12.8	125
130					36.7	34	27	21	12.8				38.8	37.2	29.4	22.8	18.4	12.4	130
135					33.4	33.9	26.8	20.6	12.3					36.5	29.4	22.7	18.3	12	135
140					29.5	33.5	26.4	20.2	11.8					35.6	29.4	22.5	18.2	11.5	140
145						32.4	26	19.8	11.3					34.6	29.4	22.3	18.1	11.1	145
150						30.1	25.6	19.3	10.8					32.1	29.4	22	17.9	10.7	150
155						27.4	25.2	18.9	10.4						29.4	21.7	17.7	10.4	155
160						24.6	24.8	18.5	9.9						29.4	21.5	17.5	10	160
165							24.4	18.1	9.5						29	21.2	17.2	9.6	165
170							23.9	17.7	9.1						26.7	20.9	16.9	9.2	170
175							22.3	17.3	8.7						23.6	20.7	16.6	8.8	175
180							20.4	16.9	8.3							20.5	16.4	8.5	180
185							18.2	16.6	7.9							20.5	16.1	8.1	185
190							15.6	16.3	7.5							20.4	15.8	7.7	190
195								16	7.1							20	15.6	7.4	195
200								15.8	6.8								15.3	7.1	200
205								15.2	6.4								15.2	6.8	205
210									6.2								15	6.4	210
215									5.9								14.8	6.2	215
220									5.7								14.1	5.9	220
225									5.5									5.7	225
230									5.3									5.5	230
235									5.2									5.3	235
240																		5.1	240

\* + 10 ft adapter

General Information

Hydraulic Truck Cranes

Crawler Cranes

Carry Decks

Rough Terrain Cranes

Rigging Equipment

Aerial Lifts

Transportation

# 300 t All Terrain Crane

## LIEBHERR LTM 1250-6.1



General Information  
Hydraulic Truck Cranes  
Crawler Cranes  
Carry Decks  
Rough Terrain Cranes  
Rigging Equipment  
Aerial Lifts  
Transportation



119-153 ft  
75°



57-207 ft



159,800 lbs



29'x27'11"



360°

**85**

85%

ft	119*								153*						ft	
	57	69	92	115	138	161	184	207	57	69	92	115	138	161		184
60	63															60
65	63	55.9														65
70	60.5	55.9							39.3							70
75	58.3	55.2	43.4						39.1	34.4						75
80		53.8	43.4						38.8	34.4						80
85		51.7	43.3	34.5					38.1	34.4						85
90		49.8	43.2	34.4					37.2	34.2	26.8					90
95			43.1	34.3	27.4					33.7	26.7	20.6				95
100			42.7	34.3	27.4	21.8				33	26.7	20.6				100
105			41.5	34.2	27.3	21.8					26.7	20.6				105
110			40.4	34.2	27.3	21.7					26.6	20.5	16.3			110
115			39.6	34.2	27.2	21.7	17.2				26.4	20.5	16.3	11.9		115
120				34.1	27.2	21.6	17.2	13.1			26.1	20.5	16.3	11.9		120
125				33.8	27.2	21.5	17.2	13.1				20.5	16.3	11.9		125
130				33	27.2	21.5	17.1	13.1				20.5	16.2	11.9	8	130
135				32.5	27.2	21.4	17.1	13.1				20.5	16.2	11.9	8	135
140					27.2	21.4	17.1	13.1				20.5	16.2	11.9	8	140
145					27.2	21.4	17	13.1					16.2	11.9	8	145
150					27.2	21.4	17	13.1					16.2	11.9	8	150
155					27	21.4	17	13.1					16.2	11.9	8	155
160					26.7	21.4	17	13.1					16.2	11.9	8	160
165						21.4	17	13.1					16.2	11.9	8	165
170						21.4	17	13.1					16.2	11.9	8	170
175						21.4	17	13.1						11.9	8	175
180						21.4	17	13.1						11.9	8	180
185							17	13.1						11.9	8	185
190							17	13.1						11.9	8	190
195							17	13.1							8	195
200							17	13.1							8	200
205							17	13.1							8	205
210								13.1							8	210
215								13.1							8	215
220								13.1								220
225								13.1								225

\* + 10 ft adapter

All information given are for reference only.



187-221 ft  
75°



57-138 ft



159,800 lbs



29'x27'11"



360°

**85**  
85%

ft	187*					204*				221*			ft
	57	69	92	115	138	57	69	92	115	57	69	92	
90	22.8	20.4											90
95	22.5	20.3				17.1	14.8						95
100		20.1	15.5			16.9	14.8			11.6			100
105		19.8	15.5				14.8			11.6			105
110		19.4	15.5	10.9			14.6	9.9		11.6	9.5		110
115			15.4	10.9			14.4	9.9			9.5	5.3	115
120			15.4	10.9	7			9.9	6.1			5.3	120
125			15.2	10.9	7			9.9	6.1			5.3	125
130			15	10.9	7			9.9	6.1			5.3	130
135				10.9	7			9.9	6.1			5.3	135
140				10.9	7				6.1			5.3	140
145				10.9	7				6.1				145
150				10.9	7				6.1				150
155				10.9	7				6.1				155
160					7								160
175					7								175

\* + 10 ft adapter

All information given are for reference only.

General Information

Hydraulic Truck Cranes

Crawler Cranes

Carry Decks

Rough Terrain Cranes

Rigging Equipment

Aerial Lifts

Transportation

# 300 t All Terrain Crane

## LIEBHERR LTM 1250-6.1



General Information

Hydraulic Truck Cranes

Crawler Cranes

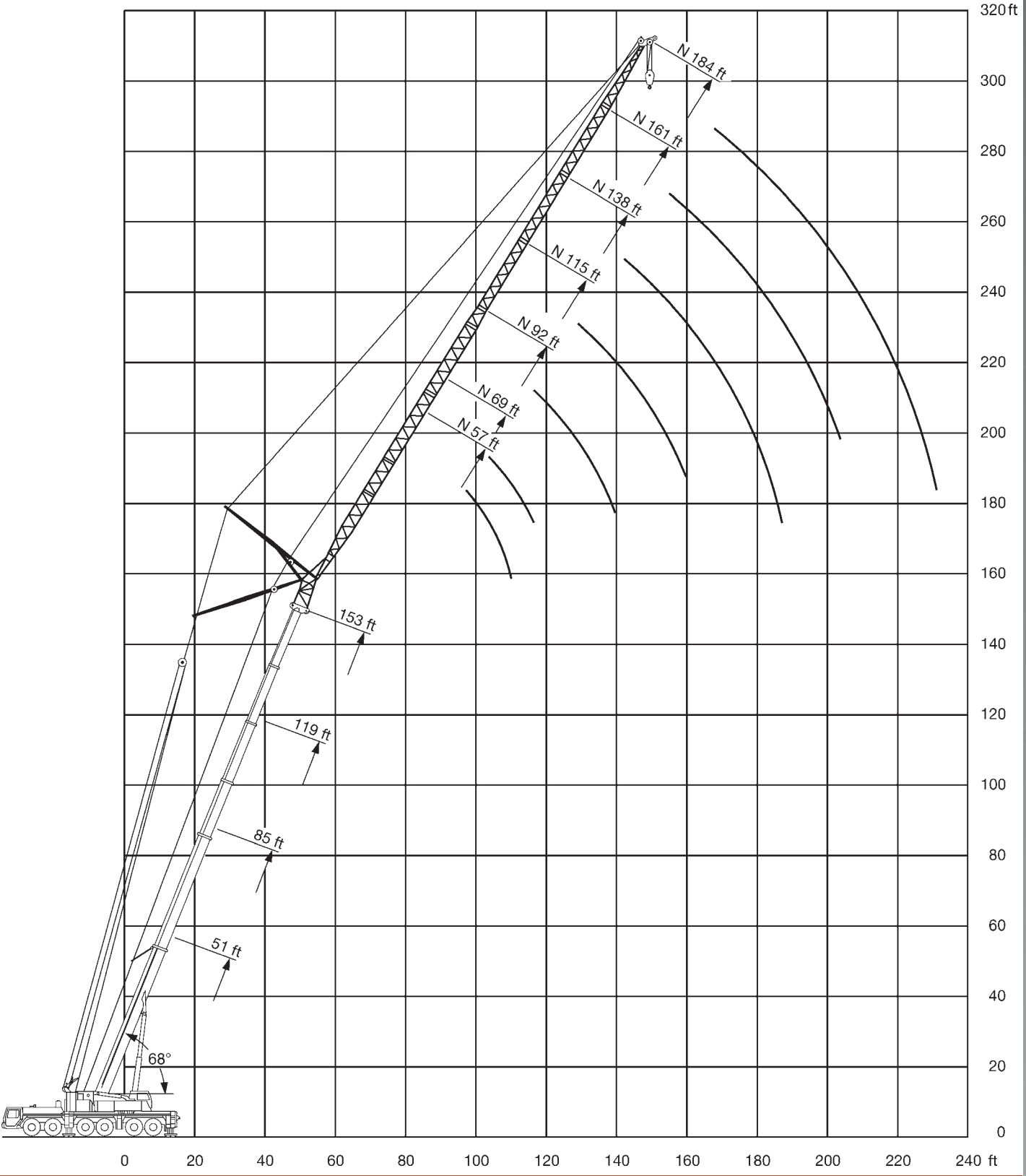
Carry Decks

Rough Terrain Cranes

Rigging Equipment

Aerial Lifts

Transportation



All information given are for reference only.



51-85 ft  
68°



57-230 ft



187,400 lbs



29'x27'11"



360°

**85**

85%

All information given are for reference only.

ft	51*									85*									ft
	57	69	92	115	138	161	184	207	230	57	69	92	115	138	161	184	207	230	
55	93.5																		55
60	92.5	89																	60
65	89	84								81									65
70	82.5	81								77									70
75		78.5	69.5							73	72								75
80		74	67.5							69.5	68								80
85		62	66	54.9						66.5	64.5	60							85
90			65	53.9							62	58.6							90
95			62.5	52.9	43.2							56.6	46.8						95
100			57.6	52.2	43							54.5	46.6						100
105				51.8	42.2	35						52.6	46.1						105
110				51.5	41.5	34.4						50.8	45.7	37					110
115				49.5	41	33.8	27.4					49.4	45.2	36.8					115
120				45.9	40.7	33.3	27.3						44.4	36.5	28.9				120
125					40.4	32.8	26.9						43.3	36.2	28.9				125
130					39.3	32.6	26.5	21.4					42	36.1	28.8				130
135					38	32.5	26.2	21.1					41	36	28.7	22.4			135
140					36.3	32.5	25.9	20.7	12					36	28.6	22.4	17.8		140
145					33.8	32.5	25.7	20.4	11.9					35.9	28.5	22.4	17.8		145
150					30.3	32.5	25.7	20	11.4					35.2	28.5	22.4	17.8		150
155						31.9	25.5	19.5	11					34.6	28.5	22.2	17.8	11	155
160						30.4	25.2	19.1	10.5					33.5	28.5	22	17.8	10.8	160
165						28.1	24.9	18.7	10.1						28.5	21.8	17.7	10.4	165
170						25.4	24.6	18.3	9.7						28.5	21.5	17.5	10	170
175							24.3	17.9	9.3						28.5	21.2	17.3	9.6	175
180							23.8	17.5	8.8						28	21	17	9.3	180
185							22.9	17.1	8.5							20.8	16.7	8.9	185
190							21.2	16.8	8.1							20.5	16.4	8.6	190
195							18.8	16.4	7.7							20.4	16.1	8.2	195
200								16.1	7.3							20.3	15.9	7.9	200
205								15.8	7							20.3	15.6	7.5	205
210								15.6	6.6								15.3	7.2	210
215								15.4	6.3								15.1	6.9	215
220									6								14.9	6.6	220
225									5.7								14.8	6.2	225
230									5.5									6	230
235									5.4									5.7	235
240									5.2									5.5	240
245																		5.3	245
250																		5.2	250
255																		5.1	255

\* + 10 ft adapter

General Information

Hydraulic Truck Cranes

Crawler Cranes

Carry Decks

Rough Terrain Cranes

Rigging Equipment

Aerial Lifts

Transportation

# 300 t All Terrain Crane

LIEBHERR LTM 1250-6.1



General Information



119-153 ft  
68°



57-207 ft



187,400 lbs



29'x27'11"



360°

**85**

85%

Hydraulic Truck Cranes

Crawler Cranes

Carry Decks

Rough Terrain Cranes

Rigging Equipment

Aerial Lifts

Transportation

ft	119*								153*								ft
	57	69	92	115	138	161	184	207	57	69	92	115	138	161	184		
85	48.4															85	
90	46.2	44.6														90	
95	44.2	43.3							31.9							95	
100		41.4	37.7						31.4	29.1						100	
105			37.7						30.1	29.1						105	
110			36.3						28.9	28						110	
115			35	32						26.9	23.7					115	
120			33.8	31.6	26.7						23.5					120	
125			32.6	30.5	26.7						22.8					125	
130			31.6	29.6	26.6						22.2	19.2				130	
135				28.6	26.2	21					21.5	18.9				135	
140				27.8	25.6	21					20.8	18.4	15.3			140	
145				26.9	24.9	21						18	15.3			145	
150				26.1	24.2	21	16.7					17.6	15.2			150	
155					23.6	21	16.7					17.2	15	10.9		155	
160					23	20.9	16.7	12.6				16.8	14.8	10.9		160	
165					22.4	20.7	16.7	12.6					14.5	10.9		165	
170					21.7	20.1	16.7	12.6					14.3	10.9	7.5	170	
175					21.3	19.6	16.7	12.6					13.9	10.9	7.5	175	
180						19.2	16.7	12.6					13.6	10.9	7.5	180	
185						18.7	16.7	12.6					13.2	10.9	7.5	185	
190						18.2	16.5	12.6					12.9	10.9	7.5	190	
195						17.9	16.1	12.6						10.9	7.5	195	
200							15.8	12.6						10.7	7.5	200	
205							15.4	12.6						10.4	7.5	205	
210							15.1	12.6							7.5	210	
215							14.8	12.6							7.5	215	
220							14.6	12.6							7.5	220	
225								12.5							7.5	225	
230								12.2							7.5	230	
235								12							7.5	235	
240								11.8								240	

\* + 10 ft adapter

All information given are for reference only.

  
 187-221 ft  
 68°

  
 57-138 ft

  
 187,400 lbs

  
 29'x27'11"

  
 360°

**85**  
 85%

ft	57	69	187* 92	115	138	204* 92	115	221* 92	ft
115	17								115
120	16.7	15.1							120
125		15.1							125
130		14.6							130
135			11.9						135
140			11.7						140
145			11.3						145
150			11	9		7.5			150
155			10.6	8.7		7.2		4.4	155
160				8.5	6.3	7	5.1	4.4	160
165				8.2	6.3		5.1	4.4	165
170				7.9	6.3		5.1	4.4	170
175				7.7	6.1		4.9		175
180					6		4.8		180
185					5.8				185
190					5.7				190
195					5.5				195
200					5.4				200

\* + 10 ft adapter

All information given are for reference only.

General Information

Hydraulic Truck Cranes

Crawler Cranes

Carry Decks

Rough Terrain Cranes

Rigging Equipment

Aerial Lifts

Transportation

# 300 t All Terrain Crane

LIEBHERR LTM 1250-6.1



General Information

Hydraulic Truck Cranes

Crawler Cranes

Carry Decks

Rough Terrain Cranes

Rigging Equipment

Aerial Lifts

Transportation

All information given are for reference only.