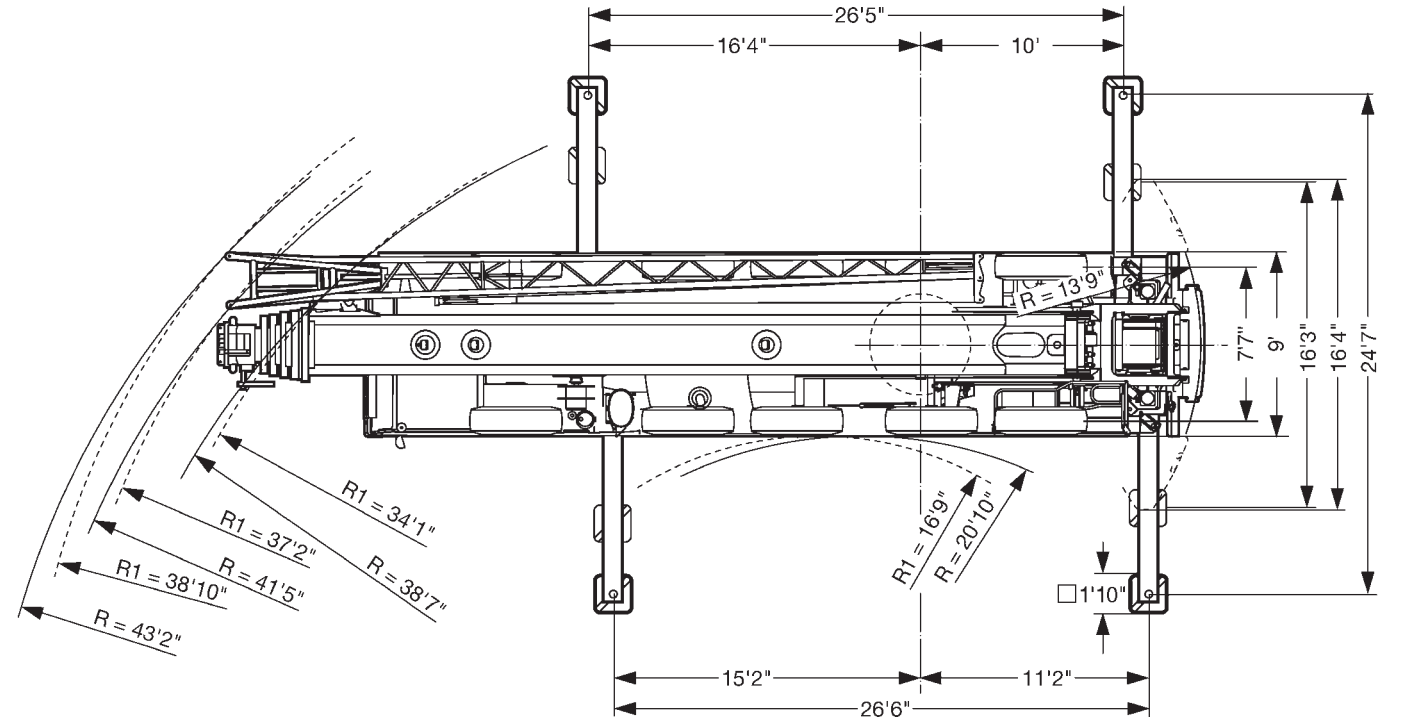
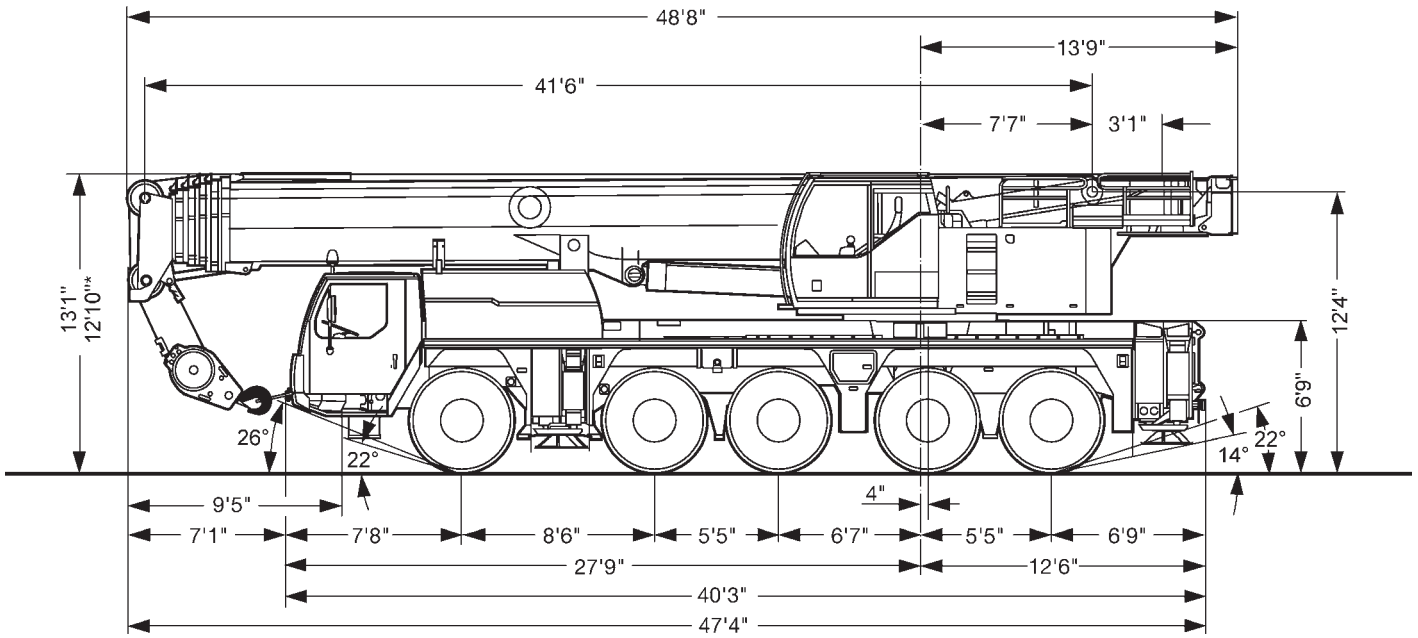


175 t All Terrain Crane



All information given are for reference only.

General Information
 Hydraulic Truck Cranes
 Crawler Cranes
 Carry Decks
 Rough Terrain Cranes
 Rigging Equipment
 Aerial Lifts
 Transportation

175 t All Terrain Crane

LIEBHERR LTM 1130-5.1



General Information

Hydraulic Truck Cranes

Crawler Cranes

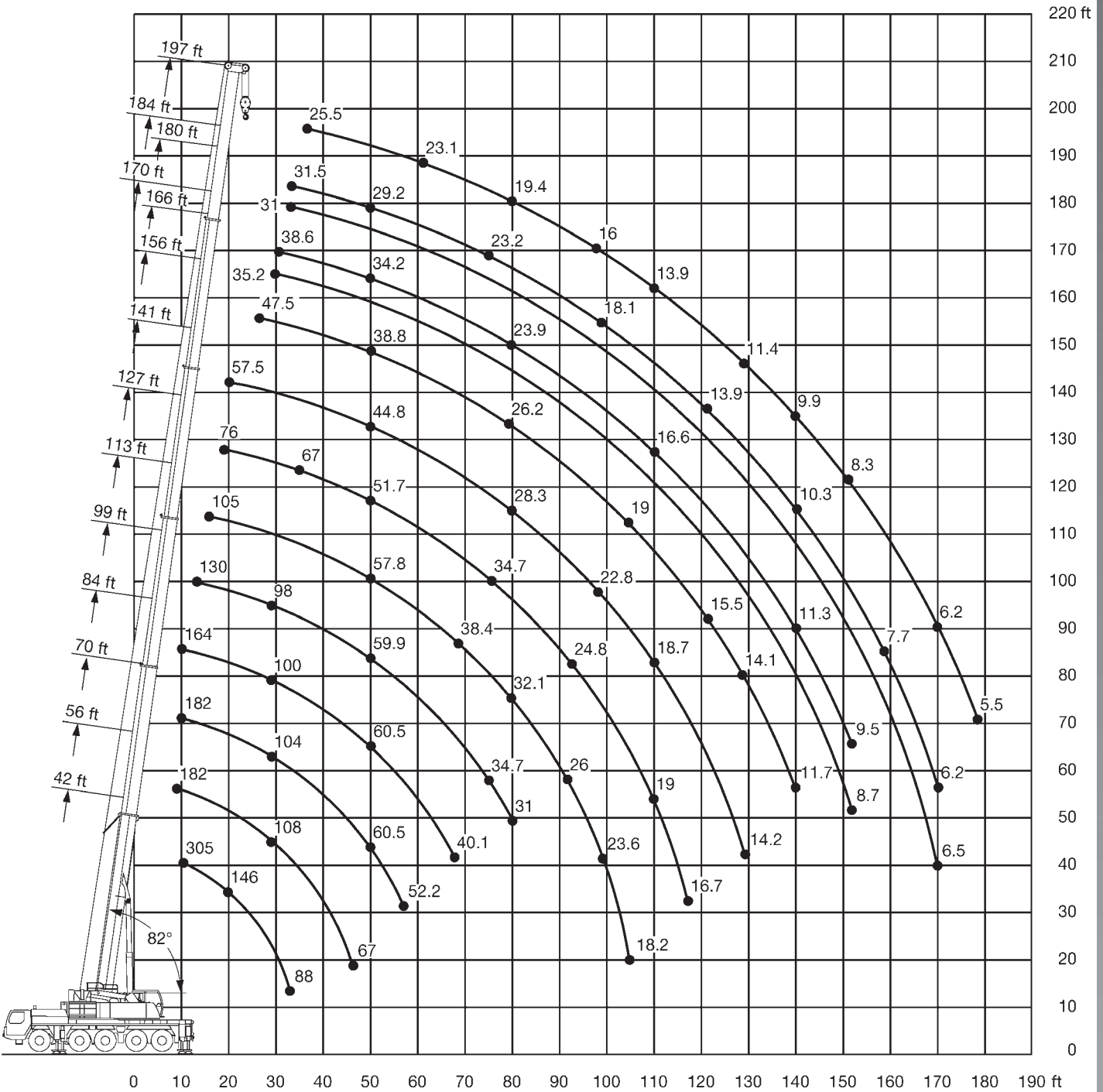
Carry Decks

Rough Terrain Cranes

Rigging Equipment

Aerial Lifts

Transportation



All information given are for reference only.



42-197 ft



92,600 lbs



26'6"x24'7"



360°

85
85%

All information given are for reference only.

ft	42*	42	56	70	84	99	113	127	141	156	166	170	180	184	197	ft
9		242	182													9
10	305	238	182	182	164											10
12	199	199	182	180	164	130										12
14	182	182	175	168	160	130										14
16	168	168	161	156	151	130	105									16
18	157	157	151	145	140	128	104	76								18
20	146	146	140	135	130	125	102	76	57.5							20
23	132	132	127	122	118	117	98.5	76	57.5							23
26	119	119	117	112	108	107	95.5	75	57.5	47.5						26
29	105	105	108	104	100	98	92	73	57.5	46.9	35.2	38.6				29
32	88	88	99	96	93.5	91	87.5	70	56.9	46.1	35.2	38.6	31	31.5		32
35			90.5	89.5	87.5	84.5	82	67	55.6	45.4	34.6	38.5	31	31.5	25.5	35
38			82.5	82.5	82	79	76.5	63.5	53.6	44.5	33.6	38	30.8	31.4	25.5	38
44			67	70.5	70.5	69.5	67	57.4	48.9	42	31.3	36.2	29.6	30.4	25.4	44
50				60.5	60.5	59.9	57.8	51.7	44.8	38.8	29.1	34.2	28.1	29.2	24.9	50
56				52.2	52.3	51.6	49.9	46.5	40.9	35.9	27	31.9	26.4	27.7	24.1	56
62					45.6	44.8	43.5	42.6	37.4	33.1	25	29.7	24.8	26.1	23.1	62
68					40.1	39.3	38.4	38.9	34.4	30.5	23.2	27.7	23.2	24.6	21.8	68
74						34.7	34.8	34.7	31.3	28.2	21.4	25.7	21.7	23.2	20.5	74
80							31	32.1	30.9	28.3	26.2	19.9	23.9	20.3	19.4	80
86								28.8	27.6	26.4	24.1	18.5	22.3	19.1	18.3	86
92								26	24.8	24.2	22	17.1	20.7	17.9	17	92
98								23.6	22.3	22.8	20.3	16	19.4	16.8	16	98
104								18.2	20.2	20.7	19	15	18.2	15.8	15	104
110									19	18.7	17.9	13.9	16.6	14.9	13.9	110
116									16.7	17	16.8	13	15.4	14	13.1	116
122										15.5	15.5	12.2	14.6	13.2	12.2	122
128										14.2	14.1	11.4	13.6	12.5	11.4	128
134											12.8	10.7	12.4	11.8	10.7	134
140											11.7	10.1	11.3	11.1	9.9	140
146												9.5	10.3	10.3	9.1	146
152												8.7	9.5	9.5	8.3	152
158														8.8	7.7	158
164														8.1	6.9	164
170														6.5	6.2	170
176															5.5	176

*over rear

General Information

Hydraulic Truck Cranes

Crawler Cranes

Carry Decks

Rough Terrain Cranes

Rigging Equipment

Aerial Lifts

Transportation

175 t All Terrain Crane

LIEBHERR LTM 1130-5.1



42-197 ft



49,800 lbs



26'6"x24'7"



360°

85

85%

General Information

Hydraulic Truck Cranes

Crawler Cranes

Carry Decks

Rough Terrain Cranes

Rigging Equipment

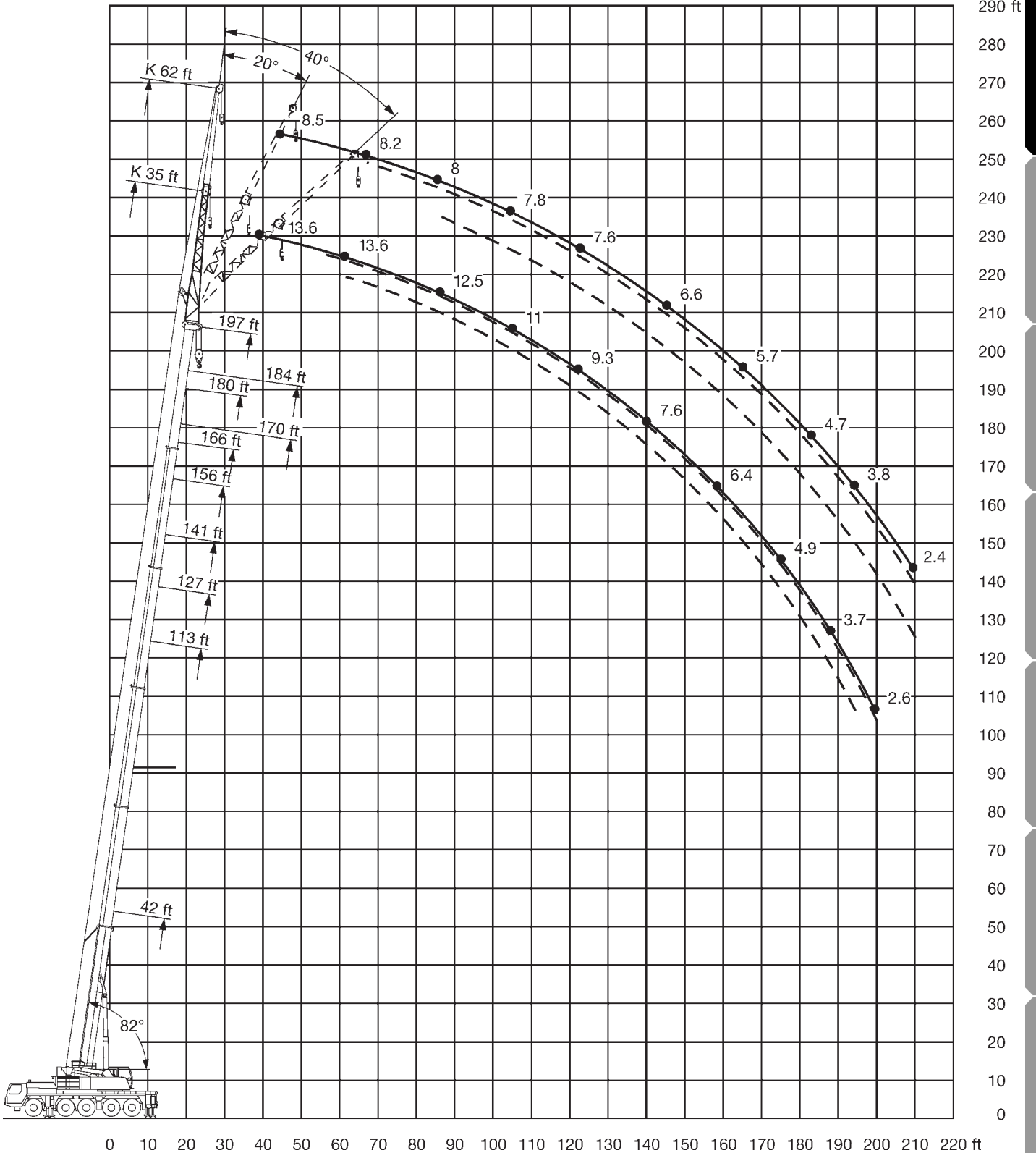
Aerial Lifts

Transportation

ft	42	56	70	84	99	113	127	141	156	166	170	180	184	197	ft
9	244	182													9
10	240	182	182	164											10
12	199	182	180	164	130										12
14	182	175	168	160	130										14
16	168	161	156	151	130	105									16
18	157	151	145	140	128	104	76								18
20	146	140	135	130	125	102	76	57.5							20
23	126	127	122	118	115	98.5	76	57.5							23
26	110	112	108	105	98.5	91.5	75	57.5	47.5						26
29	96	98	95.5	91	85.5	80	73	57.5	46.9	35.2	38.6				29
32	84.5	85.5	84	80	75.5	71	67.5	56.9	46.1	35.2	38.6	31	31.5		32
35		76.5	74.5	71	67.5	63.5	62	55.3	45.4	34.6	38.5	31	31.5	25.5	35
38		68.5	66.5	64	60	57.8	56.2	51.3	44.5	33.6	38	30.8	31.4	25.5	38
44		54.9	54.7	52.4	49.7	49.1	46.4	43.2	39.9	31.3	36.2	29.6	30.4	25.4	44
50			45.4	43.7	43.1	41.7	39.4	37.7	35.2	29.1	33.1	28.1	29.2	24.9	50
56			38	37.1	37.6	35.6	34.6	32.9	31.5	27	29.6	26.4	27.6	24.1	56
62				32.6	32.6	30.7	30.5	28.9	27.9	25	26.4	24.8	24.9	23	62
68				29.1	28.6	27.2	26.7	25.9	24.4	23.2	23.3	22.8	21.6	21.1	68
74					25.2	24.8	23.5	22.8	21.6	21.1	20.4	20.2	18.8	18.4	74
80					22	22.3	20.9	20.2	19.1	18.9	17.9	17.7	16.4	16.1	80
86						19.7	18.9	18	16.9	16.7	15.8	15.7	14.3	14	86
92						17.5	16.7	16.1	15	14.8	14	13.9	12.5	12.3	92
98						15.6	14.9	14.3	13.4	13.2	12.4	12.3	11	10.7	98
104						14	13.2	12.7	11.9	11.8	11	10.9	9.6	9.4	104
110							11.8	11.3	10.4	10.4	9.6	9.6	8.4	8.2	110
116							10.7	10	9.2	9.2	8.5	8.5	7.3	7.1	116
122								9	8.2	8.2	7.5	7.5	6.3	6.1	122
128								8.1	7.3	7.3	6.6	6.6	5.4	5.2	128
134									6.5	6.5	5.8	5.8	4.6	4.4	134
140									5.6	5.7	4.9	5.1	3.9	3.7	140
146										4.9	4.2	4.3	3.1	3.1	146
152										4.2	3.5	3.6			152
158												3			158
164												2.4			164

All information given are for reference only.

All information given are for reference only.



General Information

Hydraulic Truck Cranes

Crawler Cranes

Carry Decks

Rough Terrain Cranes

Rigging Equipment

Aerial Lifts

Transportation

175 t All Terrain Crane

LIEBHERR LTM 1130-5.1



General Information



166-197 ft



35 ft



92,600 lbs



26'6"x24'7"



360°

85

85%

Hydraulic Truck Cranes

Crawler Cranes

Carry Decks

Rough Terrain Cranes

Rigging Equipment

Aerial Lifts

Transportation

ft	166			170			180			184			197			ft
	0°	20°	40°	0°	20°	40°	0°	20°	40°	0°	20°	40°	0°	20°	40°	
32	18			19.4												32
35	18			19.4			15.8			16.3						35
38	18			19.4			15.8			16.3			13.6			38
44	18	18		19.4	19.4		15.8			16.3			13.6			44
50	18	17.7		19.4	19.4		15.8	15.8		16.3	16.3		13.6			50
56	17.6	17.1	16.1	19.4	19.4	18.5	15.8	15.8		16.3	16.3		13.6	13.6		56
62	16.9	16.4	15.7	19.3	19.4	18.4	15.6	15.5	14.9	16.1	16.1	15.6	13.6	13.5	13.1	62
68	16.1	15.6	15.1	19	19	18.1	15.3	15	14.7	15.8	15.6	15.4	13.5	13.4	13.1	68
74	15.3	14.9	14.5	18.4	18.1	17.7	14.7	14.4	14.1	15.4	15.1	14.9	13.2	13.1	13	74
80	14.5	14.1	13.9	17.5	17.1	17	14.1	13.7	13.6	14.9	14.5	14.4	12.8	12.8	12.8	80
86	13.7	13.4	13.3	16.6	16.3	16.2	13.5	13.1	13	14.2	14	13.9	12.5	12.3	12.3	86
92	12.9	12.8	12.7	15.7	15.5	15.4	12.8	12.5	12.4	13.5	13.4	13.3	11.9	11.9	11.9	92
98	12.2	12	12	14.8	14.6	14.6	12.2	12	11.9	12.9	12.7	12.7	11.5	11.4	11.4	98
104	11.4	11.4	11.5	14	13.9	13.9	11.5	11.4	11.4	12.2	12.1	12.2	11	10.9	11	104
110	10.6	10.7	10.8	13.2	13.1	13.2	10.9	10.8	10.9	11.6	11.5	11.6	10.4	10.4	10.5	110
116	9.9	10	10.2	12.4	12.4	12.5	10.2	10.2	10.3	11	10.9	11	9.9	10	10.1	116
122	9.3	9.4	9.6	11.7	11.7	11.9	9.6	9.7	9.8	10.4	10.4	10.5	9.3	9.5	9.6	122
128	8.7	8.9	9	11	11	11.2	9.1	9.1	9.3	9.9	9.9	10	8.7	8.9	9.2	128
134	8.1	8.3	8.5	10.3	10.4	10.6	8.6	8.7	8.8	9.4	9.4	9.5	8.1	8.4	8.6	134
140	7.6	7.8	7.9	9.5	9.8	9.9	8.1	8.2	8.3	8.9	8.9	9	7.6	7.9	8.1	140
146	7.2	7.3	7.5	8.6	9	9.2	7.6	7.8	7.9	8.4	8.5	8.6	7.2	7.4	7.6	146
152	6.8	6.9	7	8	8.2	8.5	7.2	7.4	7.5	7.8	8	8.2	6.8	7	7.2	152
158	6.4	6.5	6.6	7.6	7.6	7.7	6.9	7	7.1	7.2	7.6	7.7	6.4	6.6	6.8	158
164	6	6.1	6.2	7.2	7.3	7.3	6.6	6.7	6.8	6.5	6.9	7.2	6	6.2	6.4	164
170	5.7	5.8	5.9	6.8	6.9	7	6.3	6.4	6.4	5.8	6.2	6.4	5.6	5.8	6	170
176	5.4	5.5	5.4	6.1	6.4	6.4	5.9	6	6.1	5.1	5.5	5.6	4.9	5.3	5.6	176
182	5.1	5.2		5.4	5.7		5.4	5.6	5.7	4.4	4.7	4.9	4.3	4.7	4.9	182
188	4.9			4.8	5		4.8	5.1	5.1	3.8	4.1	4.2	3.7	4	4.2	188
194							4.3	4.4		3.2	3.5		3.1	3.4	3.5	194
200													2.6	2.8		200

All information given are for reference only.



166-197 ft



62 ft



92,600 lbs



26'6"x24'7"



360°

85
85%

All information given are for reference only.

ft	166			170			180			184			197			ft
	0°	20°	40°	0°	20°	40°	0°	20°	40°	0°	20°	40°	0°	20°	40°	
35	9.9			10.7												35
38	9.9			10.7			9.2			9.5						38
44	9.9			10.5			9.2			9.4			8.5			44
50	9.8			10.4			9.2			9.3			8.4			50
56	9.6	8.5		10.2	9.2		9.1			9.2			8.3			56
62	9.5	8.5		10	9.1		9	8.4		9.1	8.5		8.3			62
68	9.3	8.5		9.8	8.9		8.9	8.4		9	8.4		8.2	7.8		68
74	9.1	8.5	7.8	9.6	8.8	7.8	8.8	8.3		8.8	8.3		8.2	7.8		74
80	9	8.4	7.8	9.4	8.6	7.8	8.7	8.2	7.5	8.7	8.2	7.7	8.1	7.8		80
86	8.9	8.3	7.7	9.2	8.5	7.8	8.5	8.1	7.5	8.6	8.1	7.6	8	7.7	7.5	86
92	8.7	8.2	7.7	9.1	8.3	7.7	8.4	8	7.5	8.5	8	7.6	7.9	7.7	7.5	92
98	8.6	8	7.6	8.9	8.2	7.7	8.3	7.9	7.5	8.4	7.9	7.5	7.8	7.6	7.4	98
104	8.5	8	7.6	8.8	8.1	7.7	8.2	7.8	7.5	8.3	7.8	7.5	7.8	7.5	7.4	104
110	8.3	7.9	7.6	8.6	8	7.6	8.1	7.8	7.5	8.1	7.8	7.5	7.7	7.5	7.4	110
116	8.1	7.8	7.6	8.5	7.9	7.6	8	7.7	7.5	8.1	7.7	7.5	7.6	7.4	7.4	116
122	7.8	7.7	7.6	8.4	7.8	7.6	7.8	7.6	7.5	7.9	7.7	7.5	7.6	7.4	7.4	122
128	7.6	7.5	7.6	8.3	7.8	7.6	7.6	7.6	7.5	7.8	7.6	7.5	7.4	7.3	7.4	128
134	7.3	7.4	7.5	8.1	7.7	7.6	7.4	7.5	7.4	7.6	7.5	7.5	7.2	7.2	7.3	134
140	7	7.2	7.3	7.9	7.7	7.5	7.1	7.2	7.4	7.5	7.4	7.5	6.9	7.1	7.2	140
146	6.7	6.9	7.1	7.7	7.6	7.5	6.9	7	7.2	7.3	7.2	7.4	6.6	7	7.1	146
152	6.3	6.6	6.9	7.5	7.4	7.5	6.5	6.7	6.9	7	7	7.2	6.3	6.6	6.9	152
158	6	6.3	6.5	7.2	7.3	7.5	6.3	6.5	6.7	6.7	6.9	7	6	6.3	6.6	158
164	5.6	5.9	6.1	6.8	7.1	7.3	6	6.2	6.4	6.5	6.6	6.8	5.7	6	6.3	164
170	5.3	5.6	5.8	6.2	6.9	7.1	5.7	5.9	6.1	6.2	6.4	6.6	5.4	5.7	6	170
176	5.1	5.3	5.4	5.9	6.3	6.6	5.4	5.6	5.8	5.7	6.1	6.3	5.1	5.4	5.7	176
182	4.8	5	5.1	5.6	5.8	6	5.1	5.3	5.5	5.1	5.8	6	4.7	5.1	5.4	182
188	4.5	4.7	4.8	5.4	5.5	5.6	4.9	5.1	5.2	4.5	5.3	5.6	4.3	4.8	5	188
194	4.3	4.4	4.5	4.9	5.2	5.4	4.7	4.8	5	4	4.6	5	3.8	4.4	4.7	194
200	4	4.2		4.4	4.9		4.3	4.6	4.7	3.4	4	4.3	3.2	3.9	4.2	200
210				3.6			3.5	3.9	4	2.6	3.1	3.2	2.4	3	3.2	210

General Information

Hydraulic Truck Cranes

Crawler Cranes

Carry Decks

Rough Terrain Cranes

Rigging Equipment

Aerial Lifts

Transportation

175 t All Terrain Crane

LIEBHERR LTM 1130-5.1



General Information

Hydraulic Truck Cranes

Crawler Cranes

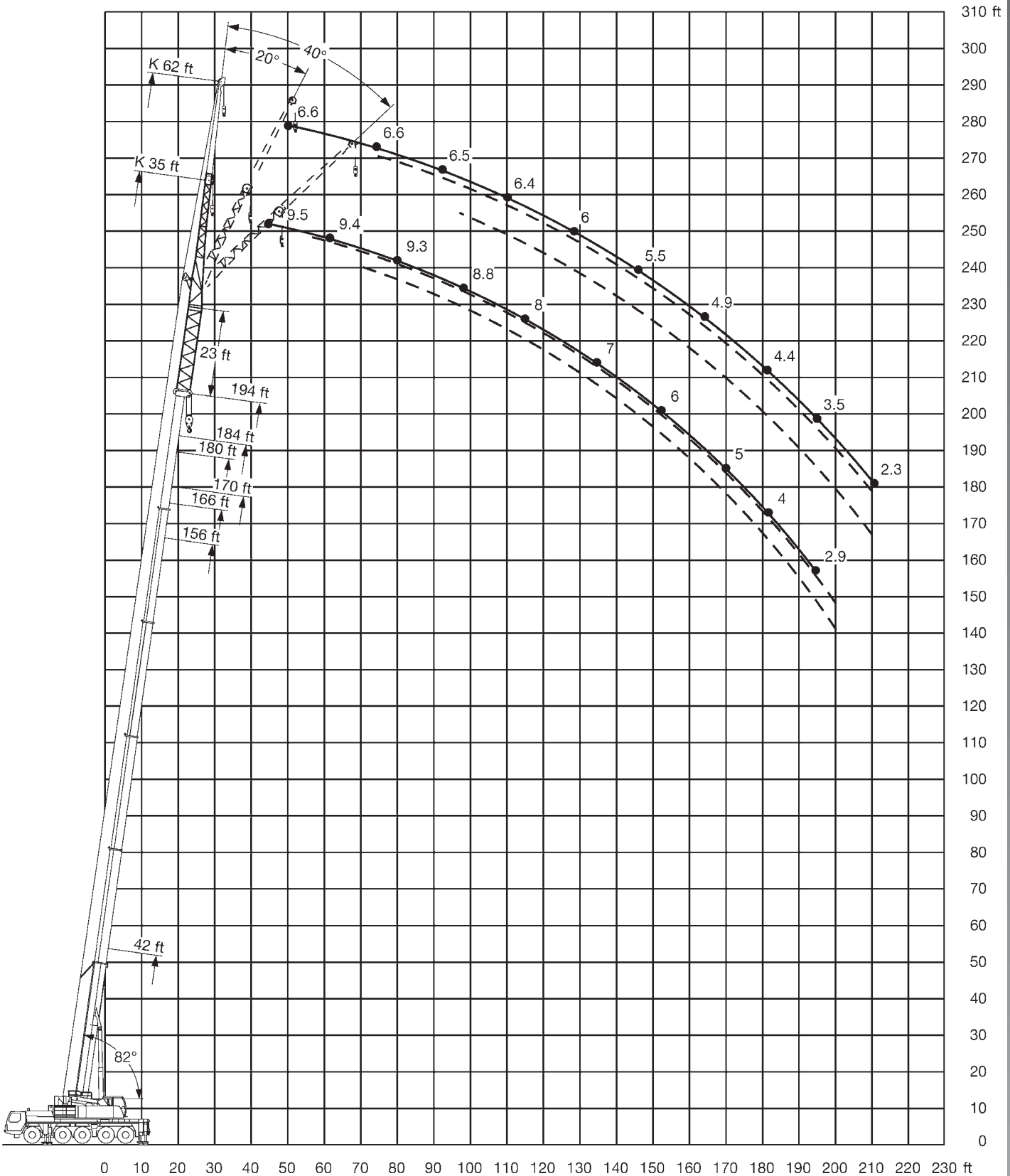
Carry Decks

Rough Terrain Cranes

Rigging Equipment

Aerial Lifts

Transportation



All information given are for reference only.



166-197 ft



23 ft



35 ft



92,600 lbs



26'6"x24'7"



360°

85
85%

All information given are for reference only.

ft	166			170			180			184			197			ft
	0°	20°	40°	0°	20°	40°	0°	20°	40°	0°	20°	40°	0°	20°	40°	
35	12.1			12.6												35
38	12.1			12.6			10.7			11.2						38
44	12.1			12.6			10.7			11.2			9.5			44
50	12.1	12.1		12.6	12.6		10.7			11.1			9.4			50
56	12.1	12		12.6	12.6		10.7	10.7		11.1	11.2		9.4	9.5		56
62	12.1	11.7	10.7	12.5	12.3	11.2	10.7	10.7	10.2	11.1	11.2	10.7	9.4	9.5		62
68	11.9	11.2	10.6	12.3	11.8	11.1	10.7	10.6	10.1	11	11	10.6	9.4	9.5	9.2	68
74	11.5	10.8	10.2	12	11.4	10.8	10.6	10.3	9.9	10.9	10.7	10.3	9.4	9.4	9.2	74
80	11.1	10.3	9.9	11.7	11	10.4	10.4	10	9.6	10.7	10.4	10	9.3	9.3	9.2	80
86	10.6	9.9	9.5	11.3	10.5	10	10.1	9.7	9.3	10.6	10.1	9.7	9.1	9.2	9	86
92	10.1	9.5	9.2	10.9	10.1	9.7	9.7	9.3	9.1	10.3	9.7	9.4	9	8.9	8.7	92
98	9.6	9.2	8.9	10.4	9.8	9.3	9.4	9	8.8	9.9	9.4	9.1	8.8	8.7	8.5	98
104	9.1	8.9	8.7	10	9.4	9.1	9	8.7	8.6	9.5	9.2	8.9	8.6	8.5	8.3	104
110	8.7	8.6	8.4	9.5	9.1	8.8	8.6	8.5	8.3	9.1	8.9	8.7	8.3	8.2	8.1	110
116	8.3	8.2	8.2	9	8.7	8.6	8.2	8.2	8.1	8.7	8.6	8.5	8	7.9	7.9	116
122	7.9	7.9	7.9	8.5	8.4	8.3	7.9	7.9	7.9	8.4	8.4	8.3	7.7	7.7	7.7	122
128	7.4	7.5	7.6	8.1	8.1	8	7.5	7.6	7.6	8	8.1	8	7.4	7.4	7.4	128
134	7	7.2	7.3	7.7	7.7	7.8	7.2	7.3	7.4	7.7	7.7	7.8	7	7.1	7.2	134
140	6.7	6.8	7	7.3	7.4	7.5	6.9	7	7.1	7.3	7.4	7.5	6.7	6.8	6.9	140
146	6.3	6.5	6.6	7	7.1	7.2	6.5	6.7	6.8	7	7.1	7.2	6.3	6.5	6.6	146
152	5.9	6.1	6.2	6.6	6.7	6.8	6.2	6.3	6.5	6.7	6.8	6.9	6	6.2	6.3	152
158	5.6	5.7	5.9	6.3	6.4	6.5	5.9	6	6.2	6.4	6.5	6.6	5.6	5.8	6	158
164	5.3	5.4	5.5	6	6.1	6.2	5.6	5.7	5.8	6.1	6.2	6.3	5.3	5.5	5.7	164
170	5	5.1	5.2	5.8	5.8	5.9	5.3	5.4	5.5	5.5	5.9	6	5	5.2	5.4	170
176	4.7	4.8	4.9	5.5	5.6	5.6	5.1	5.1	5.2	4.9	5.3	5.6	4.6	4.9	5	176
182	4.4	4.5	4.5	5.2	5.3	5.4	4.8	4.9	5	4.3	4.7	5	4	4.4	4.7	182
188	4.1	4.2	4.2	4.7	5	5	4.5	4.6	4.7	3.7	4.1	4.3	3.5	3.9	4.1	188
194	3.9	4	4	4.1	4.4	4.5	4.1	4.3	4.4	3.1	3.5	3.6	2.9	3.3	3.5	194
200				3.6	3.8		3.5	3.8	3.9	2.6	2.9	3		2.8	3	200
210							2.7	2.9								210

General Information

Hydraulic Truck Cranes

Crawler Cranes

Carry Decks

Rough Terrain Cranes

Rigging Equipment

Aerial Lifts

Transportation

175 t All Terrain Crane

LIEBHERR LTM 1130-5.1



General Information


166-194 ft


23 ft


62 ft


92,600 lbs


26'6"x24'7"


360°

85
85%

Hydraulic Truck Cranes

Crawler Cranes

Carry Decks

Rough Terrain Cranes

Rigging Equipment

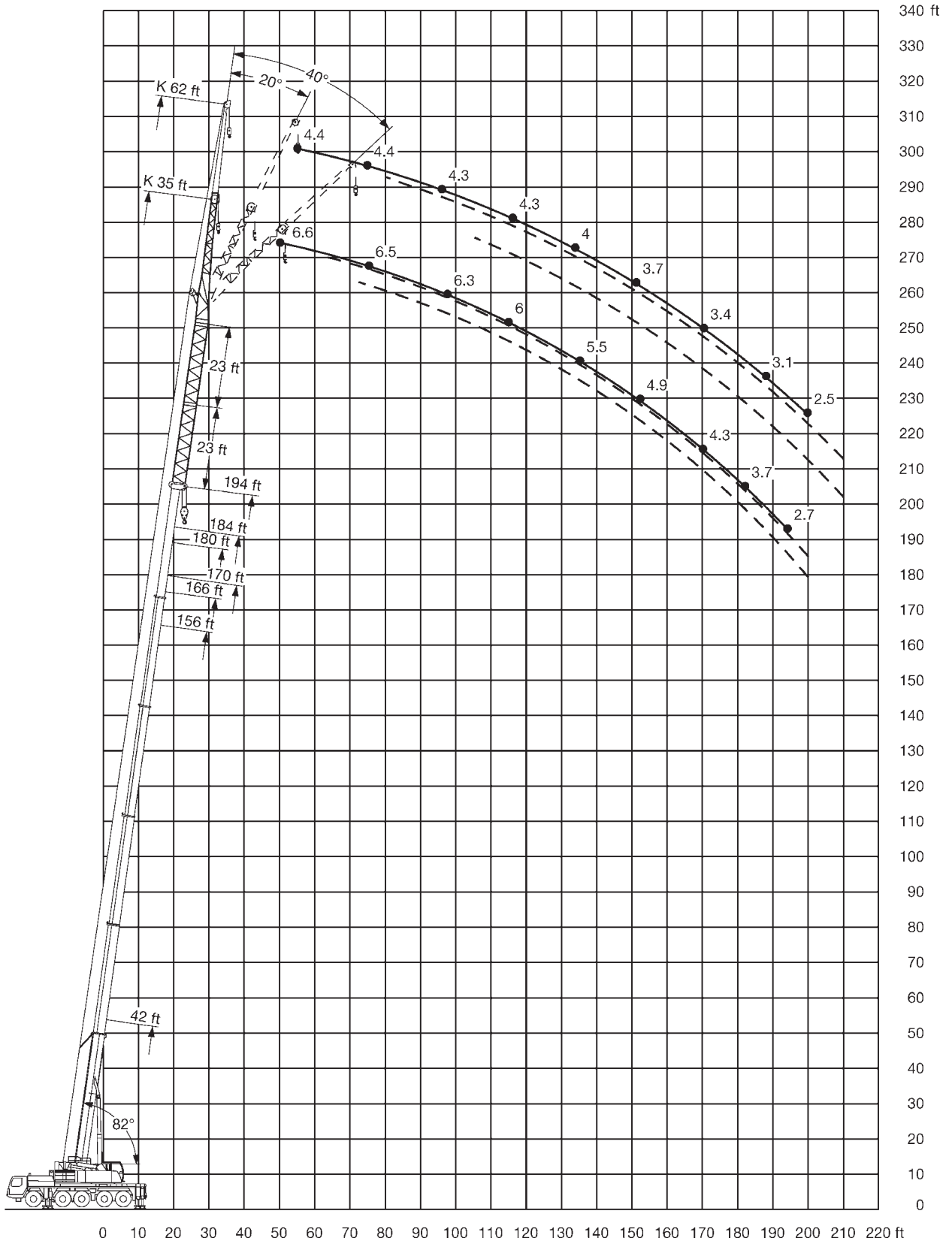
Aerial Lifts

Transportation

ft	166			170			180			184			194			ft
	0°	20°	40°	0°	20°	40°	0°	20°	40°	0°	20°	40°	0°	20°	40°	
44	7.8			8			7.3			7.5						44
50	7.8			8			7.3			7.5			6.6			50
56	7.8			8			7.3			7.5			6.6			56
62	7.8			8			7.3			7.5			6.6			62
68	7.8	7.8		8	7.8		7.3	7		7.4	7.3		6.6			68
74	7.8	7.7		8	7.8		7.3	7		7.4	7.3		6.6	6.3		74
80	7.8	7.5	6.8	8	7.7	7	7.3	7		7.4	7.3		6.6	6.3		80
86	7.7	7.3	6.8	8	7.6	7	7.3	7	6.6	7.3	7.3	6.8	6.6	6.3		86
92	7.6	7	6.7	7.9	7.3	6.9	7.2	6.9	6.5	7.3	7.1	6.8	6.5	6.3		92
98	7.3	6.8	6.5	7.7	7.1	6.7	7.1	6.7	6.4	7.2	6.9	6.6	6.5	6.3	6.1	98
104	7.1	6.6	6.3	7.5	6.9	6.5	6.9	6.5	6.2	7.1	6.7	6.4	6.5	6.3	6	104
110	6.9	6.4	6.1	7.2	6.6	6.4	6.8	6.3	6.1	7	6.5	6.3	6.4	6.1	5.9	110
116	6.6	6.2	6	6.9	6.4	6.2	6.6	6.1	5.9	6.8	6.3	6.1	6.3	5.9	5.8	116
122	6.4	6	5.8	6.7	6.2	6	6.3	5.9	5.7	6.6	6.1	5.9	6.1	5.8	5.6	122
128	6.2	5.8	5.7	6.5	6.1	5.9	6.1	5.8	5.6	6.4	6	5.8	6	5.7	5.5	128
134	6	5.6	5.5	6.3	5.9	5.7	5.9	5.6	5.5	6.2	5.8	5.7	5.8	5.5	5.4	134
140	5.8	5.5	5.4	6.1	5.7	5.6	5.8	5.5	5.4	6	5.7	5.6	5.7	5.4	5.3	140
146	5.6	5.3	5.3	5.9	5.6	5.5	5.6	5.3	5.2	5.9	5.5	5.4	5.5	5.3	5.2	146
152	5.4	5.2	5.1	5.7	5.4	5.3	5.4	5.2	5.1	5.7	5.4	5.3	5.3	5.1	5.1	152
158	5.1	5.1	5	5.5	5.3	5.3	5.3	5.1	5	5.5	5.3	5.2	5.1	5	5	158
164	4.9	4.9	4.9	5.3	5.1	5.1	5	4.9	4.9	5.4	5.2	5.1	4.9	4.9	4.9	164
170	4.6	4.7	4.7	5.1	5	5	4.8	4.8	4.8	5.1	5	5	4.7	4.7	4.8	170
176	4.3	4.5	4.6	4.9	4.8	4.9	4.6	4.7	4.7	4.9	4.9	4.9	4.6	4.6	4.7	176
182	4	4.2	4.4	4.6	4.7	4.8	4.3	4.5	4.6	4.6	4.7	4.8	4.4	4.5	4.6	182
188	3.8	4	4.2	4.4	4.5	4.6	4.1	4.2	4.4	4.2	4.6	4.7	3.9	4.3	4.5	188
194	3.6	3.8	3.9	4.2	4.3	4.5	3.9	4	4.2	3.6	4.3	4.5	3.5	4.1	4.3	194
200	3.3	3.6	3.7	4	4.2	4.3	3.7	3.8	4	3.2	3.8	4.2	3	3.7	4	200
210	3	3.2	3.2	3.4	3.8	3.9	3.2	3.5	3.6	2.4	3	3.3	2.3	2.9	3.2	210
220	2.7	2.8		2.6	3		2.5	3	3.1							220
230	2.4				2.2			2.2	2.2							230

All information given are for reference only.

All information given are for reference only.



General Information

Hydraulic Truck Cranes

Crawler Cranes

Carry Decks

Rough Terrain Cranes

Rigging Equipment

Aerial Lifts

Transportation

175 t All Terrain Crane

LIEBHERR LTM 1130-5.1



General Information


166-194 ft


46 ft


35 ft


92,600 lbs


26'6"x24'7"


360°

85
85%

Hydraulic Truck Cranes

Crawler Cranes

Carry Decks

Rough Terrain Cranes

Rigging Equipment

Aerial Lifts

Transportation

ft	166			170			180			184			194			ft
	0°	20°	40°	0°	20°	40°	0°	20°	40°	0°	20°	40°	0°	20°	40°	
44	8.3			8.5			7.3			7.5						44
50	8.3			8.5			7.3			7.5			6.6			50
56	8.3	8.3		8.5	8.5		7.3	7.3		7.5			6.6			56
62	8.3	8.3	8	8.5	8.5	8.3	7.3	7.3		7.5	7.5		6.6	6.6		62
68	8.2	8.1	7.9	8.5	8.4	8.2	7.3	7.3	7.3	7.5	7.5	7.5	6.6	6.6		68
74	8.1	7.9	7.7	8.3	8.2	8	7.3	7.3	7.3	7.5	7.5	7.5	6.5	6.6	6.6	74
80	7.8	7.6	7.4	8.1	7.9	7.7	7.3	7.2	7.2	7.4	7.4	7.4	6.5	6.6	6.6	80
86	7.5	7.3	7.1	7.9	7.6	7.4	7.2	7	6.9	7.3	7.3	7.2	6.5	6.5	6.5	86
92	7.3	7	6.9	7.7	7.3	7.2	7	6.8	6.7	7.2	7.1	6.9	6.4	6.5	6.5	92
98	7	6.7	6.6	7.4	7.1	6.9	6.8	6.6	6.5	7.1	6.9	6.7	6.3	6.3	6.3	98
104	6.8	6.5	6.4	7.1	6.8	6.7	6.6	6.4	6.3	6.9	6.6	6.5	6.3	6.1	6.1	104
110	6.5	6.3	6.1	6.9	6.6	6.4	6.4	6.1	6.1	6.7	6.4	6.3	6.1	6	5.9	110
116	6.2	6.1	5.9	6.6	6.4	6.2	6.2	6	5.9	6.5	6.2	6.1	6	5.8	5.7	116
122	6	5.8	5.8	6.4	6.1	6	6	5.8	5.7	6.2	6	5.9	5.8	5.6	5.6	122
128	5.8	5.6	5.6	6.2	5.9	5.8	5.8	5.6	5.5	6	5.8	5.7	5.6	5.4	5.4	128
134	5.6	5.4	5.4	5.9	5.7	5.7	5.6	5.4	5.4	5.8	5.6	5.6	5.5	5.3	5.3	134
140	5.4	5.3	5.2	5.7	5.5	5.5	5.4	5.2	5.2	5.7	5.5	5.4	5.3	5.1	5.1	140
146	5.2	5.1	5.1	5.5	5.4	5.3	5.2	5.1	5.1	5.5	5.3	5.3	5.1	5	5	146
152	5	4.9	4.9	5.3	5.2	5.2	5	5	4.9	5.3	5.2	5.1	4.9	4.8	4.8	152
158	4.7	4.7	4.7	5.1	5	5	4.9	4.8	4.8	5.1	5	5	4.7	4.7	4.7	158
164	4.4	4.4	4.5	4.9	4.8	4.8	4.6	4.7	4.7	4.9	4.9	4.9	4.5	4.5	4.6	164
170	4.1	4.2	4.3	4.6	4.6	4.7	4.4	4.4	4.5	4.7	4.7	4.7	4.3	4.4	4.4	170
176	3.8	4	4	4.4	4.4	4.5	4.1	4.2	4.3	4.4	4.5	4.6	4.1	4.2	4.3	176
182	3.6	3.7	3.8	4.2	4.2	4.3	3.9	4	4	3.9	4.3	4.4	3.7	4	4.1	182
188	3.3	3.5	3.5	4	4	4.1	3.6	3.7	3.8	3.4	3.8	4	3.2	3.6	3.8	188
194	3.1	3.2	3.3	3.7	3.8	3.9	3.4	3.5	3.6	2.9	3.3	3.5	2.7	3.1	3.3	194
200	2.9	3	3	3.4	3.6	3.7	3.1	3.3	3.4		2.7	2.9		2.6	2.8	200
210	2.5	2.6	2.6	2.5	2.8	2.9	2.4	2.7	2.9							210
220	2.2	2.3														220

All information given are for reference only.



166-194 ft



46 ft



62 ft



92,600 lbs



26'6"x24'7"



360°

85
85%

All information given are for reference only.

ft	166			170			180			184			194			ft
	0°	20°	40°	0°	20°	40°	0°	20°	40°	0°	20°	40°	0°	20°	40°	
50	5.6			5.8			4.9			5.1						50
56	5.6			5.8			4.9			5.1			4.4			56
62	5.6			5.8			4.9			5.1			4.4			62
68	5.6			5.8			4.9			5.1			4.4			68
74	5.6	5.6		5.8	5.8		4.9	4.9		5.1	5.1		4.4			74
80	5.6	5.6		5.7	5.8		4.9	4.9		5	5.1		4.4	4.4		80
86	5.5	5.6	5.1	5.6	5.8	5.3	4.9	4.9		5	5.1		4.3	4.4		86
92	5.4	5.4	5.1	5.6	5.6	5.3	4.9	4.9		5	5.1		4.3	4.4		92
98	5.3	5.2	5.1	5.5	5.4	5.3	4.9	4.9	4.9	4.9	5.1	5.1	4.3	4.4		98
104	5.2	5	4.9	5.5	5.2	5.1	4.9	4.8	4.8	4.9	5	4.9	4.3	4.4	4.4	104
110	5.1	4.8	4.7	5.3	5	4.9	4.9	4.7	4.6	4.9	4.8	4.8	4.3	4.4	4.4	110
116	4.9	4.6	4.6	5.1	4.9	4.7	4.8	4.6	4.5	4.8	4.7	4.6	4.3	4.3	4.3	116
122	4.7	4.5	4.4	4.9	4.7	4.6	4.6	4.4	4.3	4.7	4.6	4.5	4.2	4.2	4.2	122
128	4.5	4.3	4.2	4.7	4.5	4.4	4.4	4.2	4.2	4.6	4.4	4.3	4.1	4.1	4.1	128
134	4.3	4.1	4.1	4.6	4.3	4.3	4.3	4.1	4	4.4	4.3	4.2	4	4	4	134
140	4.1	4	4	4.4	4.2	4.1	4.1	4	3.9	4.3	4.1	4.1	3.9	3.8	3.8	140
146	4	3.8	3.8	4.2	4	4	4	3.8	3.8	4.1	4	3.9	3.8	3.7	3.7	146
152	3.9	3.7	3.7	4.1	3.9	3.9	3.8	3.7	3.7	4	3.9	3.8	3.7	3.6	3.6	152
158	3.7	3.6	3.6	3.9	3.8	3.8	3.7	3.6	3.6	3.9	3.7	3.7	3.6	3.5	3.5	158
164	3.6	3.5	3.5	3.8	3.7	3.6	3.6	3.5	3.4	3.8	3.6	3.6	3.5	3.4	3.4	164
170	3.4	3.4	3.4	3.7	3.5	3.5	3.5	3.4	3.4	3.7	3.5	3.5	3.4	3.3	3.3	170
176	3.3	3.2	3.2	3.6	3.4	3.4	3.4	3.2	3.3	3.5	3.4	3.4	3.3	3.2	3.2	176
182	3.1	3.1	3.2	3.4	3.3	3.3	3.2	3.2	3.2	3.4	3.3	3.3	3.2	3.1	3.1	182
188	3	3	3	3.3	3.2	3.2	3.1	3	3.1	3.3	3.2	3.2	3.1	3	3.1	188
194	2.8	2.9	2.9	3.2	3.1	3.2	2.9	2.9	3	3	3.1	3.2	2.9	3	3	194
200	2.6	2.8	2.8	3.1	3	3.1	2.8	2.8	2.9	2.7	3	3.1	2.5	2.9	2.9	200
210	2.3	2.5	2.6	2.8	2.9	3	2.5	2.6	2.7		2.6	2.9		2.4	2.7	210
220		2.1	2.2		2.6	2.7		2.4	2.5							220
230						2.2			2.2							230

General Information

Hydraulic Truck Cranes

Crawler Cranes

Carry Decks

Rough Terrain Cranes

Rigging Equipment

Aerial Lifts

Transportation

175 t All Terrain Crane

LIEBHERR LTM 1130-5.1



General Information

Hydraulic Truck Cranes

Crawler Cranes

Carry Decks

Rough Terrain Cranes

Rigging Equipment

Aerial Lifts

Transportation

All information given are for reference only.