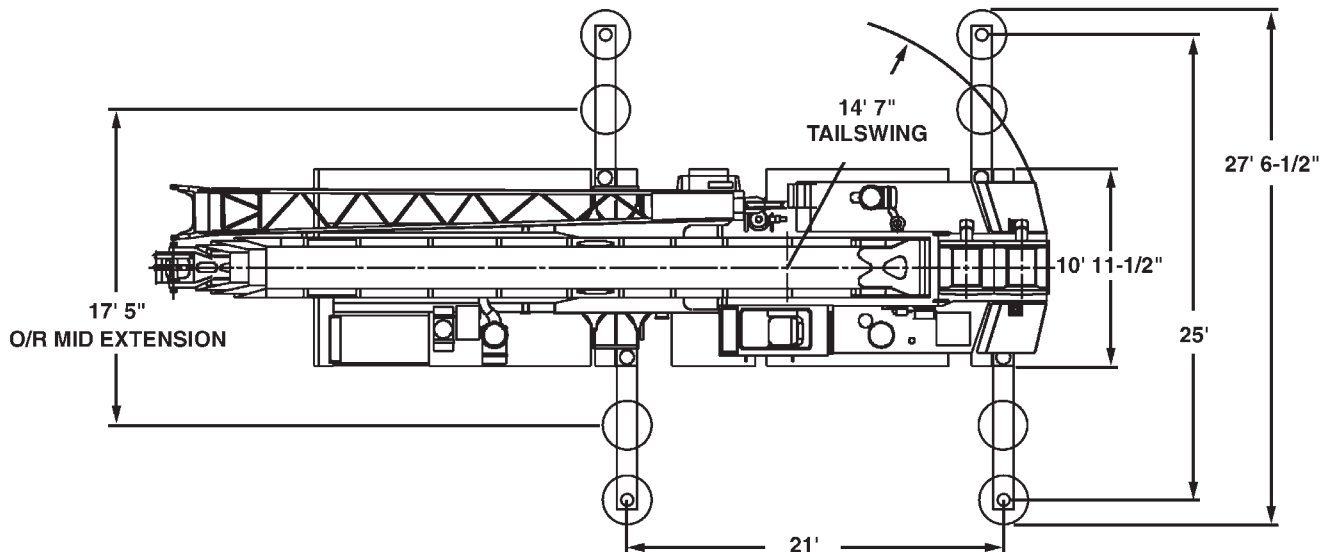
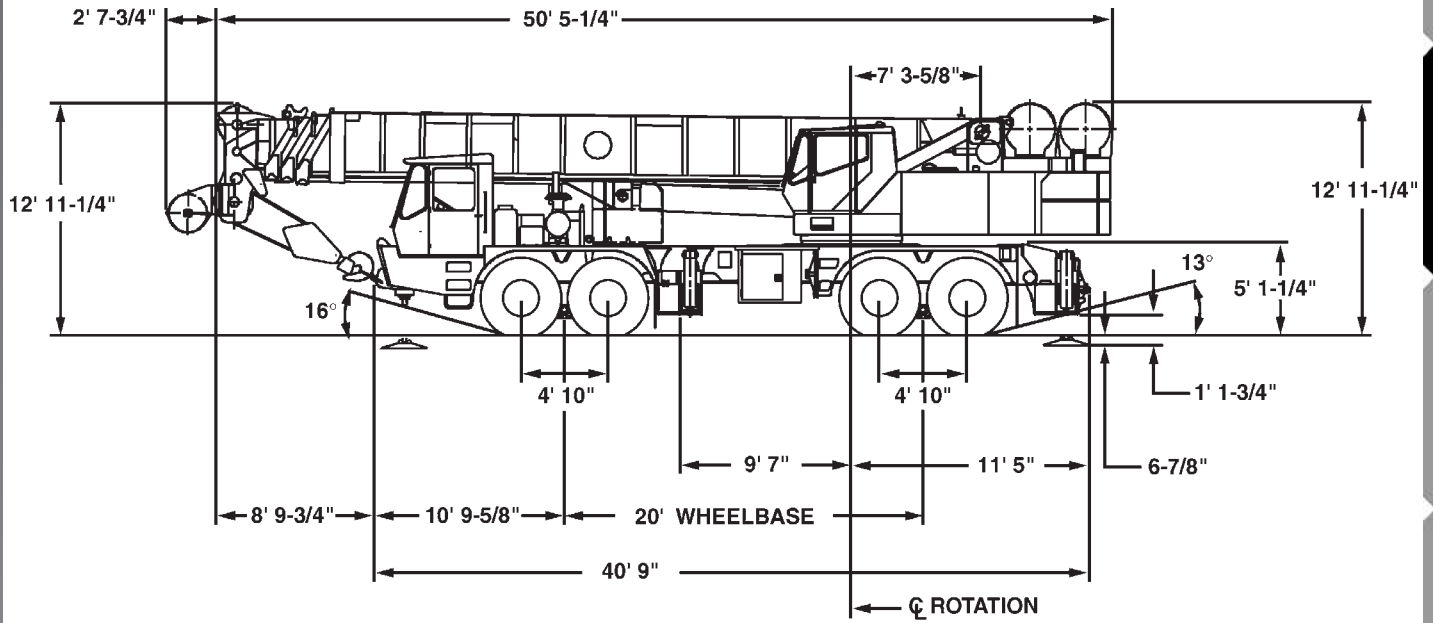


120 t Hydraulic Truck Crane



All information given are for reference only.

General Information

Hydraulic Truck Cranes

Crawler Cranes

Carry Decks

Rough Terrain Cranes

Rigging Equipment

Aerial Lifts

Transportation

120 t Hydraulic Truck Crane

GROVE TM 9120



General Information

Hydraulic Truck Cranes

Crawler Cranes

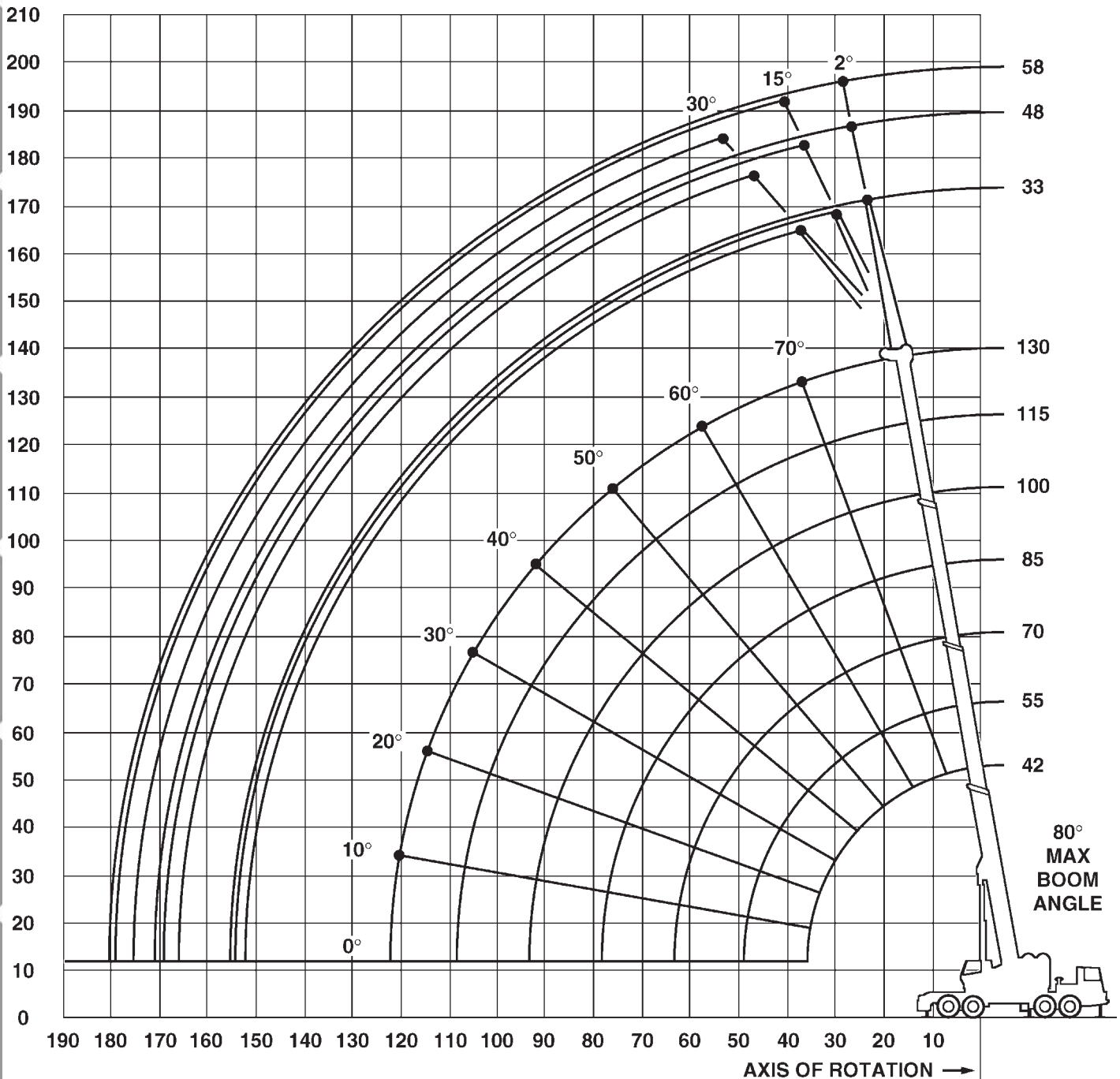
Carry Decks

Rough Terrain Cranes

Rigging Equipment

Aerial Lifts

Transportation



All information given are for reference only.


 42-130 ft


 30,000 lbs


 21'x25'


 360°

85
 85%

ft	42	55	70	85	100	115	130	ft
10	240							10
12	209.5	124.5	123.5					12
15	179.5	124.5	123.5	92.4				15
20	131	124.5	111.5	78.6	69			20
25	101	101	95.7	67.45	59.25	54	42	25
30	80.7	80.7	80.65	59.1	51.35	49.7	42	30
35		66.55	66.5	52.6	45.2	43.65	40.45	35
40		56	56	46.5	40.3	38.9	35.95	40
45		46.3	46.3	41.55	36.1	35	32.25	45
50			38.3	37.5	32.6	31.75	29.2	50
60			27.3	27.3	27	26.4	24.45	60
70				20.15	20.15	22.2	20.65	70
80					15.1	17.45	17.65	80
90					11	13.7	13.9	90
100						10.8	10.85	100
110							8.48	110
120							6.51	120


 42-130 ft


 30,000 lbs


 21'x25'


 0°

85
 85%

ft	42	55	70	85	100	115	130	ft
10	240							10
12	209.5	124.5	123.5					12
15	179.5	124.5	123.5	92.4				15
20	131	124.5	111.5	78.6	69			20
25	101	101	95.7	67.45	59.25	54	42	25
30	80.7	80.7	80.65	59.1	51.35	49.7	42	30
35		66.55	66.5	52.6	45.2	43.65	40.45	35
40		56	56	46.5	40.3	38.9	35.95	40
45		47.8	47.8	41.55	36.1	35	32.25	45
50			40.3	37.5	32.6	31.75	29.2	50
60			28.45	28.45	27	26.4	24.45	60
70				20.65	20.65	22.2	20.65	70
80					15.1	18.85	17.65	80
90					11	15.05	15.25	90
100						10.85	11.95	100
110							9.33	110
120							7.19	120

All information given are for reference only.

General Information

Hydraulic Truck Cranes

Crawler Cranes

Carry Decks

Rough Terrain Cranes

Rigging Equipment

Aerial Lifts

Transportation

120 t Hydraulic Truck Crane

GROVE TM 9120



General Information



100 ft



33/48/58 ft



30,000 lbs



21'x25'



360°

85

85%

Hydraulic Truck Cranes

ft	33			48			58			ft
	2°	15°	30°	2°	15°	30°	2°	15°	30°	
25	24.25									25
30	22.6	15.9		16.5						30
35	20.75	15.55	11.7*	15.2			13.2			35
40	19.2	14.65	11.5	14.05	10.5		12.1			40
45	17.75	13.75	11.2	13.05	10.1		11.15	8.5		45
50	16.5	13.05	10.75	12.2	9.54	7.7	10.5	8.12		50
60	14.65	11.9	10.05	10.75	8.62	7.15	9.22	7.39	6.1	60
70	13	10.9	9.43	9.55	7.87	6.67	8.2	6.72	5.61	70
80	11.75	10.1	8.92	8.57	7.25	6.24	7.36	6.18	5.25	80
90	10.65	9.4	8.52	7.8	6.73	5.92	6.71	5.69	4.95	90
100	9.78	8.83	8.18	7.14	6.25	5.63	6.1	5.29	4.69	100
110	8.27	8.27	8.05	6.52	5.86	5.41	5.56	4.92	4.48	110
120	6.26	6.26		6.05	5.54	5.26	5.15	4.63	4.29	120
130				5.59	5.18	4.99	4.74	4.3	4.13	130
140				4.765			4.37	4.03		140
150							4.06			150

* This capacity is based upon maximum boom angle

Crawler Cranes

Carry Decks

Rough Terrain Cranes



130 ft



33/48/58 ft



30,000 lbs



21'x25'



360°

85

85%

Rigging Equipment

Aerial Lifts

Transportation

ft	33			48			58			ft
	2°	15°	30°	2°	15°	30°	2°	15°	30°	
30	24.25*									30
35	23	15.9*		16.5*						35
40	21.3	15.65		15.4			13.2			40
45	19.9	14.9	11.65	14.4	10.5*		12.2			45
50	18.7	14.15	11.35	13.5	10.2		11.45	8.5*		50
60	16.6	13	10.65	12.05	9.31	7.5	10.25	7.87	6.1*	60
70	15	12.05	10.05	10.85	8.57	7.03	9.17	7.26	5.91	70
80	13.6	11.2	9.55	9.8	7.94	6.66	8.32	6.71	5.53	80
90	12.45	10.5	9.1	8.92	7.4	6.3	7.57	6.26	5.25	90
100	11.25	9.86	8.75	8.21	6.96	6.01	7.01	5.84	5	100
110	8.55	8.55	8.44	7.62	6.54	5.8	6.47	5.47	4.77	110
120	6.65	6.65	6.65	7.08	6.17	5.56	5.98	5.16	4.6	120
130	5.07	5.07	5.07	6.25	5.86	5.4	5.55	4.86	4.43	130
140	3.74	3.74	3.74	4.87	4.87	4.87	5.2	4.63	4.28	140
150	2.6	2.6		3.69	3.69	3.69	4.35	4.35	4.19	150
160				2.68	2.68		3.33	3.33	3.33	160
170				1.79			2.43	2.43		170
180							1.64			180

* This capacity is based upon maximum boom angle

All information given are for reference only.