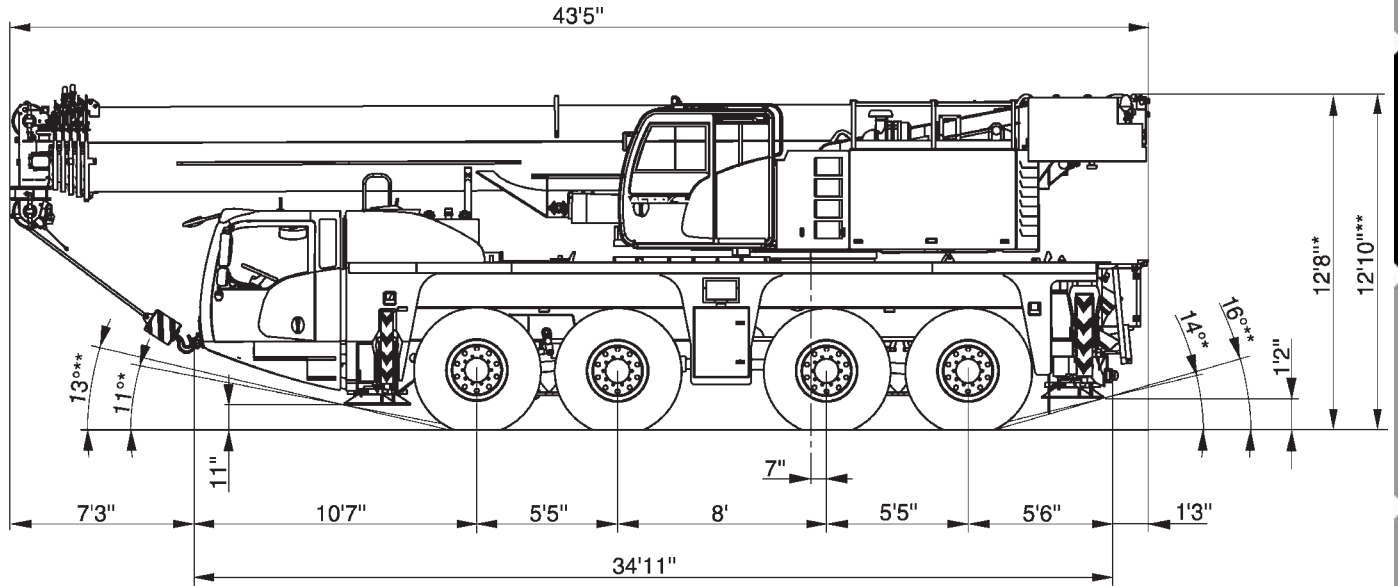
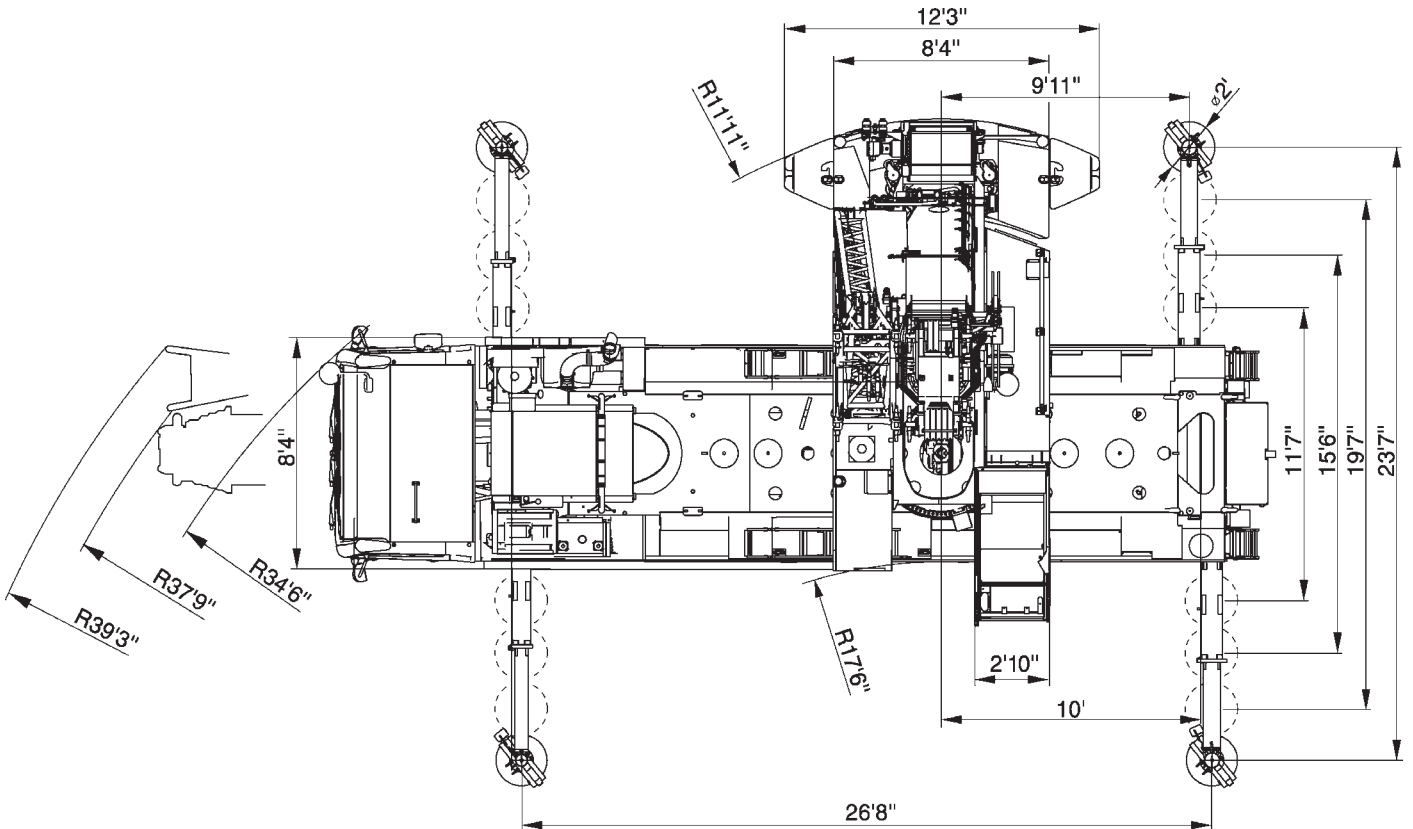


120 t All Terrain Crane



* Wheels 14"
 ** Wheels 16"



All information given are for reference only.

General Information

Hydraulic Truck Cranes

Crawler Cranes

Carry Decks

Rough Terrain Cranes

Rigging Equipment

Aerial Lifts

Transportation

120 t All Terrain Crane

TEREX-DEMAG AC 100/4L



General Information

Hydraulic Truck Cranes

Crawler Cranes

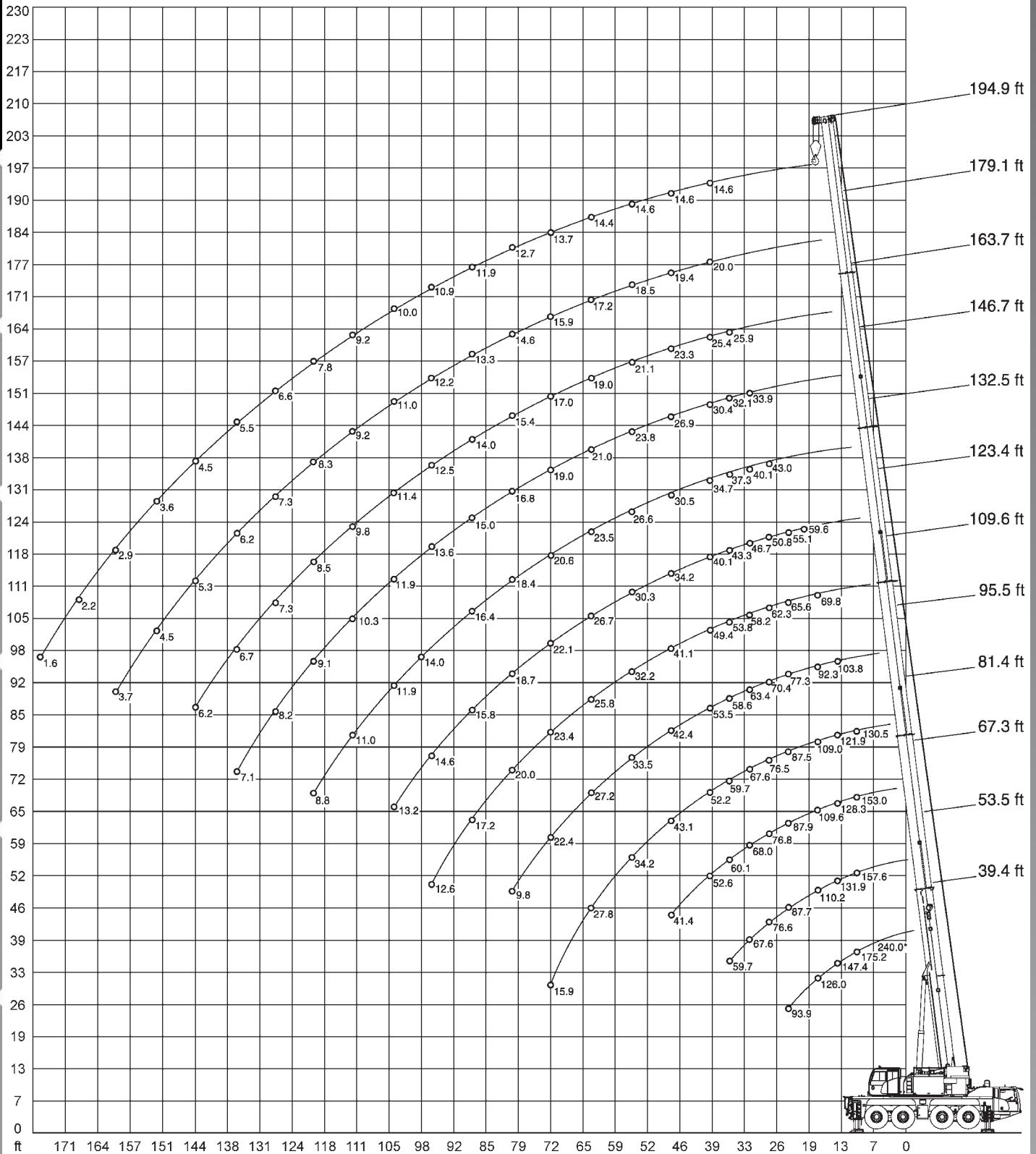
Carry Decks

Rough Terrain Cranes

Rigging Equipment

Aerial Lifts

Transportation



All information given are for reference only.


 39.4-194.9 ft


 57,500 lbs


 26'8"x23'7"


 360°

85
 85%

All information given are for reference only.

ft	39.4*	39.4	53.5	67.3	81.4	95.5	109.6	123.4	132.5	146.7	163.7	179.1	194.9	ft
	240**													
10	175.2	161.4	157.6	153	130.5									10
12	160.3	145.3	144.1	139.7	127									12
14	147.4	131.6	131.9	128.3	121.9	103.8								14
16	136	119.4	120.1	118.7	116.3	97.8								16
18	126	109.5	110.2	109.6	109	92.3	69.8							18
20	115.9	100.2	101.6	101	101.4	86.9	68.4	59.6						20
24	93.9	85.9	87.7	87.9	87.5	77.3	65.6	55.1						24
28			76.6	76.8	76.5	70.4	62.3	50.8	43					28
32			67.6	68	67.6	63.4	58.2	46.7	40.1	33.9				32
36			59.7	60.1	59.7	58.6	53.8	43.3	37.3	32.1	25.9			36
40				52.6	52.2	53.5	49.4	40.1	34.7	30.4	25.4	20	14.6	40
48				41.4	43.1	42.4	41.1	34.2	30.5	26.9	23.3	19.4	14.6	48
56					34.2	33.5	32.2	30.3	26.6	23.8	21.1	18.5	14.6	56
64					27.8	27.2	25.8	26.7	23.5	21	19	17.2	14.4	64
72					15.9	22.4	23.4	22.1	20.6	19	17	15.9	13.7	72
80						9.8	20	18.7	18.4	16.8	15.4	14.6	12.7	80
88							17.2	15.8	16.4	15	14	13.3	11.9	88
96							12.6	14.6	14	13.6	12.5	12.2	10.9	96
104								13.2	11.9	11.9	11.4	11	10	104
112									11	10.3	9.8	9.2	9.2	112
120									8.8	9.1	8.5	8.3	7.8	120
128										8.2	7.3	7.3	6.6	128
136										7.1	6.7	6.2	5.5	136
144											6.2	5.3	4.5	144
152												4.5	3.6	152
160												3.7	2.9	160
168													2.2	168
176													1.6	176

* 0°

** with special attachment

General Information

Hydraulic Truck Cranes

Crawler Cranes

Carry Decks

Rough Terrain Cranes

Rigging Equipment

Aerial Lifts

Transportation

120 t All Terrain Crane

TEREX-DEMAG AC 100/4L



39.4-194.9 ft



47,000 lbs



26'8"x23'7"



360°

85

85%

ft	39.4	53.5	67.3	81.4	95.5	109.6	123.4	132.5	146.7	163.7	179.1	194.9	ft
10	160.9	157.6	153	130.5									10
12	144.7	144	139.7	127									12
14	130.4	131.1	128.3	121.9	103.8								14
16	118.1	119	118.4	116.3	97.8								16
18	108.2	109.1	108.9	108.7	92.3	69.8							18
20	99.1	100.9	100.9	100.7	86.9	68.4	59.6						20
24	85.1	86.8	87.1	86.7	77.3	65.6	55.1						24
28		75.6	75.9	75.4	70.4	62.3	50.8	43					28
32		65.2	65.6	64.9	63.3	58.2	46.7	40.1	33.9				32
36		56.4	56.8	56.1	56.9	53.5	43.3	37.3	32.1	25.9			36
40			48.8	50.8	49.9	48.3	40.1	34.7	30.4	25.4	20	14.6	40
48			38.4	38.4	37.5	36.2	33.8	30.5	26.9	23.3	19.4	14.6	48
56				30.1	29.5	28.3	28.9	26.2	23.8	21.1	18.5	14.6	56
64				24.4	23.7	24.6	23.5	22.2	21	19	17.2	14.4	64
72				15.9	21.2	20.6	19.3	19.7	18.3	17	15.9	13.7	72
80					9.8	17.2	17.1	16.6	16.2	15	14.6	12.7	80
88						14.7	15.1	14	14	13.5	12.9	11.9	88
96						10.3	13	12.6	11.8	11.5	10.8	10.6	96
104							11.2	11	10.5	9.5	9.6	8.8	104
112								9.4	9	8.6	8.1	7.4	112
120								7	7.8	7.7	6.8	6.1	120
128									7.2	6.6	5.7	4.8	128
136									5.5	5.5	4.7	3.9	136
144										4.7	3.8	3.1	144
152											3	2.3	152
160											2.4		160


All information given are for reference only.



39.4-194.9 ft



33,300 lbs



26'8"x23'7"



360°

85
85%

General Information

Hydraulic Truck Cranes

Crawler Cranes

Carry Decks

Rough Terrain Cranes

Rigging Equipment

Aerial Lifts

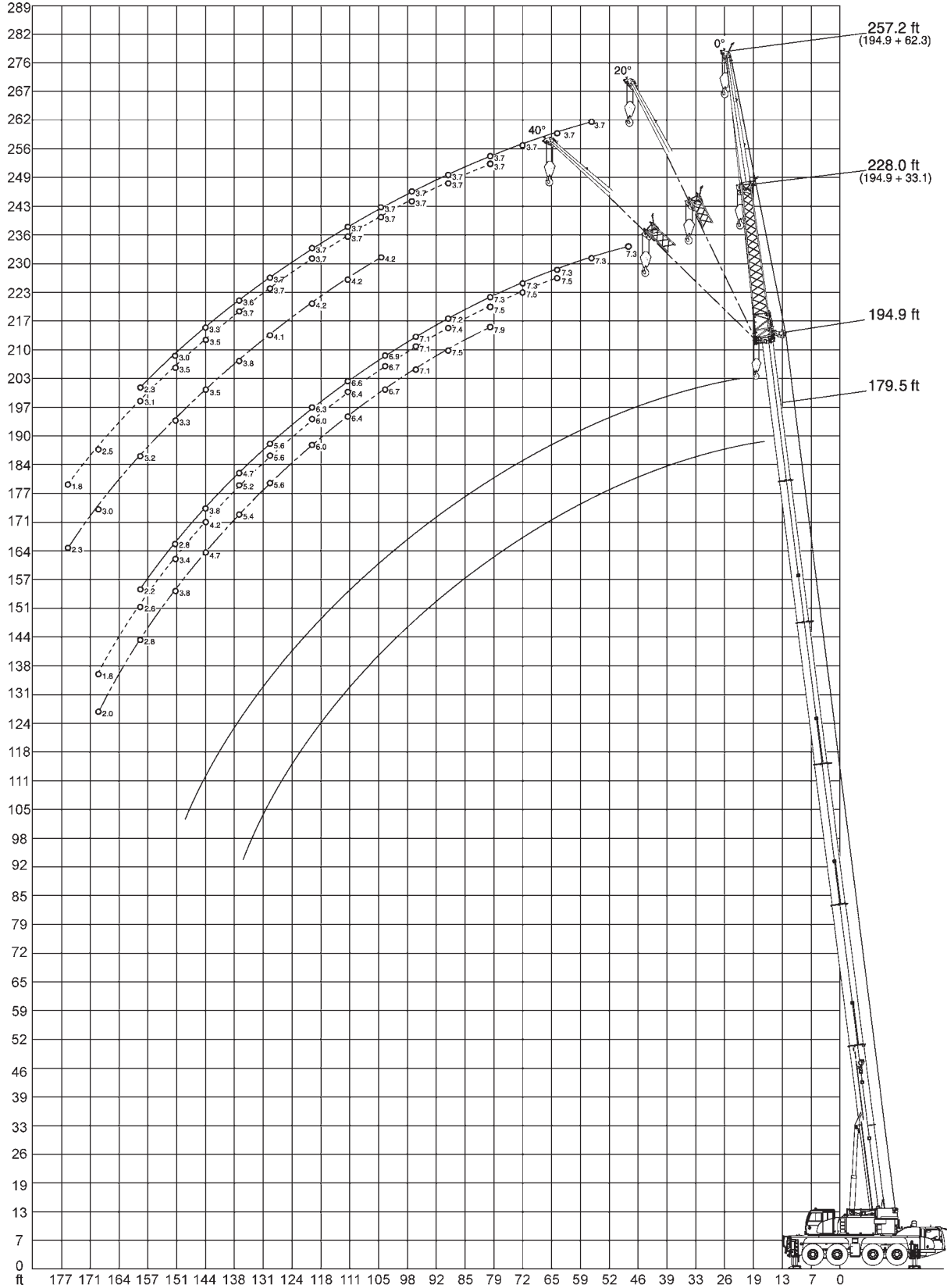
Transportation

All information given are for reference only.

ft	39.4	53.5	67.3	81.4	95.5	109.6	123.4	132.5	146.7	163.7	179.1	194.9	ft
10	160.2	157.6	153	130.5									10
12	143.1	143.4	139.7	127									12
14	128.7	129.4	128.2	121.9	103.8								14
16	116.5	117.4	117.1	116.3	97.8								16
18	106.8	107.7	108	108	92.3	69.8							18
20	97.8	99.6	99.8	99.4	86.9	68.4	59.6						20
24	82.8	84.9	85.2	84.8	77.1	65.6	55.1						24
28		71.1	71.5	71	67	62.3	50.8	43					28
32		58.7	59.1	60.1	59.8	55.4	46.7	40.1	33.9				32
36		49	49.5	51.6	50.7	47.7	42.7	37.3	32.1	25.9			36
40			43	42.9	42.1	40.5	38.7	34.6	30.4	25.4	20	14.6	40
48			32.3	32.2	31.4	31.1	31.2	28.5	26.7	23.3	19.4	14.6	48
56				25.2	25.6	25.6	24.2	23.7	22.4	21.1	18.5	14.6	56
64				20.7	21.2	20.5	20.6	19.7	19.4	18	17.2	14.4	64
72				15.9	17.5	17.5	17.3	17	16	15.7	14.8	13.7	72
80					9.8	15.1	14.4	14.2	13.9	12.8	12.5	11.5	80
88						12.8	12.6	11.9	11.5	11.2	10.6	9.3	88
96						9.1	10.7	10.1	9.9	9.6	8.7	7.7	96
104							9	8.4	8.6	7.9	7	6.2	104
112								7.7	7.2	6.6	5.7	5	112
120								4.8	6.1	5.5	4.6	3.7	120
128									5.2	4.5	3.6	2.8	128
136									3.7	3.7	2.7	1.9	136
144										2.9	2		144

120 t All Terrain Crane

TEREX-DEMAG AC 100/4L



General Information

Hydraulic Truck Cranes

Crawler Cranes

Carry Decks

Rough Terrain Cranes

Rigging Equipment

Aerial Lifts

Transportation

All information given are for reference only.



165.4-194.9 ft



33.1 ft



57,500 lbs



26'8"x23'7"



360°

85
85%

General Information

Hydraulic Truck Cranes

Crawler Cranes

Carry Decks

Rough Terrain Cranes

Rigging Equipment

Aerial Lifts

Transportation

All information given are for reference only.

ft	0°	165.4 20°	40°	0°	179.5 20°	40°	0°	194.9 20°	40°	ft
40	13.9									40
48	13.9			10.4			7.3			48
56	13.8	13.9		10.4			7.3			56
64	13.5	13.6		10.4	10.4		7.3	7.5		64
72	12.8	13	13.2	10.4	10.4		7.3	7.5		72
80	12	12.4	12.4	9.9	10.3	10.5	7.3	7.5	7.9	80
88	11.2	11.4	11.6	9.6	10	10.2	7.2	7.4	7.5	88
96	10.4	10.5	10.7	9.2	9.4	9.6	7.1	7.1	7.1	96
104	9.6	9.6	9.8	8.7	8.9	8.9	6.9	6.7	6.7	104
112	8.3	8.8	9	8.1	8.1	8.3	6.6	6.4	6.4	112
120	7.5	7.7	8.1	7.2	7.6	7.8	6.3	6	6	120
128	6.6	7.1	7.2	5.9	6.7	7	5.6	5.6	5.6	128
136	5.5	6.2	6.4	5.4	5.5	5.8	4.7	5.2	5.4	136
144	4.7	5.1	5.3	4.5	4.9	4.9	3.8	4.2	4.7	144
152	4.1	4.1	4.3	3.6	4.1	4.5	2.8	3.4	3.8	152
160	3.7	3.7		2.9	3.3	3.5	2.2	2.6	2.8	160
168	3.3	3.4		2.2	2.6	2.7		1.8	2	168
176	2.5	2.8			1.9					176

120 t All Terrain Crane

TEREX-DEMAG AC 100/4L



General Information


165.4-194.9 ft


62.3 ft


57,500 lbs


26'8"x23'7"


360°

85
85%

Hydraulic Truck Cranes

Crawler Cranes

Carry Decks

Rough Terrain Cranes

Rigging Equipment

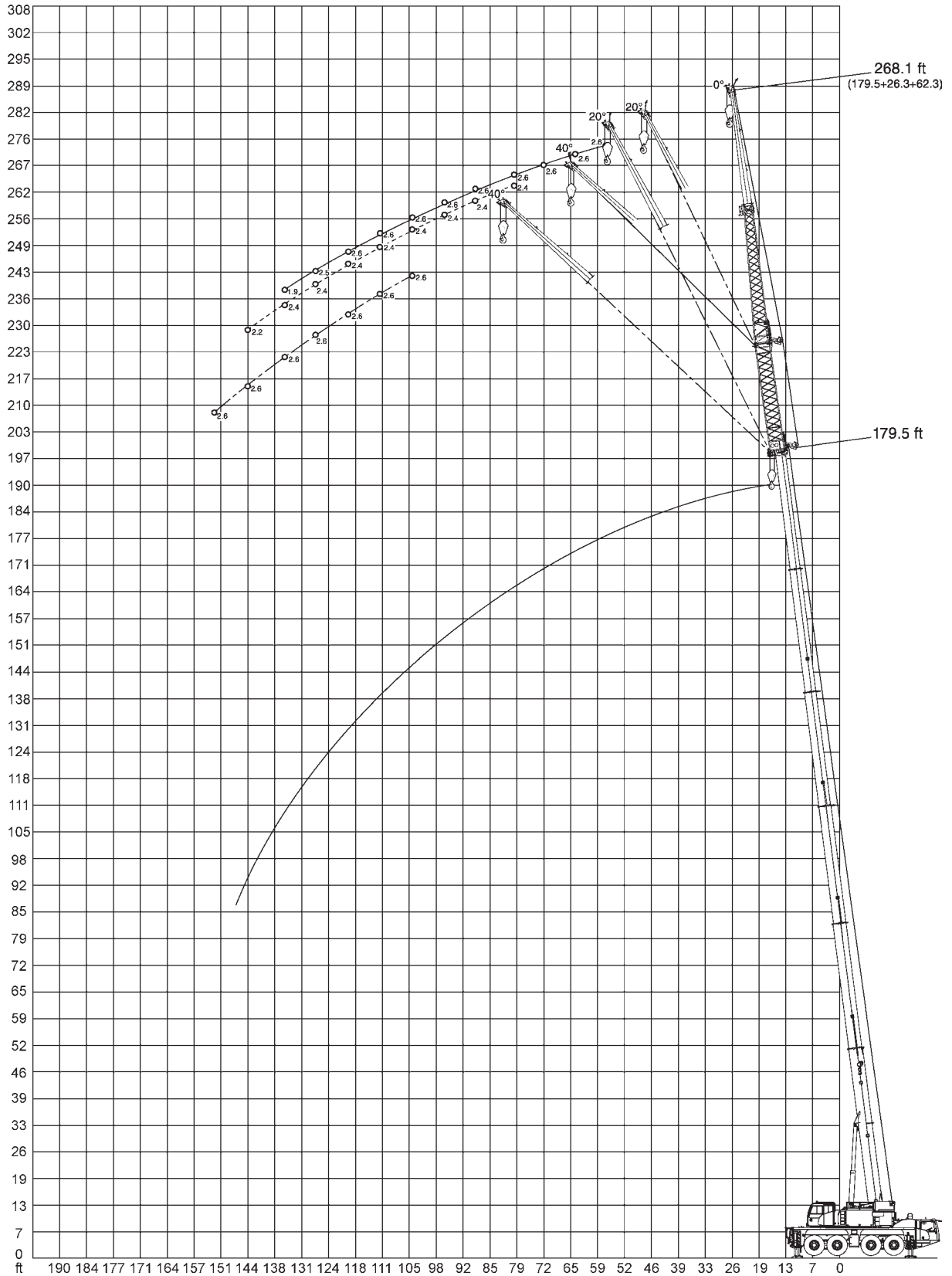
Aerial Lifts

Transportation

ft	0°	165.4 20°	40°	0°	179.5 20°	40°	0°	194.9 20°	40°	ft
48	7.7			5.5						48
56	7.7			5.5			3.7			56
64	7.7			5.5			3.7			64
72	7.7			5.5			3.7			72
80	7.5	7.5		5.5	5.5		3.7	3.7		80
88	7.4	7.5		5.5	5.5		3.7	3.7		88
96	7.3	7.5	7.1	5.5	5.5	6.2	3.7	3.7		96
104	7.3	7.3	6.9	5.5	5.5	6	3.7	3.7	4.2	104
112	6.8	7	6.8	5.5	5.5	5.7	3.7	3.7	4.2	112
120	6.5	6.8	6.6	5.4	5.5	5.5	3.7	3.7	4.2	120
128	5.8	6.6	6.6	5.2	5.5	5.4	3.7	3.7	4.1	128
136	5.1	5.9	6.3	4.9	5.4	5.3	3.6	3.7	3.8	136
144	4.9	5.1	5.8	4	5.1	5.1	3.3	3.5	3.5	144
152	3.9	4.6	4.7	3.5	4.3	4.8	3	3.5	3.3	152
160	3.1	3.9	4.5	3.1	3.5	4.1	2.3	3.1	3.2	160
168	2.7	3.3	3.8	2.4	3	3.1		2.5	3	168
176	2.5	2.5	3	1.8	2.5	2.7		1.8	2.3	176
184	2.2	2.2				2.2				184
192		2.1								192

All information given are for reference only.

All information given are for reference only.



General Information

Hydraulic Truck Cranes

Crawler Cranes

Carry Decks

Rough Terrain Cranes

Rigging Equipment

Aerial Lifts







Transportation

120 t All Terrain Crane

TEREX-DEMAG AC 100/4L



General Information

						85
151.6-179.5 ft	26.3 ft 0°	62.3 ft 0°/20°/40°	47,000 lbs	26'8"x23'7"	360°	85%







Hydraulic Truck Cranes

ft	0°	151.6		165.4		179.5		ft		
		20°	40°	20°	40°	20°	40°			
48	6.3							48		
56	6.2			4.4		2.6		56		
64	6			4.4		2.6		64		
72	5.7			4.4		2.6		72		
80	5.7	5.7		4.4	4.2	2.6	2.4	80		
88	5.5	5.6		4.4	4.2	2.6	2.4	88		
96	5.4	5.4	5.5	4.3	4.2	2.6	2.4	96		
104	5.1	5.3	5.3	4.2	4.2	4.2	2.6	2.4	2.6	104
112	5	5.1	5.1	4.2	4.2	4.2	2.6	2.4	2.6	112
120	4.4	5	5	3.9	4.1	4.2	2.6	2.4	2.6	120
128	3.9	4.6	4.7	3.2	4	4.2	2.5	2.4	2.6	128
136	3.4	4.2	4.6	2.8	3.3	4.2	1.9	2.4	2.6	136
144	3.1	3.4	4.2	2	3.1	3.6		2.2	2.6	144
152	2.5	3	3.4		2.5	3.1			2.5	152
160		2.5	2.8			2.6				160
168		1.9	2.4			1.8				168
176			1.8							176

Crawler Cranes

Carry Decks

Rough Terrain Cranes

						85
151.6-179.5 ft	26.3 ft 20°/40°	62.3 ft 0°	47,000 lbs	26'8"x23'7"	360°	85%

Rigging Equipment

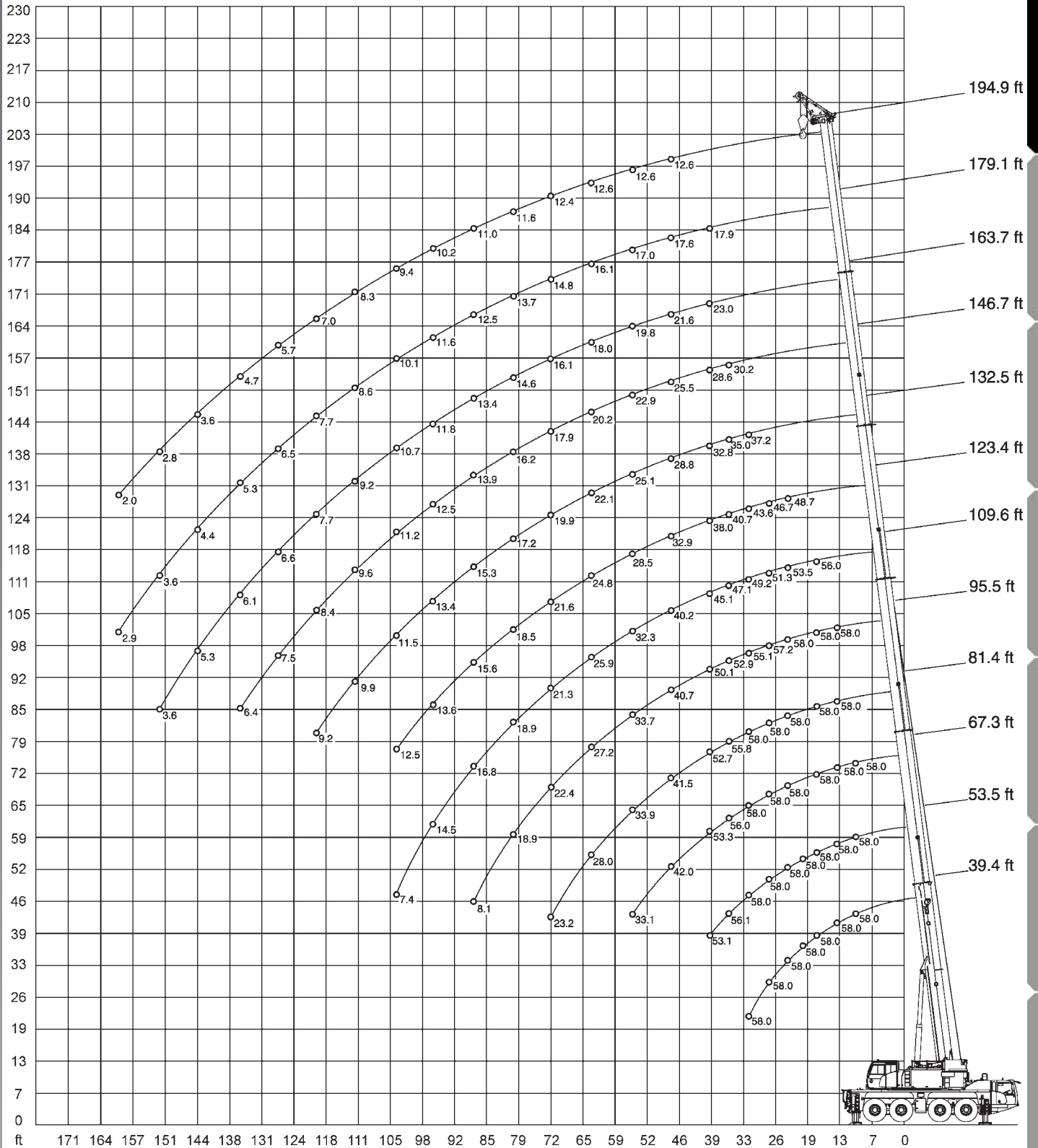
Aerial Lifts

ft	20°	151.6		165.4		179.5		ft
		40°		20°	40°	20°	40°	
88	5.4			4.2				88
96	5.2			4.2		2.4		96
104	4.9			4.2		2.4		104
112	4.8		4	4.2	3.7	2.4		112
120	4.6	3.9		4.2	3.7	2.4	3.1	120
128	4.4	3.7		4.1	3.6	2.4	3	128
136	4.2	3.7		3.8	3.5	2.4	2.9	136
144	3.8	3.7		3.1	3.5	2.4	2.9	144
152	2.9	3.5		2.8	3.4		2.6	152
160	2.6	3.1		2.2	2.6		2.5	160
168	2.2	2.4			2.3		1.8	168
176		2.2						176

Transportation

All information given are for reference only.

All information given are for reference only.



General Information
 Hydraulic Truck Cranes
 Crawler Cranes
 Carry Decks
 Rough Terrain Cranes
 Rigging Equipment
 Aerial Lifts
 Transportation

120 t All Terrain Crane

TEREX-DEMAG AC 100/4L



General Information



39.4-194.9 ft



4.9 ft



57,500 lbs



26'8"x23'7"



360°

85

85%

Hydraulic Truck Cranes

Crawler Cranes

Carry Decks

Rough Terrain Cranes

Rigging Equipment

Aerial Lifts

Transportation

ft	39.4	53.5	67.3	81.4	95.5	109.6	123.4	132.5	146.7	163.7	179.1	194.9	ft
10	58	58	58										10
12	58	58	58										12
14	58	58	58	58									14
16	58	58	58	58									16
18	58	58	58	58	58								18
20	58	58	58	58	58	56							20
24	58	58	58	58	58	53.5	48.7						24
28	58	58	58	58	57.2	51.3	46.7						28
32	58	58	58	58	55.1	49.2	43.6	37.2					32
36		56.1	56	55.8	52.9	47.1	40.7	35	30.2				36
40		53.1	53.3	52.7	50.1	45.1	38	32.8	28.6	23	17.9		40
48			42	41.5	40.7	40.2	32.9	28.8	25.5	21.6	17.6	12.6	48
56			33.1	33.9	33.7	32.3	28.5	25.1	22.9	19.8	17	12.6	56
64				28	27.2	25.9	24.8	22.1	20.2	18	16.1	12.6	64
72				23.2	22.4	21.3	21.6	19.9	17.9	16.1	14.8	12.4	72
80					18.9	18.9	18.5	17.2	16.2	14.6	13.7	11.6	80
88					8.1	16.8	15.6	15.3	13.9	13.4	12.5	11	88
96						14.5	13.6	13.4	12.5	11.8	11.6	10.2	96
104						7.4	12.5	11.5	11.2	10.7	10.1	9.4	104
112								9.9	9.6	9.2	8.6	8.3	112
120								9.2	8.4	7.7	7.7	7	120
128									7.5	6.6	6.5	5.7	128
136									6.4	6.1	5.3	4.7	136
144										5.3	4.4	3.6	144
152										3.6	3.6	2.8	152
160											2.9	2	160

All information given are for reference only.