

Features SL125

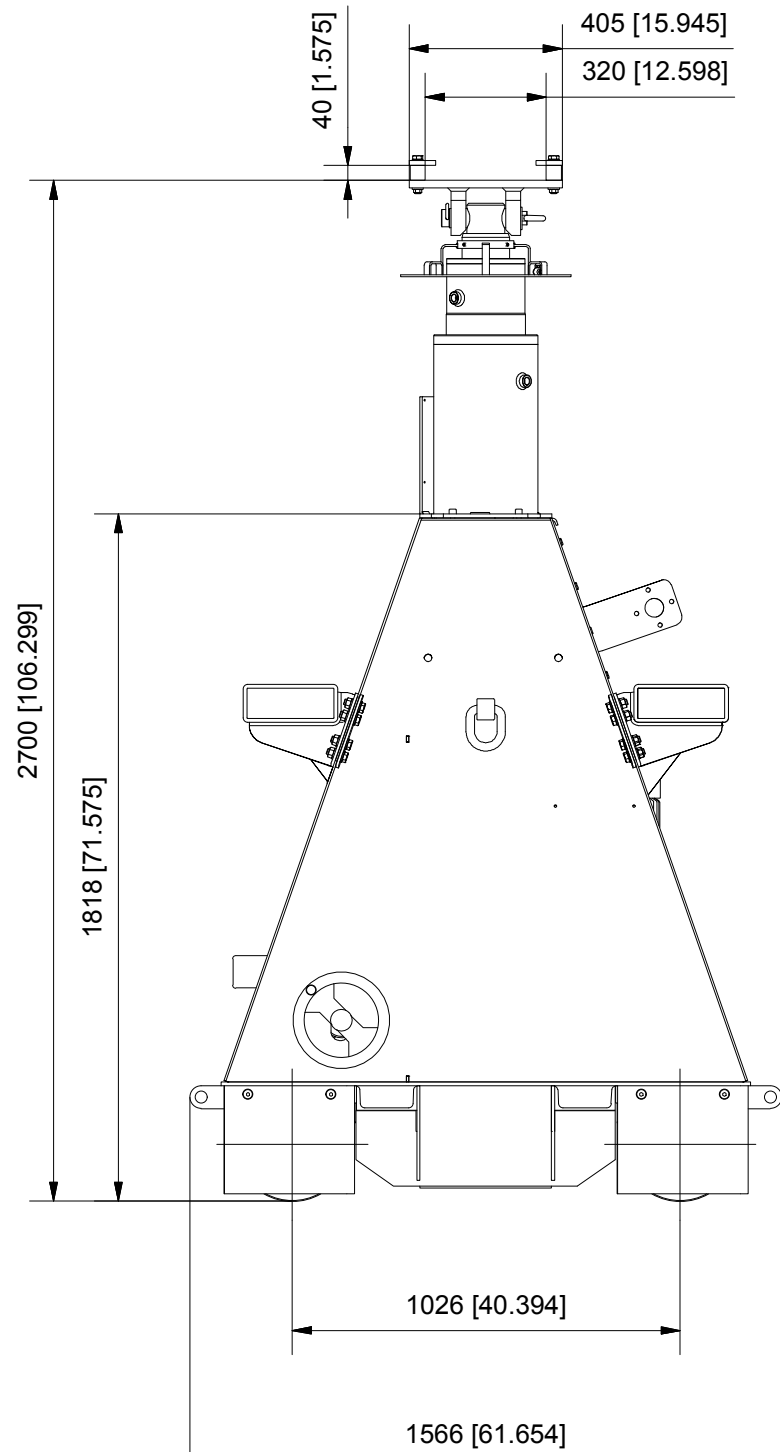
Safe Work Load Stage 1:	312.5 kN	(70 kips)
Safe Work Load Stage 2:	312.5 kN	(70 kips)
Self Weight (incl. oil):	2130 kg	(4696 lbs)

D

C

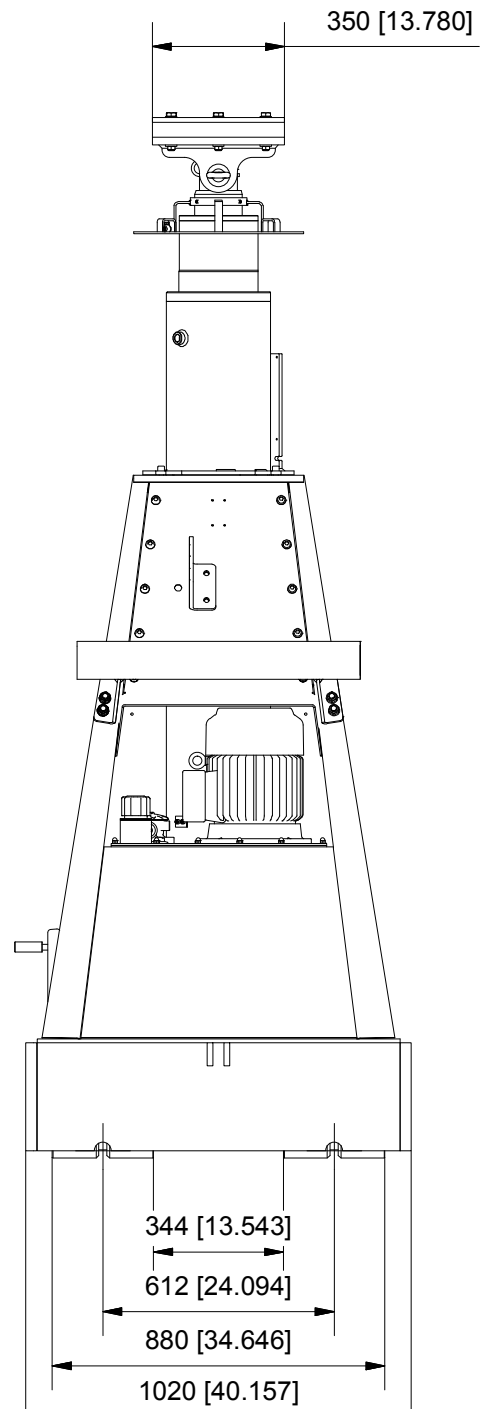
B

A

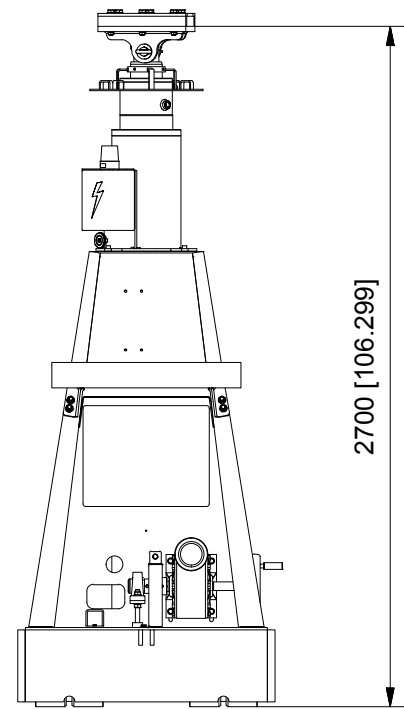
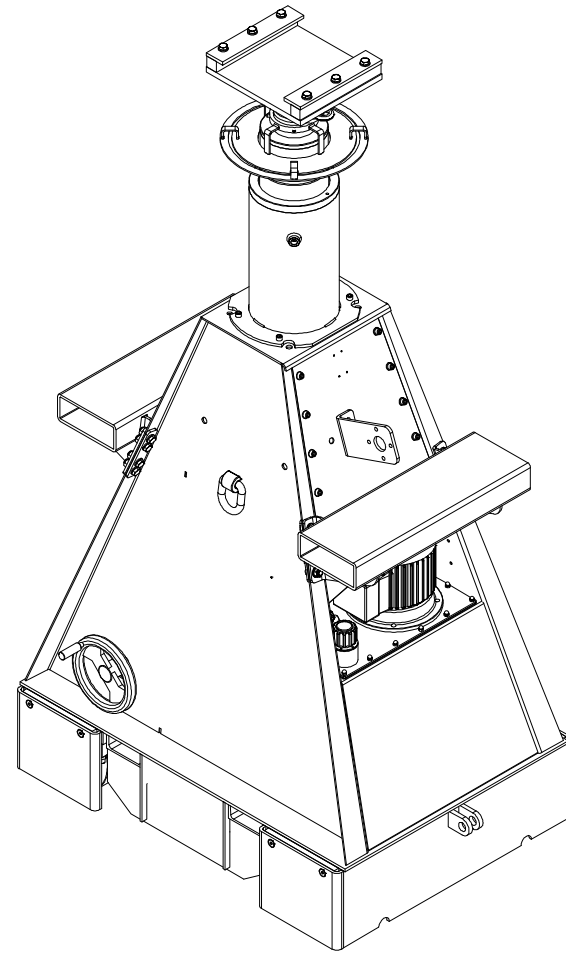


4

350 [13.780]

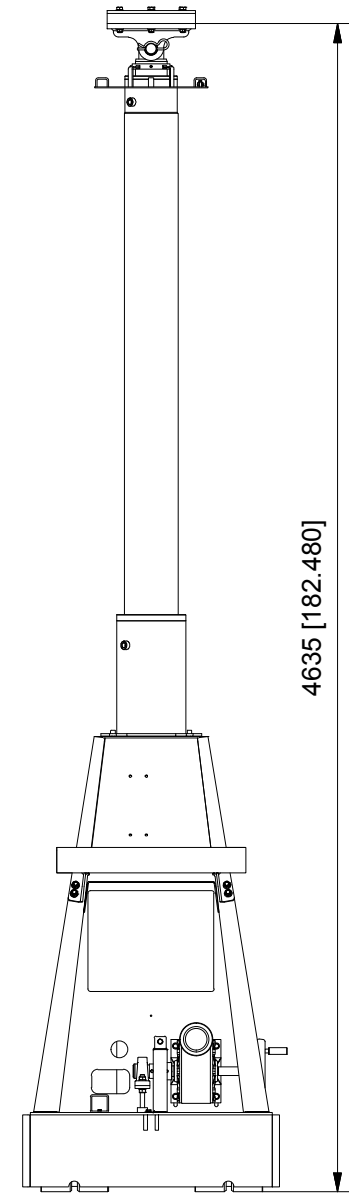


3



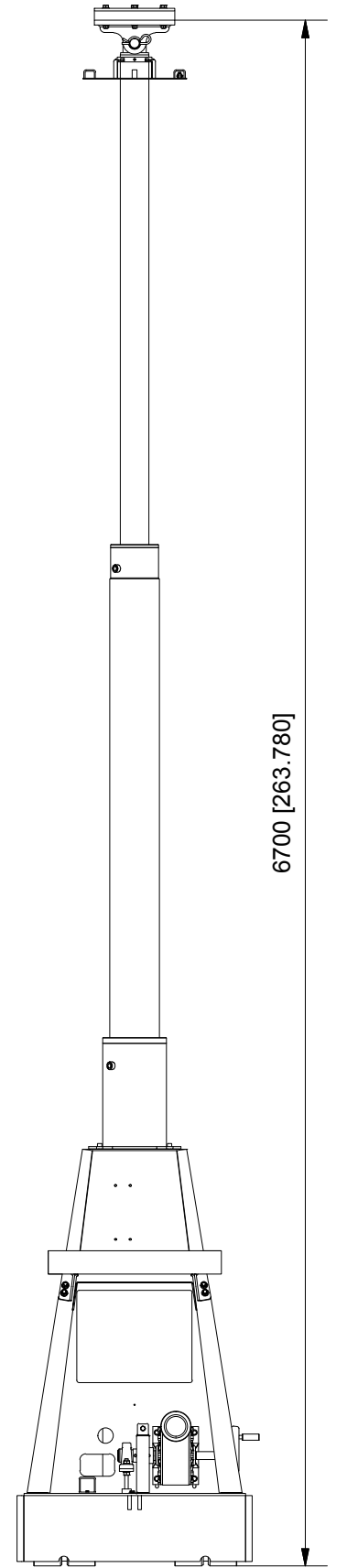
2

4635 [182.480]



1

6700 [263.780]



OPAALSTRAAT 44, 7554 TS HENGELO HOLLAND
PO BOX 421, 7550 AK HENGELO HOLLAND
TELEPHONE 074-2422045 FACSIMILE 074-2430338

ENERPAC 
COPYRIGHTS RESERVED

3rd ANGLE
PROJECTION

Model Number:

SL125

Drawing Number:

02930.50.00.00

Main Assembly Number:

02930.01.00.00

REV.: 0

DATE:

31-10-2013

SCALE:

1:20

FORM:

A3

6

5

4

3

2

1